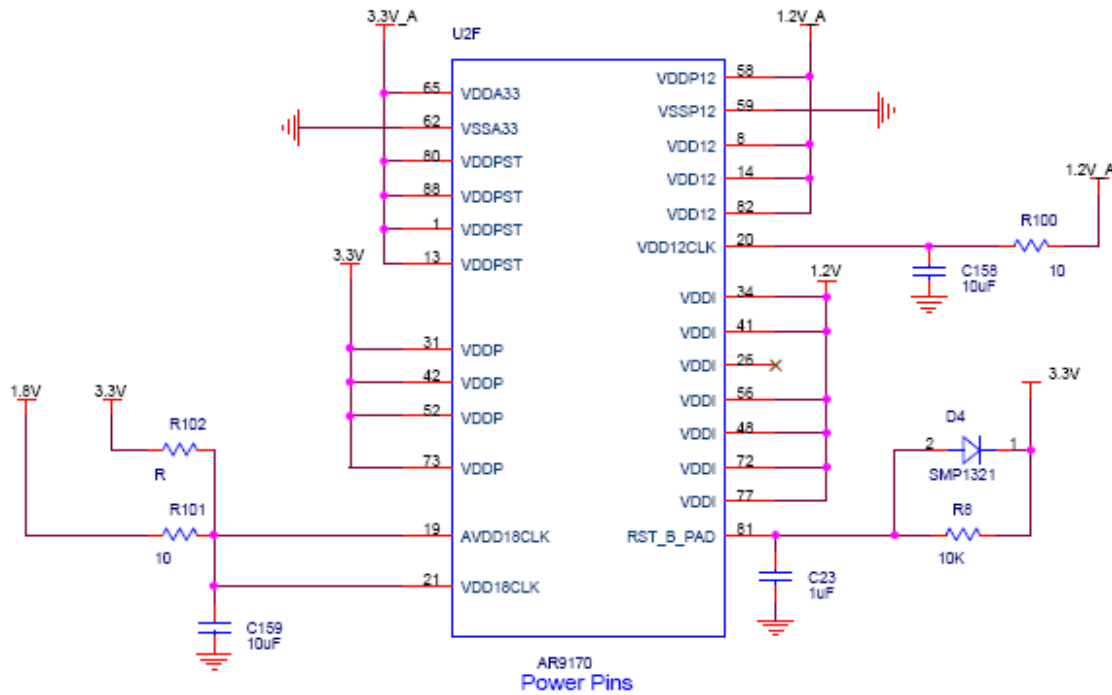
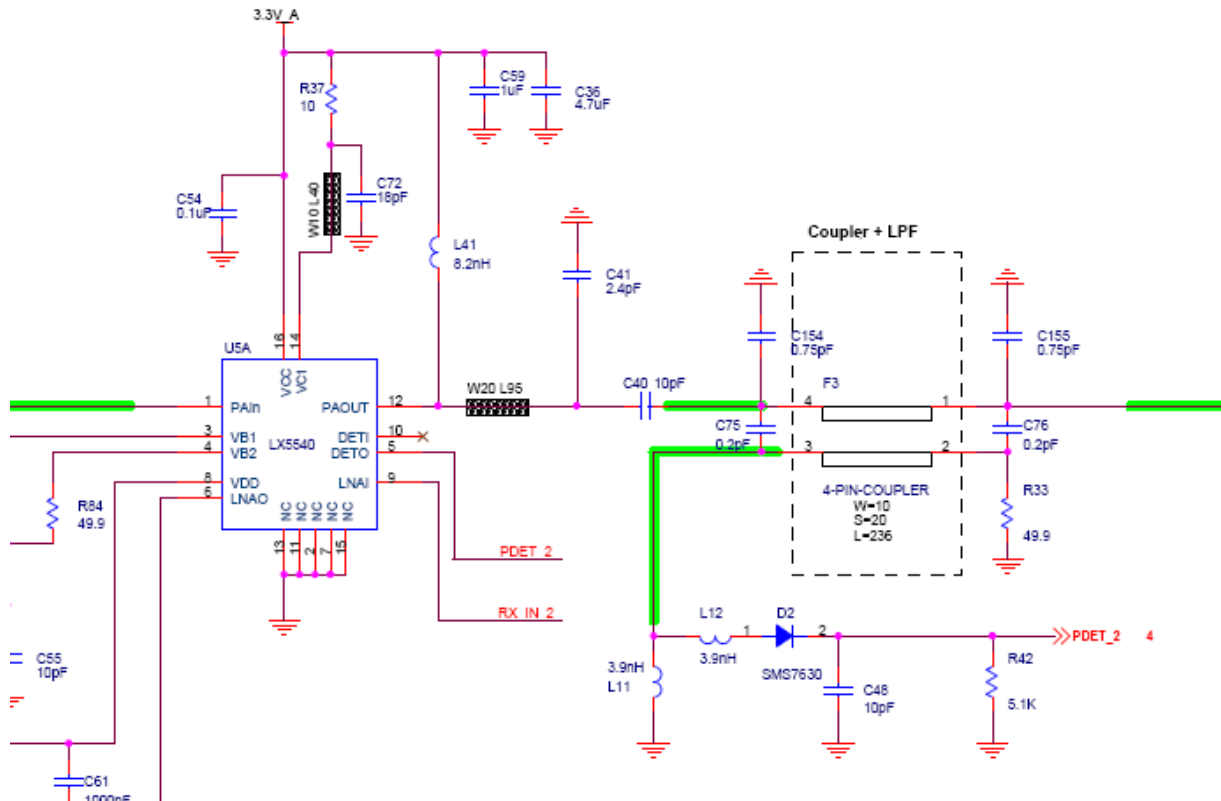


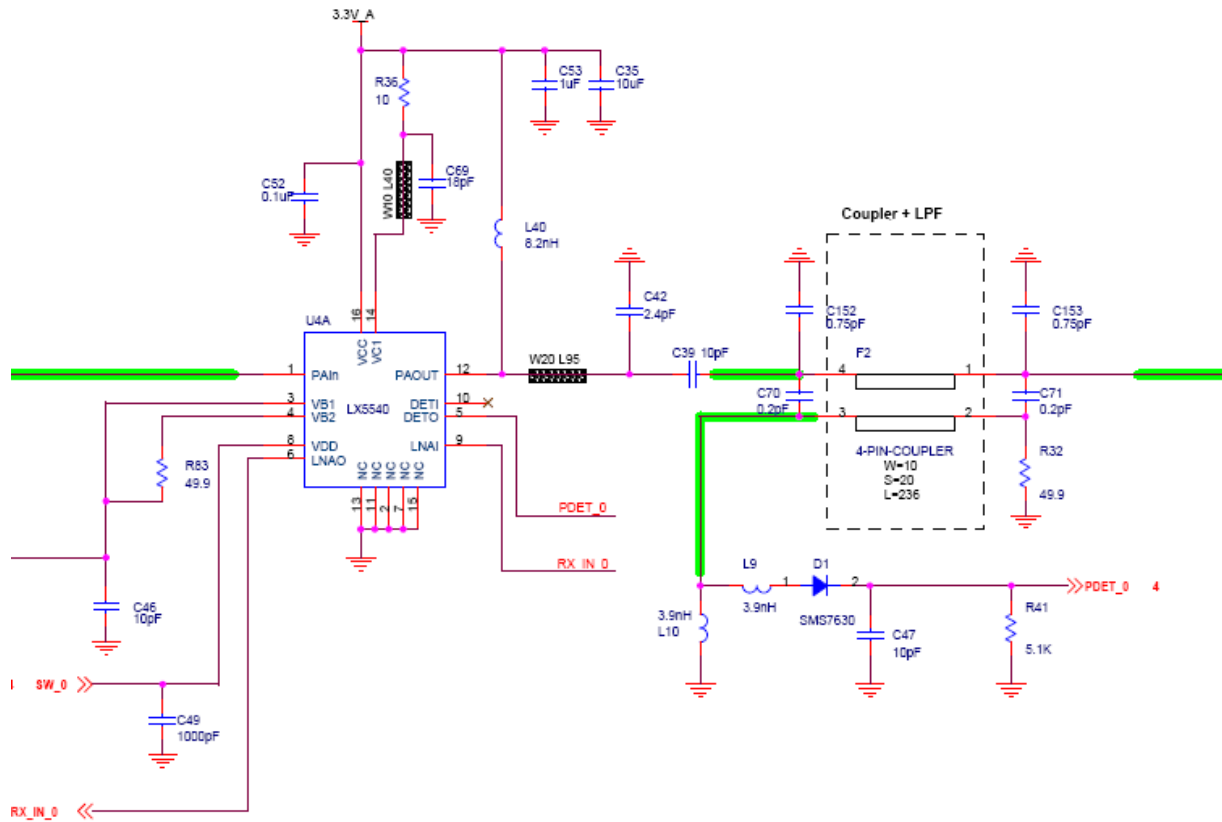
WUB1900 與 WUB1900A-V2 差異處



| | WUB1900 | WUB1900A-V2 |
|---|------------------------|-------------------------|
| 1 | D4 : SMP1321 | D4 : N/A |
| 2 | R101 : 10Ω(0402 type) | R101 : 22Ω(0402 type) |
| 3 | C159 : 10uF(0603 type) | C159 : 2.2uF(0603 type) |
| 4 | C158 : 10uF(0603 type) | C158 : 2.2uF(0603 type) |

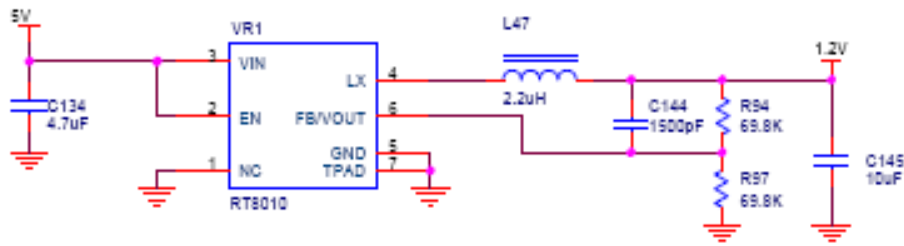


| | WUB1900 | WUB1900A-V2 |
|---|---------------------------|-------------------------|
| 1 | C75 : 0.2pF (0402 type) | C75 : N/A |
| 2 | C76 : 0.2pF (0402 type) | C76 : N/A |
| 3 | C154 : 0.75pF (0402 type) | C154 : N/A |
| 4 | C155 : 0.75pF (0402 type) | C155 : N/A |
| 5 | L41 : 8.2nH (0402 type) | L41 : 10nH (0402 type) |
| 6 | C41 : 2.4pF (0402 type) | C41 : 1.8pF (0402 type) |
| 7 | PCB | PCB Layout 修正走線 |

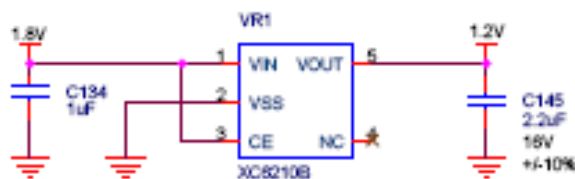


| | WUB1900 | WUB1900A-V2 |
|---|---------------------------|-------------------------|
| 1 | C70 : 0.2pF (0402 type) | C75 : N/A |
| 2 | C71 : 0.2pF (0402 type) | C76 : N/A |
| 3 | C152 : 0.75pF (0402 type) | C154 : N/A |
| 4 | C153 : 0.75pF (0402 type) | C155 : N/A |
| 5 | L40 : 8.2nH (0402 type) | L40 : 10nH (0402 type) |
| 6 | C42 : 2.4pF (0402 type) | C42 : 1.8pF (0402 type) |
| 7 | PCB | PCB Layout 修正走線 |

WUB1900



WUB1900AV2



| | WUB1900 | WUB1900A-V2 |
|---|---------------------------|--------------------------|
| 1 | VR1 : RT8010 | VR1 : XC6210B |
| 2 | C134 : 4.7uF (0402 type) | C134 : 1uF (0402 type) |
| 3 | C145 : 10uF (0805 type) | C145 : 2.2uF (0805 type) |
| 4 | C144 : 1500pF (0402 type) | N/A |
| 5 | L47 : 2.2nH (SMD) | N/A |
| 6 | R94 : 69.8K (0402 type) | N/A |
| 7 | R97 : 69.8K (0402 type) | N/A |

PS1：主要修改 PCB Layout，針對 RF 部分修改走線並調整被動零件數值，以增加 RF 抗干擾程度。

PS2：調整電源對 MAC & RF PA 的電流分配，達到降低耗電流及 IC 熱的產生。