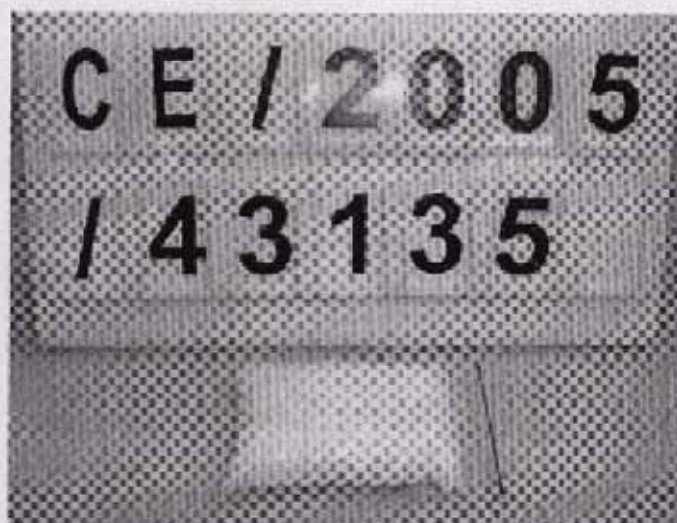


# SGS

## Test Report

WGJ COMPANY LTD.  
NO. 5, TING FU 5 TH STREET, KWEI SHAN HSIANG,  
TAOYUAN HSIEN, TAIWAN

Report No. : CE/2005/43135  
Date : 2005/04/22  
Page : 4 of 4



The content of this PDF file is in accordance with the original issued reports for reference only. This Test Report cannot be reproduced, except in full, without prior written permission of the Company.

SGS (INDUSTRIAL) LTD.

NO. 136-1, Wu-Kung Road, Wu-Ku Industrial Zone, Taipei county, Taiwan.  
Tel: 886-2-27468899 Fax: 886-2-2749 3237 www.sgs.com.tw

**TEST REPORT**

**APPLICANT**

CHI MEI CORPORATION  
No. 59-1, San Chia, Jen Te Shiang,  
Tainan County, Taiwan, R.O.C.

**SAMPLE DESCRIPTION**

One (1) group of submitted samples said to be :  
Product Description : ACRYLONITRILE-BUTADIENE-STYRENE COPOLYMER  
Style/Item No. : POLYLAC PA-709  
Color : NATURAL  
Date sample received : Oct. 19, 2004  
Date test started : Oct. 21, 2004

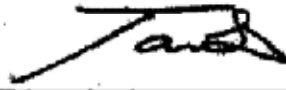
\*\*\*\*\*

**TEST CONDUCTED**

As requested by the applicant, for details please refer to attached page.

\*\*\*\*\*

Prepared and checked by :  
For Intertek Testing Services  
Taiwan Limited



Jacob Lin  
General Manager



This report shall not be reproduced except in full, without the written approval of the laboratory.

Intertek Testing Services Taiwan Ltd.  
8F., No. 423, Ruiguang Rd., Neihu District, Taipei 114, Taiwan, R.O.C.

全國公証檢驗股份有限公司  
114台北市內湖區瑞光路423號8樓  
Tel: (+886-2) 6602-2888 · 2797-8885 Fax: (+886-2) 6602-2410

**TEST CONDUCTED**

(A) Test result summary :

Testing item	Result (ppm)
	Submitted samples
Cadmium (Cd) content	ND
Lead (Pb) content	ND
Mercury (Hg) content	ND
Chromium VI (Cr <sup>6+</sup> ) content	ND
PBBs/PBDEs	ND

Remarks : ppm = Parts per million  
ND = Not detected

(B) Test method :

Testing item	Testing method	Reporting limit
Cadmium (Cd) content	With reference to EN 1122, by acid digestion and determined by ICP-OES	2 ppm
Lead (Pb) content	With reference to USEPA 3050B, by acid digestion and determined by ICP-OES	2 ppm
Mercury (Hg) content	With reference to USEPA 3052, by microwave digestion and determined by ICP-OES	2 ppm
Chromium VI (Cr <sup>6+</sup> ) content	With reference to USEPA 3060A & 7196A, by alkaline digestion and determined by UV-Vis	1 ppm
PBBs/PBDEs	With reference to USEPA 3540C, by solvent extraction and determined by GC-MSD	10 ppm

Remark : Reporting limit = Quantitation limit of analyte in sample solution

- END -



# Test Report

元祥金屬工業股份有限公司  
\*500彰化縣彰化市彰水路175號

報告號碼 : CE/2005/3569  
日期 : 2005/04/01

以下測試樣品乃供應廠商所提供及確認：

樣品名稱 : C6801  
產品型號 :  
收件日期 : 2005/03/25.  
測試日期 : 2005/03/25 TO 2005/04/01

## 測試結果

測試部位 NO.1 : 銅色金屬棒(請參照附件圖片)

測試項目:	單位	測試方法	偵測極限值	結果
				NO.1
六價鉻	ppm	依照US EPA 7196A及3060A方法	2	N.D.
鎳	ppm	依照 EN1122 方法B:3001或其他酸消化方法,用感應耦合電漿原子發射光譜儀(ICP-AES)做分析	2	N.D.
汞	ppm	依照 US EPA 3052 方法或其他酸消化方法,用感應耦合電漿原子發射光譜儀(ICP-AES)做分析	2	N.D.
鉛	ppm	依照 US EPA 3050B 方法或其他酸消化方法,用感應耦合電漿原子發射光譜儀(ICP-AES)做分析	2	66.9

備註: (1) N.D. = Not detected. (ODL) / 未檢出(低於偵測極限值)

(2) ppm = ug/kg : 百萬分之一

(3) MDL = Method Detection Limit (偵測極限值)

Daniel Yan, M.P., Operations Manager  
Signed for and on behalf of  
SGS TAIWAN LTD.

Report created by the Company subject to Sampled conditions of Service printed on test. Attention is drawn to the limitations of liability, indemnification, and/or other defined therein. The results shown in this report are only in the company's named Units otherwise stated. This Test Report cannot be used, in whole or in part, without the permission of the Company. 本報告係根據客戶提供之樣品及測試條件所產生之測試結果。本公司對於報告內容之準確性、完整性、及時性、及/或其他方面之責任，均受本報告背面所載之服務條款之限制。本報告之內容僅限於本公司所命名之單位，否則恕不負責。本報告不得全部或局部使用，未經本公司同意，否則恕不負責。

17049

Coaxial Cable Data Sheet  
RG-178

SPECIFICATION FOR APPROVAL

DOCUMENT: A30178B001

---

STYLE : 200°C 30V  
RG-178B/U

---

SIZE: 7/0.102 SCCS

---

RECOGNIZED:

---

WONDERFUL HI-TECH CO.,LTD

OFFICE : 72WU KONG 6TH ROAD,  
WU KU IND. DISTRICT  
TAIPEI HSIEN,TAIWAN

FACTORY : 17 PEI YUAN ROAD,  
CHUNG-LI IND. PARK  
TAIWAN, R.O.C.

TEL : (02)22988033  
FAX : (02)22988031-2

TEL : (03)4527777  
FAX : (03)4517214

## WONDERFUL HI-TECH CO., LTD SPECIFICATION

STYLE	200°C 30V COAXIAL	DOCUMENT NO : A30178B001	
SIZE	RG-178B/U	ESTABLISHED DATE: 2003/02/13	
STANDARD : MIL-C-17			
Conductor	Size	AWG	30
	Material	----	Silver-Coated Copper Clad Steel
	Conductors No.	----	7
	Conductors Size	mm	0.102
	O.D.	mm	0.30
Insulation	Average Thickness	mm	0.28
	Diameter	mm	0.86
	Material	----	FEP
	Color	----	Clear
Braid	Material	----	Silver-Coated Copper
	Construction	mm	16 / 3 / 0.10
	Coverage	%	95
Jacket	Average Thickness	mm	0.25
	Diameter	mm	1.80 ±0.05
	Material	----	FEP
	Color	----	Brown
Marking			
Drawing			

AK001/210X297/1.0

EDITION : 1.1

MAKER : C.Y.CHEN

CONFIRM : S.N.WONG

PAGE : 1

REVISED DATE :

APPROVAL : W.J.WANG

## WONDERFUL HI-TECH CO., LTD SPECIFICATION

Electrical & Physical Properties						
Item		RG-178B/U				
Rating Temp Voltage		200°C 30V				
Conductor Resistance		838 OHM/KM/20°C MAX.				
Insulation Resistance		3000 MEGA OHM/KM MIN.				
Dielectric Strength		AC 1.0 KV/Minute				
Spark Test		2.0 KV				
Insulation	Unaged	Tensile Strength	2500 PSI MIN.( 1.76 Kg / m m <sup>2</sup> )			
		Elongation	200% MIN.			
	Aged	Tensile Strength	UNAGED MIN 75%(168HRS×232°C)			
		Elongation	UNAGED MIN 75%(168HRS×232°C)			
Jacket	Unaged	Tensile Strength	2500 PSI MIN.( 1.76 Kg / m m <sup>2</sup> )			
		Elongation	200% MIN.			
	Aged	Tensile Strength	UNAGED MIN.75%(168HRS×232°C)			
		Elongation	UNAGED MIN.75%(168HRS×232°C)			
Nom. Impedance		50 Ohms				
Nom. Capacitance		95.8 pF/m				
Nom. Vel. of Prop.		69.5%				
VSWR (0 – 6 GHZ)		UNDER 1.3				
Attenuation (dB/100m)	100MHz	1GHz	1.8GHz	2.4GHz	5.2GHz	6GHz
	46	155	295	340	505	550

AK001/210X297/1.0

PAGE : 2

EDITION : 1.1

MAKER : C.Y.CHEN

CONFIRM : S.N.WONG

REVISED DATE :

APPROVAL : W.J.WANG





## Test Report

WONDERFUL HI-TECH CO., LTD.  
NO. 17, PEI-YUAN ROAD., CHUNG-LI IND, PARK,  
TAOYUAN TAIWAN, R. O. C.

Report No. : CE/2004/C1640  
Date : 2004/12/16  
Page : 1 of 3

The following merchandise was (were) submitted and identified by the client as :

Type of Product : RG-178 B/U SERIES  
Sample Received : 2004/12/09  
Testing Date : 2004/12/09 TO 2004/12/16

---

Test Result : - Please see the next page -

  
Daniel Yen, M.P. Operation Manager  
Signed for and on behalf of  
SGS TAIWAN LTD.

The content of this PDF file is in accordance with the original issued reports for reference only. This Test Report cannot be reproduced, except in full, without prior written permission of the Company.





# Test Report

WONDERFUL HI-TECH CO., LTD.  
 NO. 17, PEI-YUAN ROAD., CHUNG-LI IND. PARK,  
 TAOYUAN TAIWAN, R. O. C.

Report No. : CE/2004/C1640  
 Date : 2004/12/16  
 Page : 2 of 3

## Test Result

PART NAME NO.1 : TRANSPARENT REP JACKET(PLEASE REFER TO THE PHOTO ATTACHED)

Test Item (s):	Unit	Method	MDL	Result			
				No.1			
PBBs(Polybrominated biphenyls)(CAS NO:059536 65-1)	%	With reference to USEPA3540 or USEPA3550. Analysis was performed by HPLC/DAD, LC/MS or GC/MS. (prohibited by 2002/95/EC (RoHS), 83/264/EEC, and 76/769/EEC)	0.0005	N.D.			
PBDEs(PBDEs)(Polybrominated biphenyl ethers)	%	With reference to USEPA3540 or USEPA3550. Analysis was performed by HPLC/DAD, LC/MS or GC/MS. (prohibited by 2002/95/EC (RoHS), 83/264/EEC, and 76/769/EEC)	0.0005	N.D.			

Test Item (s):	Unit	Method	MDL	Result			
				No.1			
Chromium VI (Cr-6)	ppm	As per US EPA 7196A and US EPA 3060A.	2	N.D.			
Cadmium (Cd)	ppm	ICP-AES after as per FN 1122, method B:2001 or other acid digestion.	2	N.D.			
Mercury (Hg)	ppm	ICP-AES after as per US EPA 3052 or other acid digestion.	2	N.D.			
Lead (Pb)	ppm	ICP-AES after as per US EPA 3050B or other acid digestion.	2	N.D.			

NOTE: (1) N.D. = Not detected (<MDL)  
 (2) ppm = mg/kg  
 (3) MDL = Method Detection Limit

The content of this PDF file is in accordance with the original issued reports for reference only. This Test Report cannot be reproduced, except in full, without our written permission. 7/14/03/1640ry



## Test Report

WONDERFUL HI-TECH CO., LTD.  
NO. 17, PEI-YUAN ROAD., CHUNG-LI IND. PARK,  
TAOYUAN TAIWAN, R. O. C.

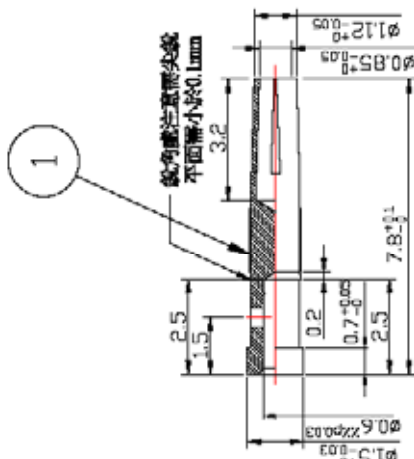
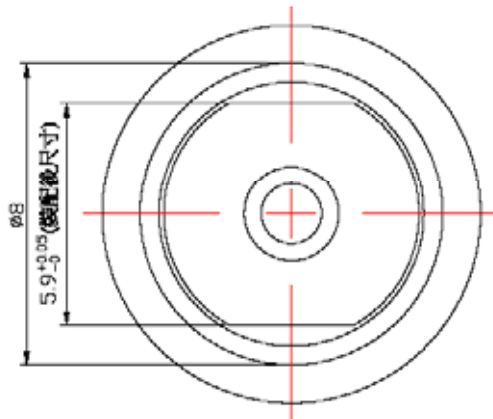
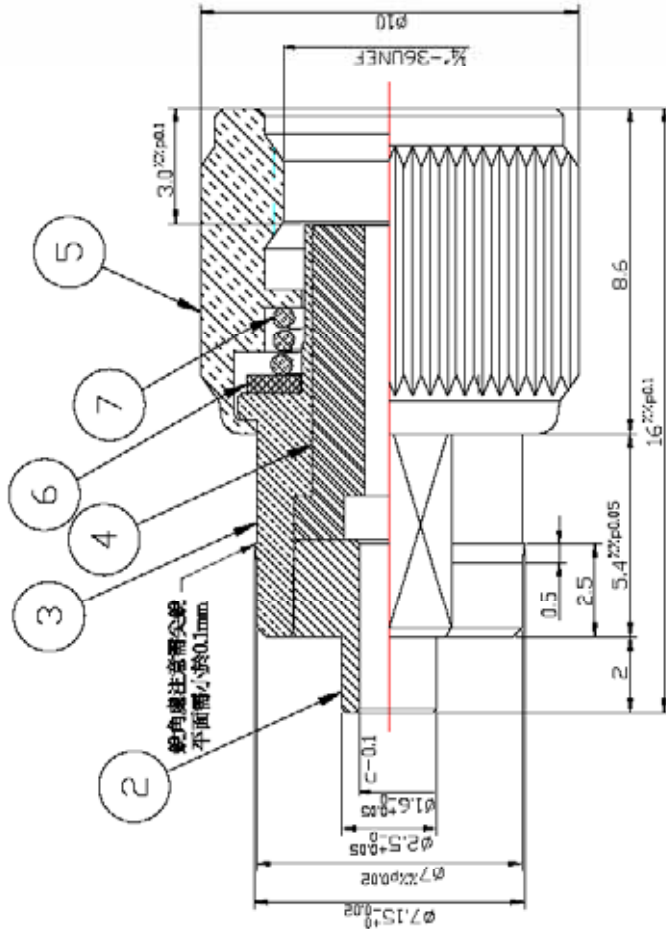
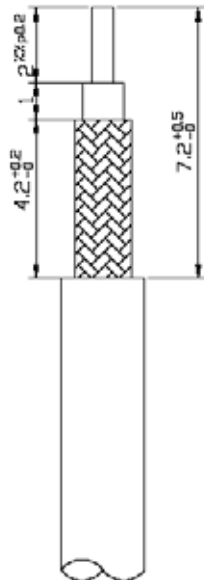
Report No. : CE/2004/C1640  
Date : 2004/12/16  
Page : 3 of 3



The content of this PDF file is in accordance with the original issued reports for reference only. This Test Report cannot be reproduced, except in full, without prior written permission of the Company.

# B.O.M

Item.	Name	Material.	QTY	Surface	Note.
1	Center Pin	磷青銅	1	鍍金	
2	ferrule	快鎢銅	1	鍍銀	
3	Body	快鎢銅	1	鍍黑鎳	
4	Insulator	鐵氟龍	1		
5	Shell	快鎢銅	1	鍍黑鎳	
6	Gasket	二硫化鉬	1		
7	Spring	琴鋼線	1	度鍊	



尺寸公差	B	C	D	E	角度公差	±3°
1.0	±0.025	±0.05	±0.1	±0.25	Angular	
1.0-2.0	±0.03	±0.06	±0.13	±0.3	Tolerance	
2.0-4.0	±0.04	±0.08	±0.16	±0.4		
4.0-8.0	±0.05	±0.1	±0.2	±0.5	100 ↓	±0.8
8.0-16	±0.06	±0.13	±0.25	±0.6	50-100	±0.5
16-31.5	±0.08	±0.16	±0.3	±0.8		
31.5-50	±0.1	±0.2	±0.4	±1.0		
50-125	±0.13	±0.25	±0.5	±1.25		
125-250	±0.16	±0.3	±0.6	±1.6		
250-500	±0.2	±0.4	±0.8	±2.0		
500 ↑	±0.25	±0.5	±1.0	±2.5	5 ↓	±0.2

客戶	名晨電子股份有限公司 MY-CHANCE ELECTRONIC CO.,LTD				機殼	SMA-PR15001	單位	mm	材質	表面	日期	2004/5/12	審核	繪圖	日期	版本	Yang	說明	繪圖	審核
					圖號	SMA-PR15001	比例	5:1	表面	5:1	日期	2004/5/12	審核	繪圖	日期	版本	Yang	說明	繪圖	審核
					名稱	SMA connector	公差	B			日期	2004/5/12	審核	繪圖	日期	版本	Yang	說明	繪圖	審核

## SMA Series

### ELECTRICAL

* Impedance	50 ohm
* Frequency	0-12.4 GHz on Flexible cable. 0-18 GHz on Semi-rigid cable
* Working Voltage	RG-178: 170 VRMS max. at see level RG316, 0.085": 250 VRMS max. at see level RG-142, 0.141": 335 VRMS max. at see level
* Dielectric Withstanding Voltage	RG-178: 500 VRMS min. at see level RG316, 0.085": 750 VRMS min. at see level RG-142, 0.141": 1000 VRMS min. at see level
* VSWR	Straight: 1.3 max. Right Angle: 1.5 max.
* Contact resistance	Center Contact: 6 Milliohms Max. Outer Contact: 2 Milliohms Max.
* Insulator Resistance	5000 megohms min.

### MATERIAL

Parts Name	Material	Finish
* Body, metal parts	Brass per QQ-B-626 or Non-magnetic stainless steel per QQ-S-764 # 303	Nickel or BCr. per requirement
* Center Contacts	Male: Brass per QQ-B-626 Female: Phosphor Bronze Bars QQ-C-530	Gold plated Gold plated
* Insulators	PTFE	None
* Gasket	Silicone Rubber	None
* Crimp Ferrules	Annealed copper	Nickel or per requirement

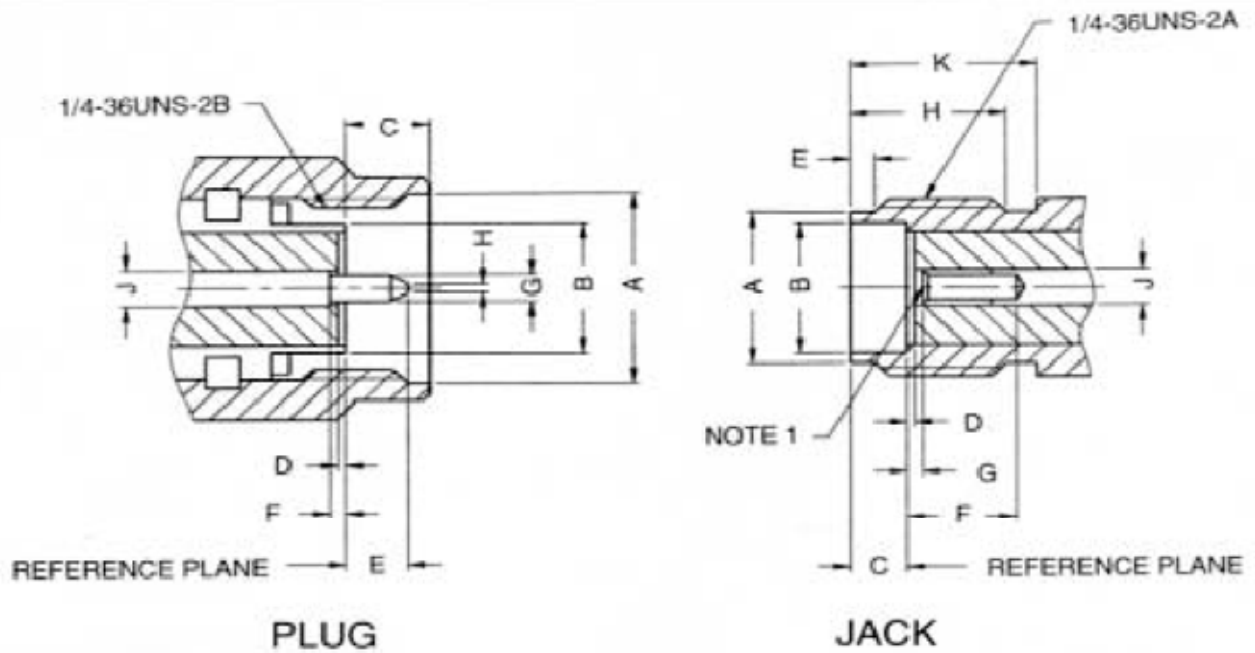
**Note:** Other Material / Finish is Available on Request.

### MECHANICAL

* Engagement Force	2 in- lbs. Max.
* Disengagement Force	2 in- lbs. Max
* Coupling Nut Retention	60 lbs. Min.
* Coupling Proof Torque	15 in-lbs. Min.
* Contact Retention	6 lbs. Min.
* Durability (Mating)	500 cycles min.

# SMA COAXIAL CONNECTOR

## INTERFACE MATING DIMENSIONS



Letter	Millimeters	
	Minimum	Maximum
A	6.35	6.73
B	4.53	4.59
C	2.54	3.43
D	0.00	0.25
E	1.91	2.54
F	0.00	0.25
G	0.90	0.94
H	0.00	0.38
J	1.24	1.30

Letter	Millimeters	
	Minimum	Maximum
A	5.28	5.49
B	4.60	4.67
C	1.88	1.98
D	0.00	0.25
E	0.38	1.14
F	2.92	-
G	0.00	0.25
H	4.32	-
J	1.24	1.30
K	5.54	-

NOTE: 1. I.D. TO MEET VSWR AND CONTACT RESISTANCE WHEN MATED WITH .9/94MM DIA. PIN.