

APPENDIX A: PHOTOS OF THE DUT

Size of the device is: H:180 x W:76 x D:35 mm

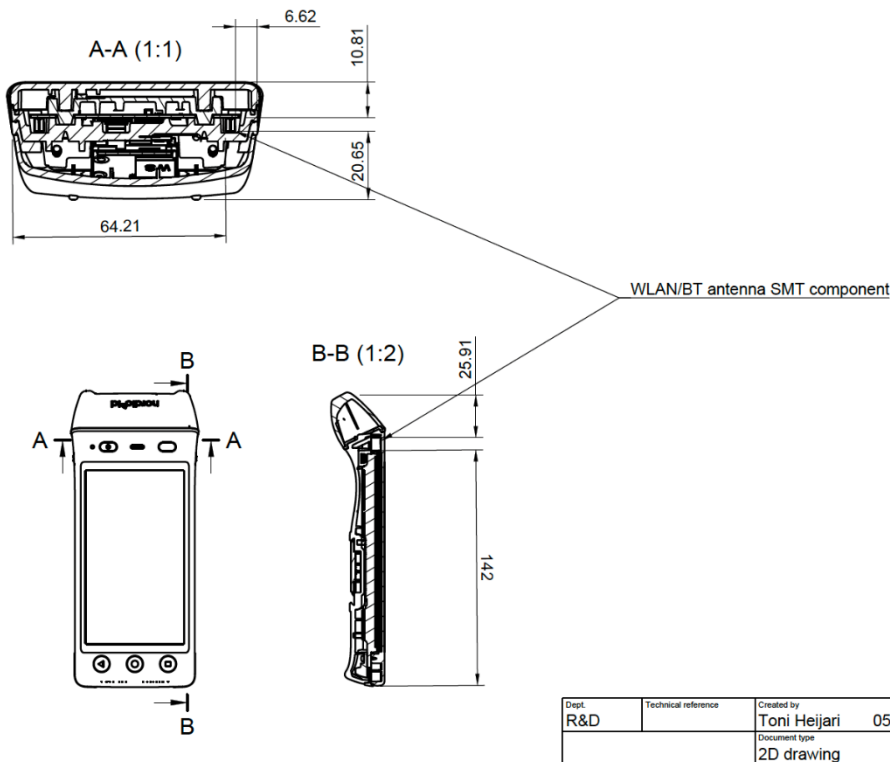
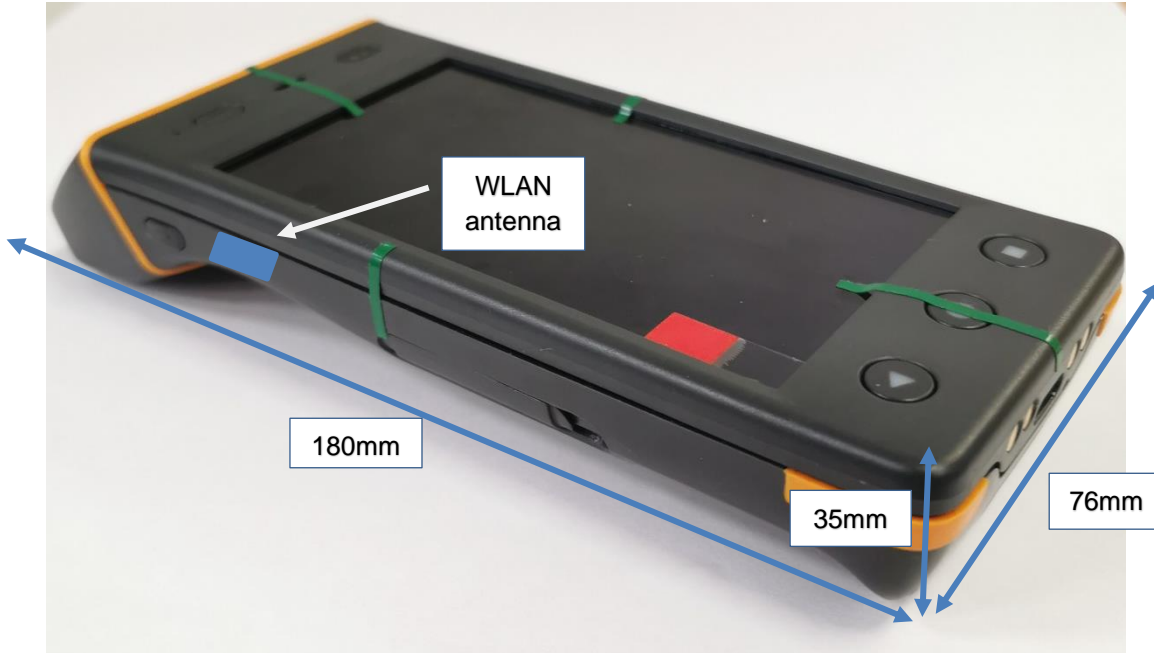




Figure 1. Front side of the device



Figure 2. Back side of the device



Figure 3. Left side of the device



Figure 4. Right side of the device



Figure 5. Top of the device



Figure 6. Bottom of the device



Figure 7. The left side of the device, 0mm.



Figure 8. Front side of the device, 0mm.

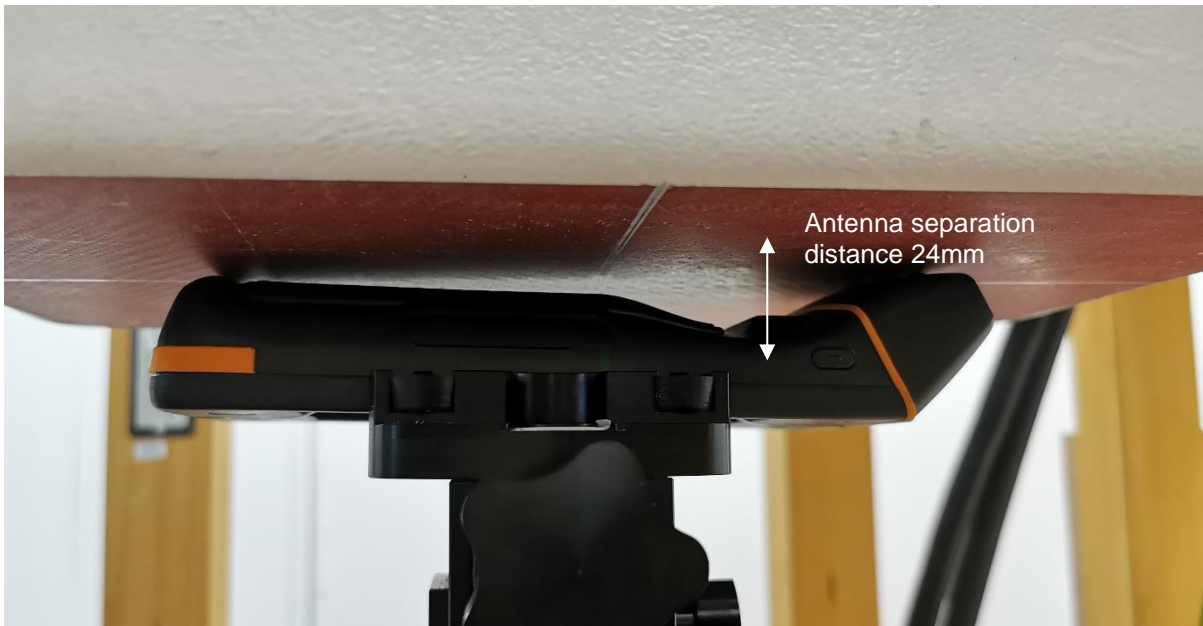


Figure 9. Back side of the device, 0mm.



Figure 10-11. Left Cheek



Figure 12-13. Left Tilt



Figure 14-15. Right Cheek



Figure 16-17. Right Tilt