

BRADY XA20 UHF RFID Antenna

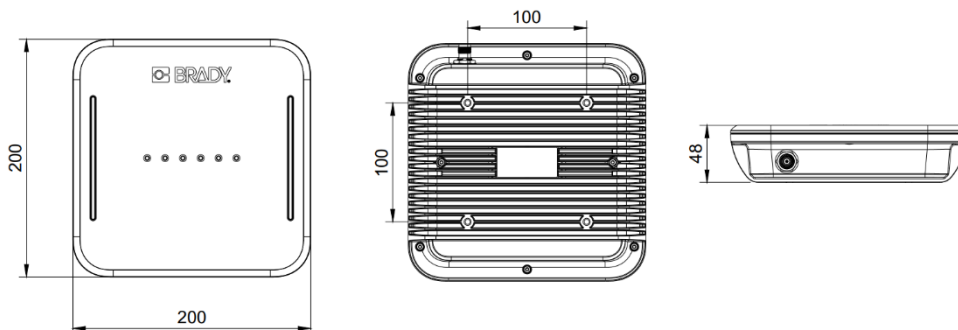


To extend the coverage of the Brady IRX200 reader one can connect the Brady XA20 external UHF RFID antenna to the reader. Antenna offers the same excellent performance as the integrated UHF RFID antenna of the IRX200.

Brady XA20 has circular polarization with very good axial ratio increasing the read reliability.

Product highlights

- Cutting edge UHF RFID performance
- Shock and vibration tested mechanics with IP67 ingress protection
- High gain with low axial ratio
- RP-TNC RF connector for robust connection



UHF RFID	
Frequency	ETSI 865.6-867.6 MHz or FCC/IC 902-928 MHz
Maximum gain	+7.5dBic
3dB beamwidth	70°
Front-to-back ratio	12dB
Axial ratio	<1dB
Maximum input power	2W
RF connector	RP-TNC
ENVIRONMENT	
Mounting type	VESA100 compatible (screws not included)
Operating Temperature	-20°C - 55°C
Storage Temperature	-40°C - 85°C
Ingress Protection Rating	IP67
Shock and vibration	EN60068-2-27, EN60068-2-6
SIZE AND WEIGHT	
Dimension	200 mm (W) x 200 mm (H) x 48 mm (D)
Weight (kg)	0.95 kg

