

**SONOS**

**S36**

**User Guide**

THIS DOCUMENT CONTAINS INFORMATION THAT IS SUBJECT TO CHANGE WITHOUT NOTICE.

No part of this publication may be reproduced or transmitted in any form or by any means, electronic or mechanical, including but not limited to photocopying, recording, information retrieval systems, or computer network without the written permission of Sonos, Inc. Sonos and all other Sonos product names and slogans are trademarks or registered trademarks of Sonos, Inc. Sonos Reg. U.S. Pat. & Tm. Off.

Sonos products may be protected by one or more patents. Our patent-to-product information can be found here:

[sonos.com/legal/patents](https://sonos.com/legal/patents)

AirPlay®, Apple Music™, FairPlay®, iPad®, iPhone®, iPod®, iTunes®, and OS X®, are trademarks of Apple Inc., registered in the U.S. and other countries.

Works with Apple Airplay.

"Made for iPod", "Made for iPhone", and "Made for iPad" mean that an electronic accessory has been designed to connect specifically to iPod, iPhone, or iPad, respectively, and has been certified by the developer to meet Apple performance standards. Apple is not responsible for the operation of this device or its compliance with safety and regulatory standards. Please note that the use of this accessory with iPod, iPhone, or iPad may affect wireless performance.

Windows® is a registered trademark of Microsoft Corporation in the United States and other countries.

Android™ is a trademark of Google, Inc.

Manufactured under license from Manufactured under license from Dolby Laboratories. Dolby, Dolby Atmos and the double-D symbol are trademarks of Dolby Laboratories.

Amazon, Kindle, Kindle Fire, Echo, Alexa, and all related logos are trademarks of Amazon.com, Inc. or its affiliates.

Google and Google Home Mini are trademarks of Google LLC.

Bluetooth® is a registered trademark of Bluetooth SIG, Inc.

The terms HDMI and HDMI High-Definition Multimedia Interface, and the HDMI logos are trademarks or registered trademarks of HDMI Licensing LLC in the United States and other countries.

Sonos uses MSNTP software, which was developed by N.M. Maclaren at the University of Cambridge.

© Copyright, N.M. Maclaren, 1996, 1997, 2000; © Copyright, University of Cambridge, 1996, 1997, 2000.

All other products and services mentioned may be trademarks or service marks of their respective owners.

May 2021

©2021 by Sonos, Inc. All rights reserved.

# Getting started

Here's what you'll need:

- **WiFi**—have your network name and password ready.
- **Mobile device**—connected to the same WiFi. You'll use this for setup.
- **Sonos S2 app**—you'll use it to set up and control your Sonos system—choose what to play, where to play it, and how loud. Install the app on the mobile device you're using for setup. (If you're upgrading from the Sonos S1 app, you can remove S1 from your device after you upgrade.)
- **A Sonos account**—If you don't have an account, you'll create one during setup. [Learn more](#) about Sonos accounts.

**Note:** [Get more information](#) about the latest Sonos system requirements.

## New to Sonos?

Download the app from the app store on your mobile device. Open the app and we'll guide you through setup.

Once your Sonos system is set up, you can use your computer to control the music, too. Get the app for your PC or Mac at [www.sonos.com/support](http://www.sonos.com/support).

[Get more information](#) about the latest system requirements and compatible audio formats.

## Setup options


Setting up Sonos on your home WiFi is the answer for most homes.

If your WiFi is slow, doesn't reach all the rooms where you want to use Sonos, or is already in high demand you can connect a Sonos product to your router with an Ethernet cable to create a separate wireless network just for your Sonos system.

**Note:** Your Sonos products and the mobile device with the Sonos app need to be on the same WiFi network.

You can [switch](#) between wired and wireless setup if something changes in your home. [Learn more](#) about setting up your Sonos products.

## Already have Sonos?

You can easily add a new Sonos product anytime—just plug it in, open the Sonos app on your mobile device, and tap  > **System** > **Add Product**.

## Add a different Sonos system

Sonos allows quick and easy access to any Sonos system. When you add another Sonos system in the app, it will automatically connect as you move from one place to another so you can enjoy Sonos at home, at a friend's, or at your vacation house without missing a beat.

[Learn more](#) about connecting to an existing Sonos system in a different location.

[Learn more](#) about setting up a new Sonos system in a new location.

# Explore our products

Sonos products work together seamlessly. It's easy to add speakers and expand your system as your home changes.

## Speakers for your music

The perfect wireless speaker for any room in your home. You can even stereo pair two speakers (same model) in a room—turn each one into separate left and right channels for wider, bigger, and deeper sound.

- **Move:** durable smart speaker for indoor and outdoor listening.
- **One:** smart speaker with built-in voice control.
- **One SL:** compact speaker to use as a stereo pair or as surrounds for your home theater.
- **Five:** biggest home speaker with boldest sound.
- **S27:** portable smart speaker to take on the go.

## Speakers for your TV

Sonos products for your TV provide full-theater sound and play music too. Enhance your home theater experience by adding a Sub, a pair of surrounds, or both.

- **Arc:** premium smart soundbar for TV, movies, music, gaming, and more. Place on furniture or wall mount.
- **Beam:** smart compact soundbar, perfect for small to medium-sized rooms. Place on furniture or wall mount.
- **Playbase:** widescreen sound and music streaming, created especially for TVs on stands or furniture. Low profile design practically disappears under your TV.
- **Playbar:** powerful soundbar, perfect for use above or below wall-mounted TVs, or lay it flat on a table or console.
- **Sub:** add dramatically deeper bass to any Sonos speaker, for home theater and music.

## Stereo upgrades

Convert existing speakers, stereos, and home theater into music streaming systems with an amplifier.

- **Amp:** versatile amplifier for powering all your entertainment.
- **Port:** flexible streaming component for your stereo or receiver.


## Accessories

Find the perfect **accessory** for your Sonos system on our website.

- If your existing WiFi isn't reliable enough for streaming music, you can purchase a Sonos **Boost**.
- Wall mount kits or stands tailored to perfectly fit your Sonos products.
- Turntables to bring vinyl to your Sonos system.
- Cables and more.

# S36

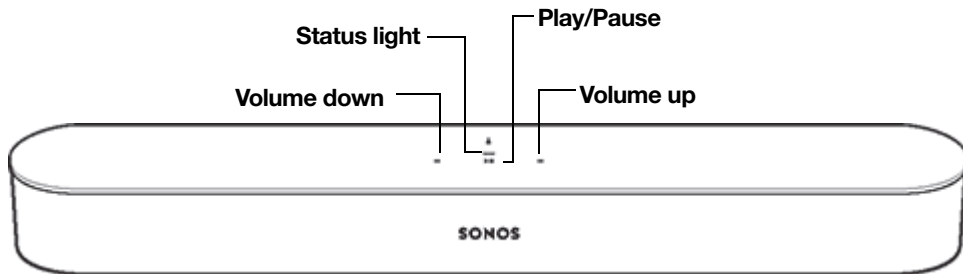
The smart, compact soundbar for your TV—



- Play anything—music, TV, movies, podcasts, radio, audiobooks, and video games.
- Perfect size to wall-mount above or below your TV, or place on a credenza.
- Great for small to medium-sized rooms.
- Quick and easy setup, with only one cable to connect to your TV.
- Expandable. Add a Sub and two Sonos speakers, like Sonos One SLs, for 5.1 surround sound. For more information, see [Sonos home theater](#).
- Works with Sonos S2 .
- See [Getting started](#) when you're ready to add a S36 to your Sonos system.


## Controls and lights

Swipe, touch, or tap—with S36 you've got choices on how to control sound.

- Use the touch controls—touch or swipe across the controls.
- Use the app.
- Use your TV remote control.

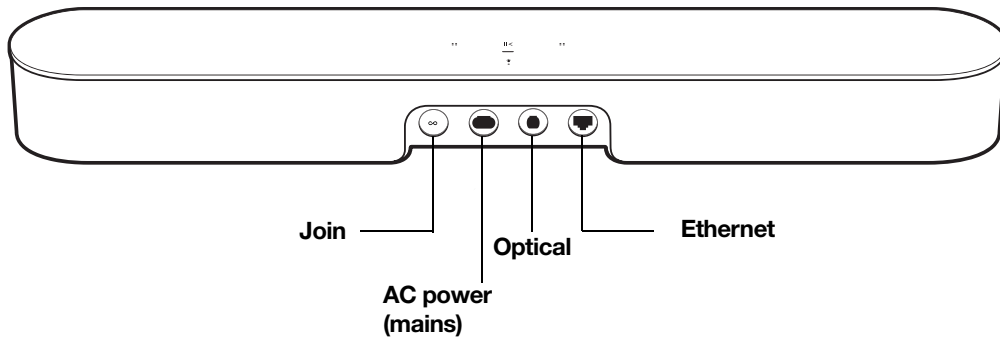


	<p><b>Volume control</b></p>	<p>Touch for small adjustments or touch and hold to quickly change the volume:</p> <ul style="list-style-type: none"> <li>• <b>Volume up</b> (right)</li> <li>• <b>Volume down</b> (left)</li> </ul> <p><b>Note:</b> You can also use the Sonos app or your TV's remote control.</p>
	<p><b>Play/Pause</b></p>	<p>Touch to play or pause sound.</p>

	<p><b>Next/Previous</b> (Music only)</p>	<ul style="list-style-type: none"> <li>• Swipe right across the touch controls to skip to the next song.</li> <li>• Swipe left to go to the previous song.</li> </ul> <p><b>Note:</b> You can't skip forward or go back when listening to a radio station.</p>
<p><b>Status light</b></p>	<p>Indicates the status. <a href="#">Learn more</a> If the light is distracting, you can turn it off in your room's settings.</p>	

**Note:** If you don't want anyone (like a child) to control playback or change the volume using the speaker touch controls, you can disable them in the room's settings.

## Connector panel



<p><b>Join button</b></p>	<p>Press to connect during setup.</p>
<p><b>AC power (mains) input</b></p>	<p>Use only the supplied power cord (using a third-party power cord will void your warranty).</p>
<p><b>Optical port</b></p>	<p>Use to connect the soundbar to your TV.</p>
<p><b>Ethernet port</b></p>	<p>Use an Ethernet cable if you want to connect to a router, computer, or network-attached storage (NAS) device (optional).</p>

## Select a location

You can mount S36 to a wall above or below your TV or place it on a credenza.

### Place on a credenza

- Place horizontally on a stable and level surface at least 2" (50mm) from the TV.
- Don't place vertically or on its side.
- Don't block the TV's IR sensor.
- If put on a shelf, place at the front and keep 2" (minimum) clearance on both sides for best sound quality.
- Keep 1" (25mm) space (minimum) above S36 so you can reach the touch controls.

## SONOS USER GUIDE

- For best sound quality, keep both ends of S36 at least 1' (30cm) from a wall or other obstruction.

### Wall mount

To put S36 on a wall, see [Wall mount](#).

## Connect the cables

### Before you start

1. Disconnect existing home theater or surround sound equipment from your TV.
2. Connect any external devices, like a cable box or DVD player, directly to your TV.

### Connect the power cord

1. Insert the power cord firmly into S36's AC (mains) power port until it is fully connected.
2. Plug the other end of the power cord into an AC (mains) power source.

**Caution:** Use only the supplied power cord (using a third-party power cord will void your warranty).

### Connect S36 to your TV

Use the included optical cable to connect the soundbar to your TV.

1. Remove the protective cap from the optical cable.
2. Fully insert the optical audio cable into S36's optical port.
3. Connect the other end to the TV's optical digital OUT port.

**Note:** The optical adapter's port is "D-shaped"—make sure the connector aligns correctly into the port. Inserting the adapter incorrectly may damage the cable.

If you don't have the free Sonos S2 app, download it from the app store. You'll use it to set up and control your Sonos system. See [Getting started](#).

## Wall mount

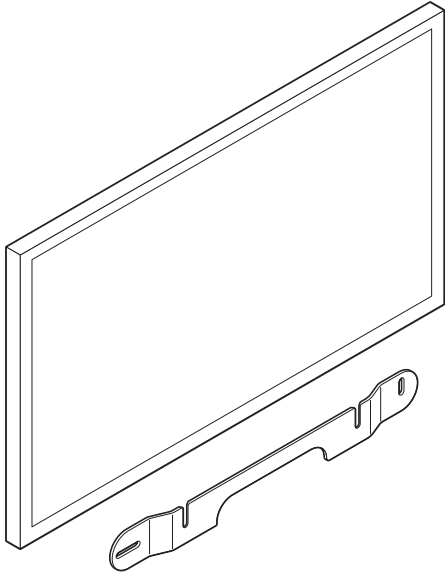
### Guidelines

- Use the S36 wall mount kit. You can buy it on [www.sonos.com](http://www.sonos.com). Follow the instructions in the kit.
- Keep 1" (25mm) space (minimum) above S36 so you can reach the touch controls.
- If you're mounting above the TV, make sure you can reach the touch controls.
- For best sound quality, keep both ends of S36 at least 1' (30cm) from a wall or other obstruction.

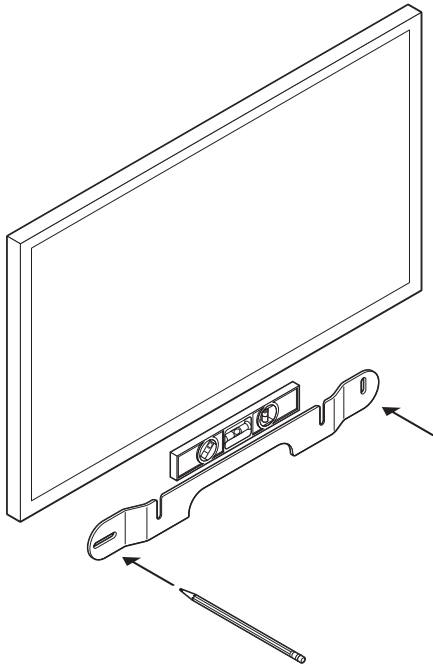
### Mount kit contents

- Wall mount bracket
- 4 wall anchors
- 4 wall screws
- 2 screws

## SONOS USER GUIDE

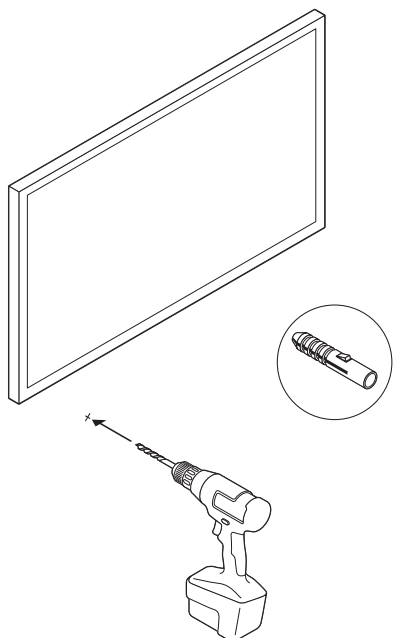


1. If your TV is wall-mounted, align the top edge of the bracket with the bottom of your TV, leaving at least 2.5 inches (mm) between them.

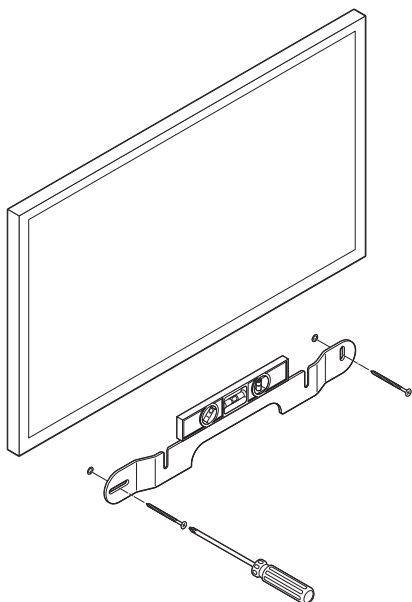


2. Mark the screw locations and remove the bracket.

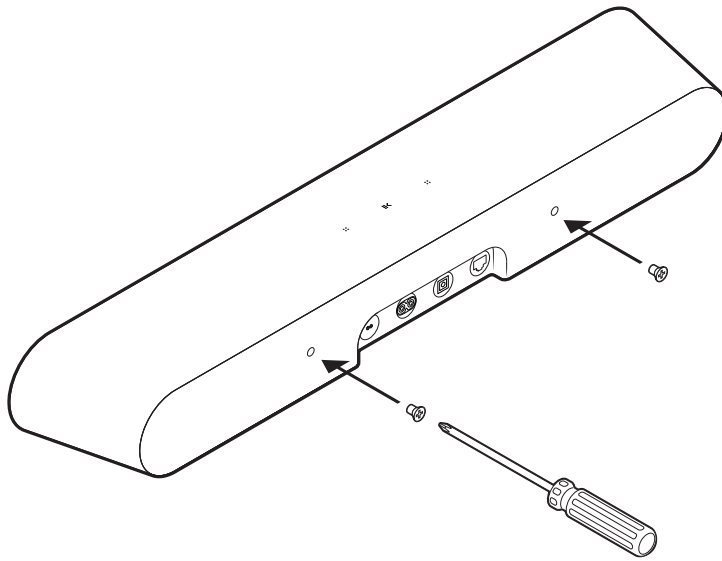




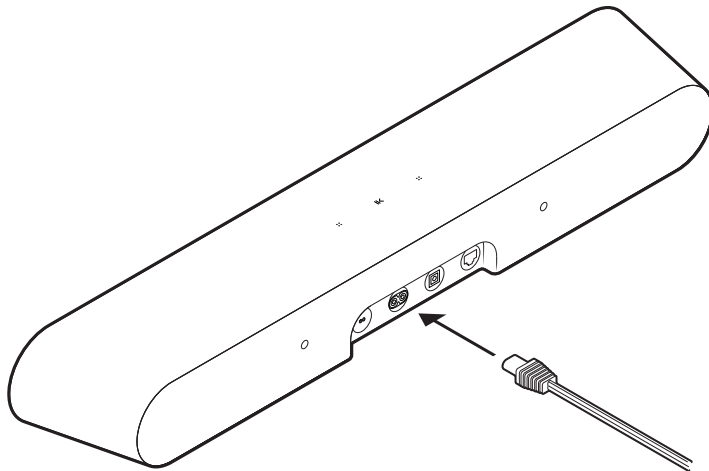
- 3. If you're using wall anchors, use a 5/16" drill bit to drill pilot holes, starting with the hole on the left. Then insert the wall anchors. Don't use wall anchors if you're drilling into wood or plastic (see **Wall mounting information**).



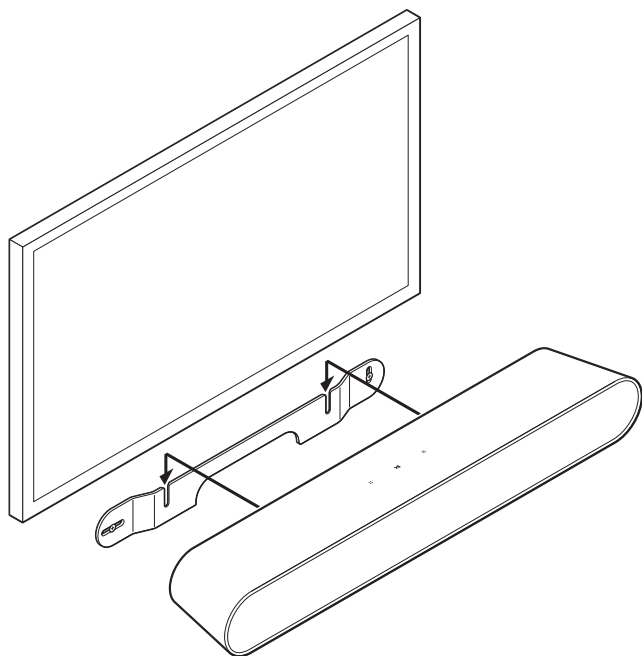
- 4. Position the wall mount bracket over the screw locations, using a level to confirm accuracy. Use a Phillips-head screwdriver or a power drill to screw the bracket to the wall, making sure the center notch is pointing up.



5. Using a Phillips head screwdriver, fasten the 2 attachment screws to the back of the soundbar, making sure they are fully tightened.



6. Remove the protective cap from the optical cable, then connect the power and optical cables to the back of the soundbar.



7. Slide the soundbar down so the attachment screws fit into the slots on the wall bracket.

**Wall mounting information**

Wall Material	Pre Drill	Use Wall Anchors	Use Screws
Wood Stud	1/8" / 3 mm bit	No	Yes
Drywall (no stud)	5/16" / 8 mm bit	Yes	Yes
Hard wallboard or double board	5/16" / 8 mm bit	Yes	Yes
Plaster	5/16" / 8 mm bit	No, requires toggle bolt	Yes
Concrete or Brick	5/16" / 8 mm bit	Yes	Yes

## Specifications

Feature	Description
<b>Audio</b>	
<b>Amplifier</b>	Two Class-D digital amplifiers.
<b>Elliptical Woofer</b>	Four full-range woofers ensures you'll hear the faithful playback of mid-range vocal frequencies plus deep, rich bass.
<b>Tweeter</b>	One tweeter creates a crisp and clear high-frequency response.
<b>System Requirements</b>	TV with optical digital audio output, broadband internet, and the Sonos app.
<b>Networking*</b>	
<b>Wireless Connectivity</b>	See <b>Setup options</b> .
<b>Ethernet Port</b>	One 10/100 Mbps Ethernet port. You can plug a Sonos product directly into your router if your WiFi is unstable.
<b>General</b>	
<b>Power Supply</b>	Auto-switching 100-240 V, 50-60 Hz 2.5A AC universal input.
<b>Dimensions (H x W x D)</b>	3.72 x 22 x 2.79 in. (94.50 x 558.67 x 70.95mm)
<b>Weight</b>	8 lb (3.62 kg)
<b>Operating Temperature</b>	32°F to 104° F (0° C to 40° C)
<b>Storage Temperature</b>	-4°F to 122° F (-20° C to 50° C)
<b>Control</b>	Use your TV's remote control, the touch controls on S36, or the Sonos app.
<b>Supported Devices</b>	Connects to TV with optical cable. Plays sources connected to the TV, including cable boxes and game consoles.
<b>Package Contents</b>	S36, AC power cord, optical cable, Quickstart Guide.

\* Specifications subject to change without notice.

## Important Safety Information

1. Read these instructions.
2. Keep these instructions.
3. Heed all warnings.
4. Follow all instructions.
5. If your product is wallmounted:
  - Improper or inadequate wallmount installation could cause your device to fall, resulting in personal injury.
  - Never hang from the Sonos product or the wall bracket.
  - Once wall-mounted, periodically check to ensure screws remain securely tightened.
6. Do not use this apparatus near water.
7. Clean only with dry soft cloth. Household cleaners or solvents can damage the finish on your Sonos products.
8. Do not block any ventilation openings. Install in accordance with the manufacturer's instructions.
9. Do not install near any heat sources such as radiators, heat registers, stoves, or other apparatus that produce heat.
10. Protect the power cable from being walked on or pinched, particularly at plugs, convenience receptacles, and the point where they exit from the apparatus.
11. Only use attachments/accessories specified by the manufacturer.
12. Unplug this apparatus during lightning storms or when unused for long periods of time.
13. Refer all servicing to Sonos qualified service personnel. Servicing is required when the apparatus has been damaged in any way, such as power-supply cable or plug is damaged, liquid has been spilled or objects have fallen into the apparatus, the apparatus has been exposed to rain or moisture, does not operate normally, or has been dropped.
14. The Mains plug should be readily available to disconnect the equipment.



15. **Warning:** To reduce the risk of fire or electric shock, do not expose this apparatus to rain or moisture.

16. Do not expose apparatus to dripping or splashing and do not place objects filled with liquids, such as vases, on the apparatus.

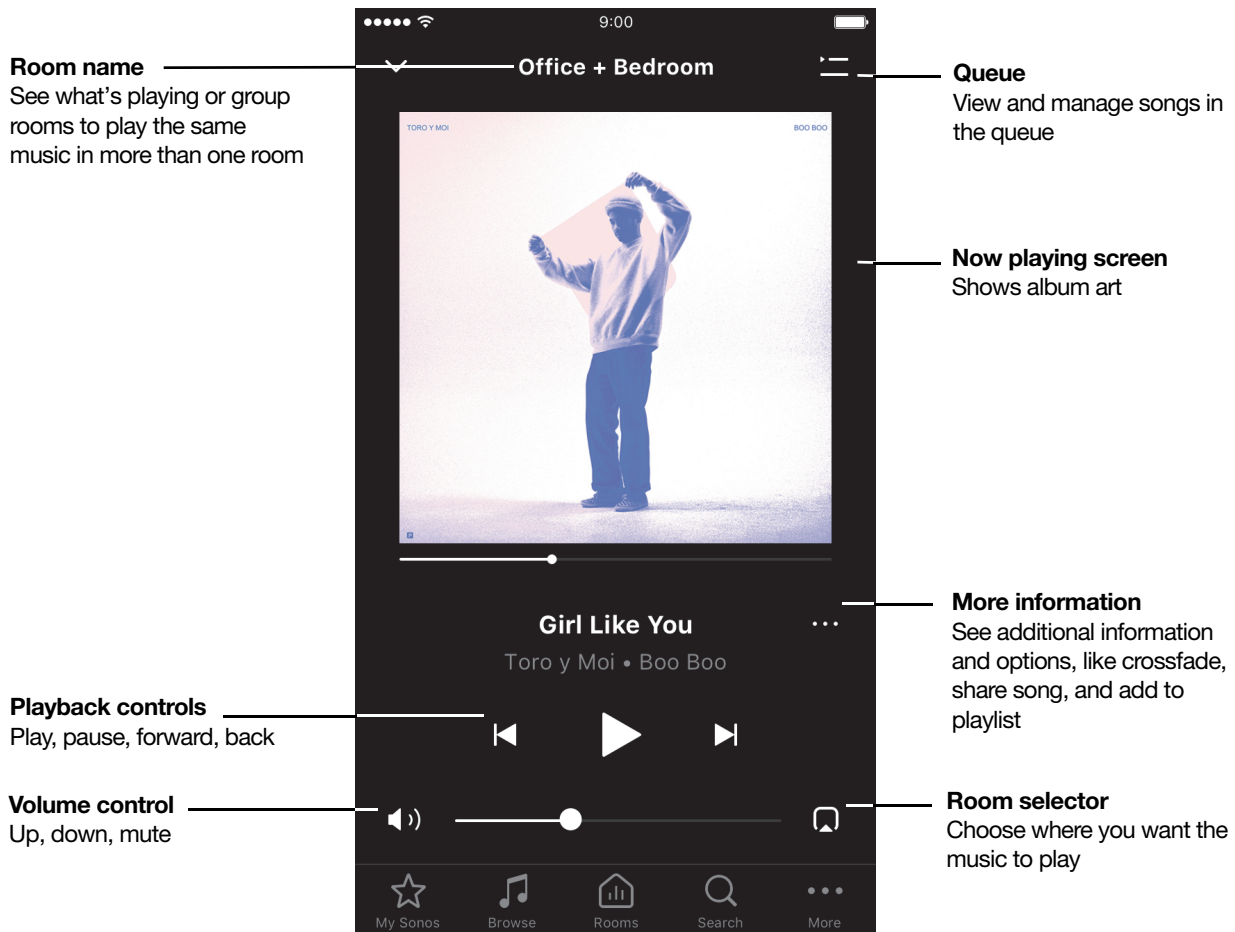
# The Sonos app

Download the app on your mobile device. You'll use it to set up and control your Sonos system. Once your system is set up, you can also **download** the app on your computer to control the music.

## Things you can do:

- Discover and **play music**—explore internet radio, browse and search for music.
- Add **music** and **voice** services—keep your music together and add voice for touch-free play.
- **Sonos playlists**—save songs to a playlist so you can listen to them anytime.
- Play music anywhere—group **rooms** to send the same music everywhere, or listen to different music in each room.

## Mobile app controls








**Note:** You can skip through content by tapping  or  (available only with certain services).

## SONOS USER GUIDE

Tap an icon to find and play music.



-  **My Sonos** A space to save and play your favorite music and collections so you always know where to find the music you love.
-  **Browse** Browse through music services, your music library, and music on your mobile device. When you find music you like, start playing it in any room.
-  **Rooms** See what's playing in your rooms. Group rooms to play the same music in different rooms or everywhere.
-  **Search** Search your music sources.
-  **Settings** Add music and voice services, set alarms, go to Help & Tips, and System Settings.

## Queue controls

When you play a song, it's automatically added to your music queue. You can control how the music plays in the queue.

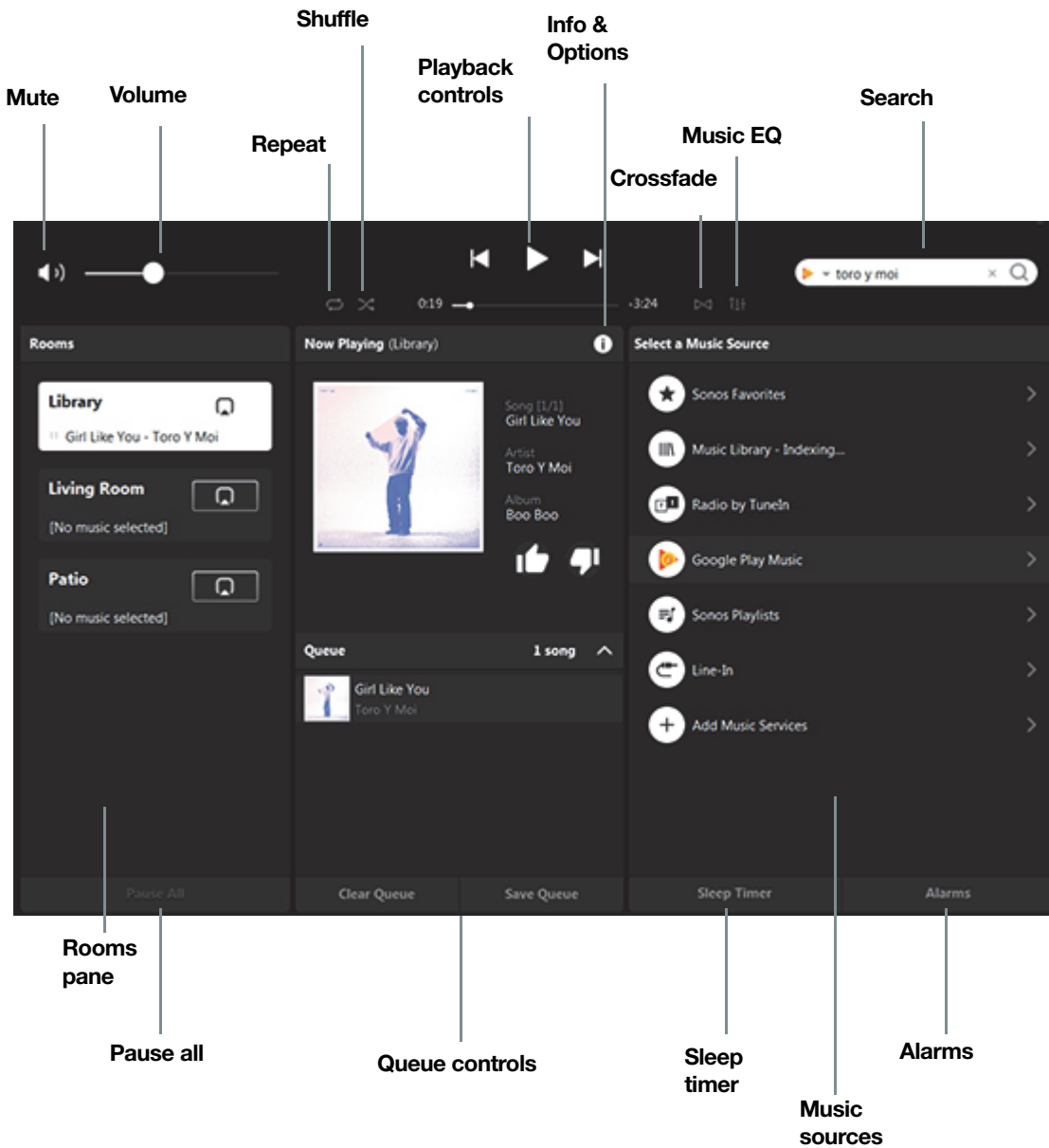
- **Shuffle**—change the song order.
- **Repeat**—repeat all songs, or tap again to repeat the song that's playing.
- **Crossfade** - fades out the current song while fading in the next song to create a smooth transition between songs.
- **Save**—save the queue as a Sonos playlist so you can listen to it again later.

When you add songs to the queue while browsing, you can choose:

- **Play Now**
- **Play Next**
- **Add to End of Queue**
- **Replace Queue**

[Learn more](#) about using the queue.

## Mac/PC controls



### Play / Pause

Toggles between playing and pausing. Sonos speakers are designed to be always on; they use minimal power when there's no audio playing.



### Next / Fast Forward

Jumps to the next song. Click and hold to fast forward through the current song.



## SONOS USER GUIDE



### **Previous / Rewind**

Jumps to the beginning of the *current* song; click twice to play the previous song.  
Click and hold to rewind the current song.



### **Fast Forward 30 seconds**

Jumps forward 30 seconds (available only with certain services).



### **Rewind 30 seconds**

Jumps backward 30 seconds (available only with certain services).



### **Repeat**

Repeats songs in the queue.  
The indicator brightens when the control is activated.



### **Shuffle**

Changes the order of the songs in the queue.  
Turn it off to return the songs to their original playback order. If you turn it on again you get a different mix.  
The indicator brightens when the control is activated.





### **Crossfade**



Fades out the current song while fading in the next song to create a smooth transition between songs.  
The indicator brightens when the control is activated.

# Rooms

Everyone in the house can listen to something different, or you can group Sonos products together to play the same music. If you have a home theater speaker, you can send the TV sound to other rooms, too.

Tap  on a mobile device to see what's playing in each room. To change what's playing, tap a room, and choose different content from **Browse**, **Search**, or **My Sonos**.

Select  to play the same music in more than one room.

If you're near a speaker, press and hold the  button to easily add the music from another room. If different content is playing in different rooms, just press and hold  until you hear the sound you want.

## Room settings

You can customize Sonos products for your surroundings.

<b>Trueplay</b>	Trueplay analyzes the surroundings in a room and then adjusts each woofer and tweeter to provide you with the best sound for that room. <a href="#">Learn more</a>
<b>EQ settings</b>	Sonos products ship with preset equalization settings. You can change the sound settings (bass, treble, balance, or loudness) to suit your personal preferences. <a href="#">Learn more</a>
<b>Room name</b>	If you move your speaker to a new room, you can change its name in your room's settings.
<b>Status light</b>	There's a status light on each product. If the light is distracting, you can turn it off in your room's settings. If it ever flashes orange, you can <a href="#">get more information</a> about the LED states.
<b>Speaker touch controls</b>	You can disable the touch control buttons on your speaker. You may want to do this to prevent a child or curious pet from accidentally adjusting playback or volume. <a href="#">Learn more</a>
<b>Set max volume</b>	You can set a maximum volume for each room. <a href="#">Learn more</a>

---

**Turn off WiFi**

You can turn off your speaker's WiFi when it's connected to your network with an Ethernet cable. This reduces power consumption and can improve connectivity for some wired speakers. For products like Amp, Connect, and Connect:Amp, turning off WiFi can reduce the internal temperature when they're placed in a rack or stacked. [Learn more](#)

---

**Line-In**

You can connect an audio device like a turntable, stereo, or MP3 player to a Play:5, Amp, Connect, or Connect:Amp and stream the audio to Sonos. [Learn more](#)

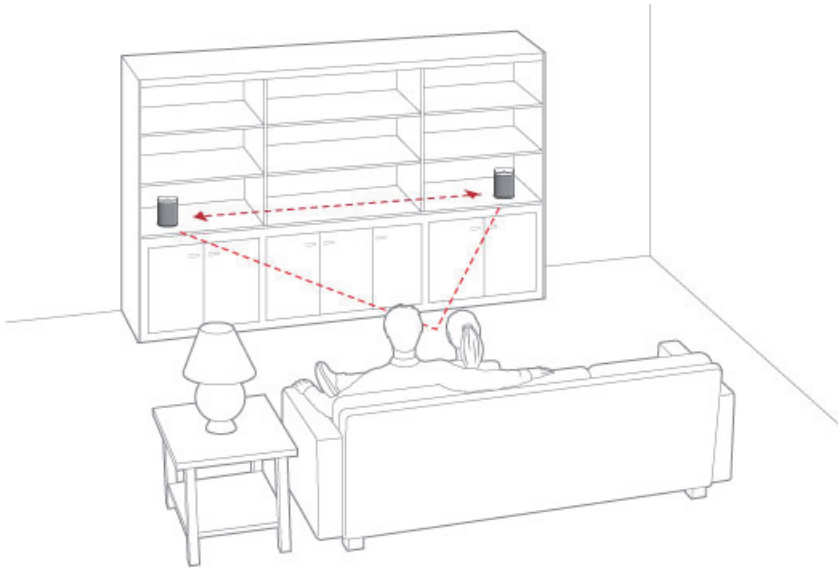
---

## Stereo pairs

Pair two Sonos speakers in the same room for a wider, stereo experience. One speaker serves as the left channel and one serves as the right channel.

**Note:** The Sonos speakers in a stereo pair must be the same type.

[Get more information](#) about stereo pairs.



# Sonos home theater

Sonos products for your TV provide full-theater sound and play music too. Create a home theater system by adding a pair of rear surrounds and a Sub.

- **Arc**: the premium smart soundbar for TV, movies, music, gaming, and more. Place on furniture or wall mount.
- **Beam**: compact soundbar with Amazon Alexa voice control, perfect for small to medium-sized rooms. Place on furniture or wall mount.
- **Playbase**: widescreen sound and music streaming, created especially for TVs on stands or furniture. Low profile design practically disappears under your TV.
- **Playbar**: powerful soundbar, perfect for use above or below wall-mounted TVs, or lay it flat on a table or console.
- **Amp**: versatile amplifier for powering all your entertainment.
- **Sub**: add dramatically deeper bass to any Sonos speaker, for home theater and music.

## Surround speakers

It's easy to turn two Sonos speakers (same model) or two of your favorite non-Sonos speakers (with Amp or Connect:Amp) into separate right and left channels for your home theater. [Get more information](#) about surrounds.

### Surround settings

When you add your speakers as surrounds, surround sound is optimized for your room. You can adjust these settings:

<b>Surrounds</b>	Turn surround sound <b>On</b> or <b>Off</b> .
<b>TV Level</b>	Adjust surround volume for TV audio.
<b>Music Level</b>	Adjust surround volume for music.
<b>Music Playback</b>	<b>Ambient</b> (subtle) or <b>Full</b> (louder, full range). Doesn't apply to TV audio.
<b>Balance Surround Speakers</b>	Manually balance your surround speakers.

## Home theater settings

Use the Sonos app to adjust sound settings or change the way your home theater speaker works with your TV.


---

<b>TV dialog settings</b>	If the TV audio is out of sync with the video, you can adjust the audio delay (lip sync) in your room's settings. <a href="#"><b>Learn more</b></a>
<b>TV autoplay</b>	<p><b>TV Autoplay</b>—if music or other content is playing when you turn on your TV, the audio automatically switches to TV audio (default). If you don't want this to happen, turn off TV Autoplay in your room's settings.</p> <p><b>Ungroup on Autoplay</b>—if your home theater speaker is grouped with other products when you turn on the TV, it automatically drops from the group (default). If you don't want this to happen, turn off Ungroup on Autoplay in your room's settings.</p>
<b>Speech enhancement</b>	Makes TV dialog easier to hear. <a href="#"><b>Learn more</b></a>
<b>Night sound</b>	Enhances quiet sounds and reduces the intensity of loud sounds. Turn on to reduce the volume while still experiencing proper balance and range. <a href="#"><b>Learn more</b></a>
<b>Remote control setup</b>	During setup, you'll program a remote control. You can program a different remote control any time. <a href="#"><b>Learn more</b></a>

---

# Play music

There are lots of ways to get the music playing on Sonos—choose whichever control works best in the moment.

- **The Sonos app.** The free Sonos app is the easiest way to play anything and everything on Sonos. Simply open the app, tap  and choose from the list of music sources.
- **Voice commands.** If you have a voice-enabled Sonos speaker, you can use your voice to play and control the music. Ask Alexa or the Google Assistant to play your favorite radio station or the top hits on Spotify.
- **Controls on the speaker.** If you're near a speaker, you can use the speaker controls to adjust volume, stop the music, or change the song.
- **Another streaming app.** Control Sonos directly from a different app (like Spotify, Pandora, or Pocket Casts). Just open the app and connect to a Sonos speaker to start the music.
- **Airplay 2.** Use AirPlay 2 to stream music, movies, podcasts, and more directly from your favorite apps to your Sonos speakers. Listen to Apple Music on your Sonos One. Watch a YouTube or Netflix video and enjoy the sound on Sonos.

When you find music you love, add it to **My Sonos** in the mobile app so it's easy to play again. You can save, play, and manage your favorite music and playlists all in one place. [Learn more](#).

## Music sources

Sonos gives you easy access to all the music you love—play your favorite artist's newest single from Spotify, your favorite playlist from your Android phone, a local news radio station, and much more.

- **Radio:** select from more than 100,000 free internet radio stations, podcasts, and shows. [Learn more](#)
- **Music services:** explore and manage your music services—add your own or try something new. [Learn more](#)
- **Stored on your mobile device:** play music you've downloaded to your phone or tablet (Android only). [Learn more](#)
- **Stored on your computer:** play music stored on your computer or any Network-Attached Storage (NAS) device. [Learn more](#)
- **Imported playlists:** Sonos is compatible with iTunes playlists, as well as M3U, WPL and PLS playlist files created with third-party software. [Learn more](#)
- **Other audio devices:** play music from a [turntable](#) or other external audio device. [Learn more](#)