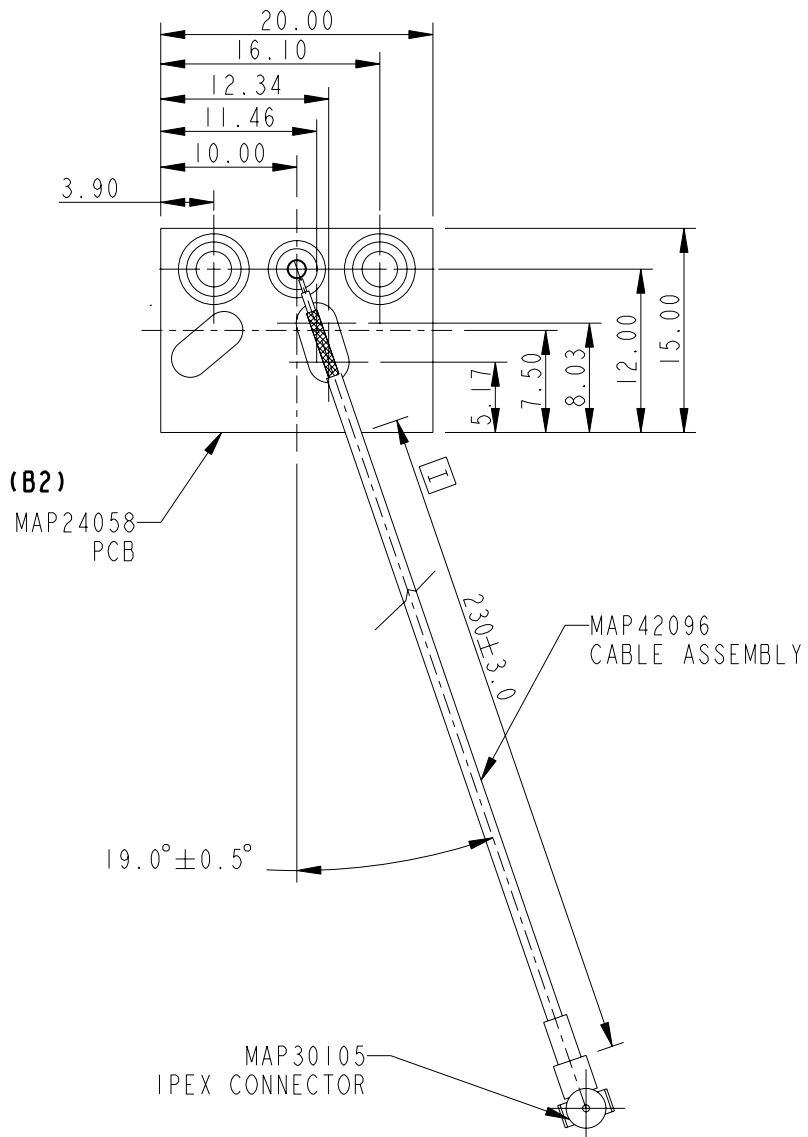


ANTENNA INFORMATION

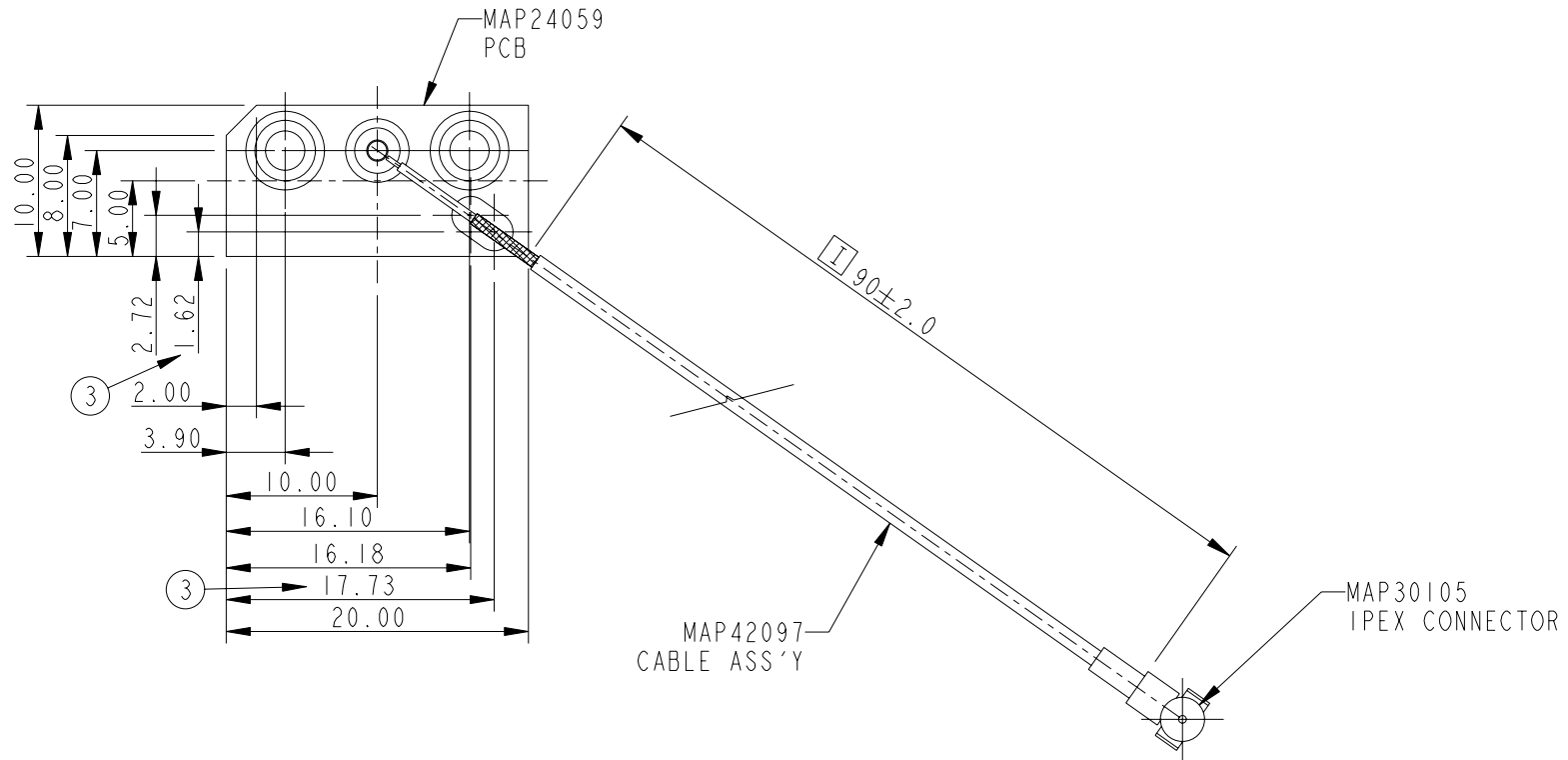
Z90 (Avalon)

A	3.22 dBi
B	1.86 dBi
C	2.72 dBi



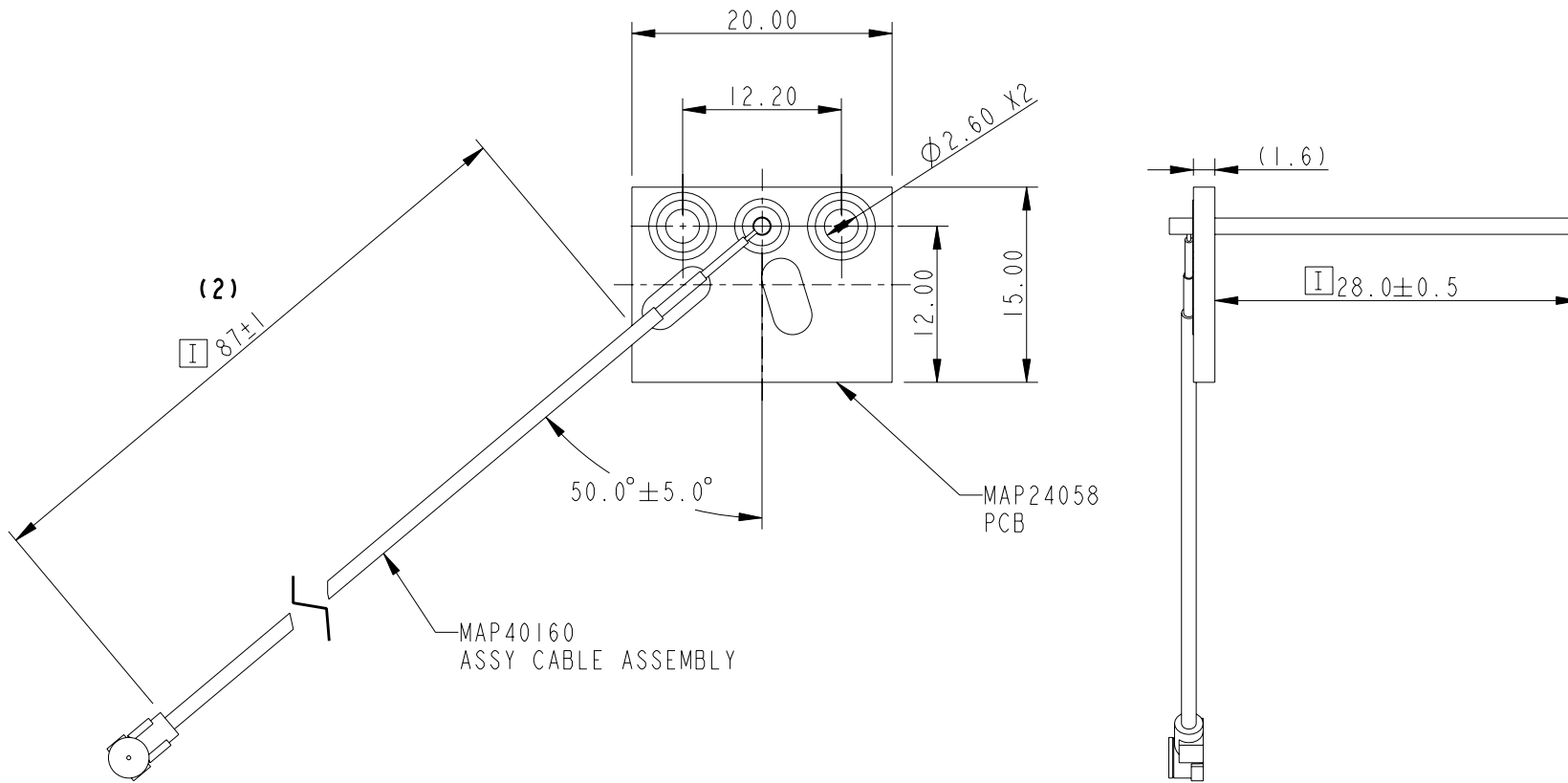
APPROVED

TOLERANCE (UNLESS STATED)	X = ±0.3	SYM	ECO/DESCRIPTION	DATE	CK	APP	 ANTENNA SBU PENANG, MALAYSIA	DRAWN BY: KUA			
	XX = ±0.13							D2	Changed of whip from MAP42098 to MAP42068, Dimension 28.00±0.5 added.		29/11/05
- PRODUCT & PROCESS MUST COMPLY TO LT-GES - MISSING INFORMATION REFER TO 3D DATA - DIMENSIONS ARE IN MILLIMETERS UNLESS STATED OTHERWISE - THIS DRAWING WAS GENERATED VIA PRO/ENGINEER - PRINT NOT TO SCALE	ANGULAR = ± 30'	(B1)	ECO-00247	28/02/07	SOOLI	GERALD	CONFIDENTIAL THE INFORMATION CONTAINED IN THIS DOCUMENT IS OF PROPRIETARY NATURE. IT MAY NOT BE REPRODUCED OR USED WITHOUT EXPRESS WRITTEN PERMISSION OF LAIRD TECHNOLOGIES, ANTENNA SBU		DWG. NO. : MAF94108	PG. 1/3	REV B2
		(B2)	ECO-00313	23/11/07	CHIN	FONG	DESCRIPTION: SONOS WHIP ANTENNA		MATERIAL: N/A		
								© 2005 LAIRD TECHNOLOGIES	PROJECT NO. CWC0084	DATE: 03/10/05	SCALE: 1.800



APPROVED

TOLERANCE (UNLESS STATED)	X = ±0.3 XX = ±0.13 ANGULAR = ± 30'	SYM	ECO/DESCRIPTION	DATE	CK	APP	 <small>ANTENNA SBU PENANG, MALAYSIA</small>	DRAWN BY: PANG			
		D2	Changed of whip from MAP42098 to MAP42068, Dimension 28.00±0.5 added.	29/11/05	PANG	CHEAH		CHECKED BY: POR			
- PRODUCT & PROCESS MUST BE ROHS COMPLIANT - MISSING INFORMATION REFER TO 3D DATA - DIMENSIONS ARE IN MILLIMETERS UNLESS STATED OTHERWISE - THIS DRAWING WAS GENERATED VIA PRO/ENGINEER - PRINT NOT TO SCALE		(3)	CHANGED OF DIMENSIONS.	16/05/06	SOOLI	CHEAH	<small>CONFIDENTIAL THE INFORMATION CONTAINED IN THIS DOCUMENT IS OF PROPRIETARY NATURE. IT MAY NOT BE REPRODUCED OR USED WITHOUT EXPRESS WRITTEN PERMISSION OF LAIRD TECHNOLOGIES, ANTENNA SBU</small>	DWG. NO. : MAF94119	PG. 1/3	REV B1	
		(B1)	ECO-00247	28/02/07	SOOLI	GERALD		DESCRIPTION: SONOS WHIP ANTENNA	MATERIAL: N/A		
									© 2005 LAIRD TECHNOLOGIES	PROJECT NO. CWC0084	DATE: 03/10/05



APPROVED

TOLERANCE (UNLESS STATED)	X = ±0.3	SYM	ECO/DESCRIPTION	DATE	CK	APP	 ANTENNA SBU PENANG, MALAYSIA	DRAWN BY: CHIN			
	XX = ±0.13							(2)	CABLE LENGTH WAS 100 DIM 28 WAS MOVED TO PGI		29/11/07
- PRODUCT & PROCESS MUST COMPLY TO LT-GES - MISSING INFORMATION REFER TO 3D DATA - DIMENSIONS ARE IN MILLIMETERS UNLESS STATED OTHERWISE - THIS DRAWING WAS GENERATED VIA PRO/ENGINEER - PRINT NOT TO SCALE	ANGULAR = ± 30'						CONFIDENTIAL THE INFORMATION CONTAINED IN THIS DOCUMENT IS OF PROPRIETARY NATURE. IT MAY NOT BE REPRODUCED OR USED WITHOUT EXPRESS WRITTEN PERMISSION OF LAIRD TECHNOLOGIES, ANTENNA SBU		DWG. NO. : MAF94362	PG. 1/2	REV 2
							DESCRIPTION: SONOS WHIP AVALON ANT C			MATERIAL: N/A	
								© 2005 LAIRD TECHNOLOGIES	PROJECT NO. CWC0227	DATE: 22/10/07	SCALE: 1.800