

Hisense Communication Co., Ltd.

Hisense Infor. Industrial Park Economic Technology Dev. District, Qingdao, China

PHOENIX TESTLAB GmbH *Date: June 20, 2022*

Product Certification

Königswinkel 10

D 32825 Blomberg

Attn: Reviewing Engineer

Subject: PART 15 UNLICENSED MODULAR TRANSMITTER APPROVAL

To Whom It May Concern:

We, *Hisense Communication Co., Ltd.*, hereby requests for part 15 unlicensed modular transmitter approval of our device, described as follows:

Brand name: Hisense

Model name: ZDRK8812CU

FCC ID: SARZDRK8812CU

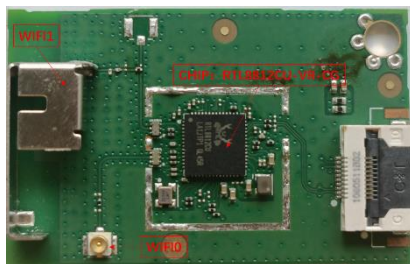
In FCC Public Notice DA 00-1407 released June 26, 2000 there are eight numbered requirements that our device complies with:

1. The modular transmitter must have its own shielding.

Yes, it has a metal shielding.

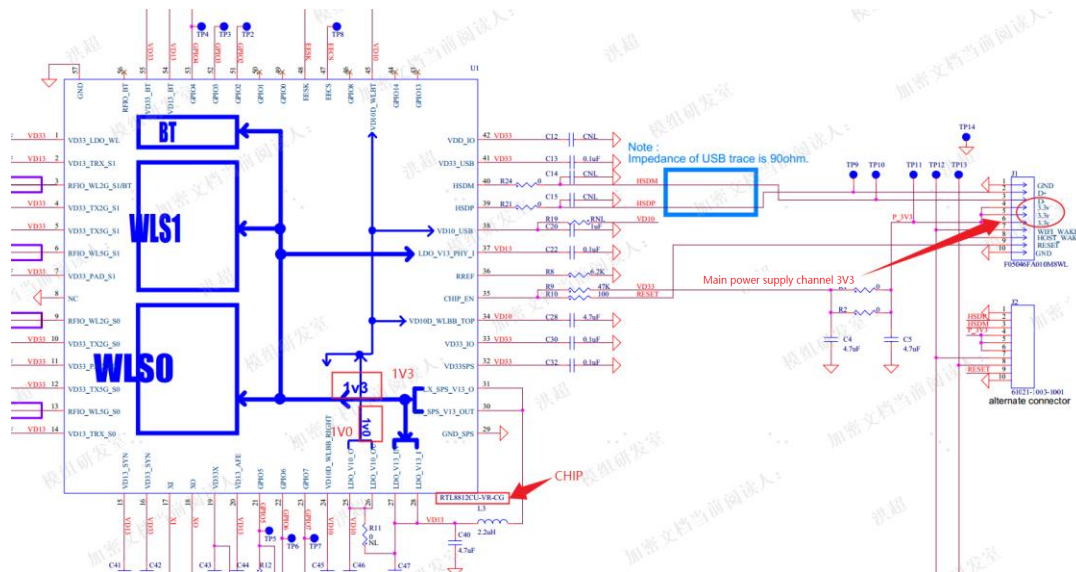
2. The modular transmitter must have buffered modulation/data inputs

Yes, it has a buffer for modulation and data input. The highly integrate single-chip is RTL8812CU-VR-CG.



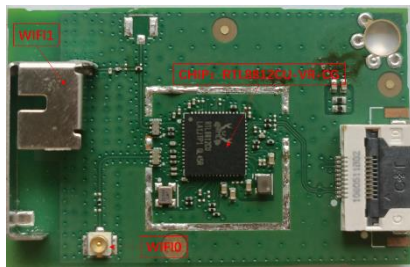
3. The modular transmitter must have its own power supply regulation

Yes, it has a power supply regulation for transmitter inside the chip RTL8812CU-VR-CG. The 3V3 main power supply the chip RTL8812-VR-CG, then the chip RTL8812CU-VR-CG convert to 1V3 and 1V0 powers inside for RF and interface working, as follow:



4. The modular transmitter must comply with the antenna requirements of Section 15.203 and 15.204c

*Yes, the module is 2*2 MIMO of WiF0 and WiF1. WiF0 antenna is pulled out by a connector; WiF1 antenna is steel antenna on pcb.*



5. The modular transmitter must be tested in a stand-alone configuration

Yes, it has been tested in a stand-alone configuration, not inside another device.

6. The modular transmitter must be labelled with its own FCC ID number

Yes, FCC ID: SARZDRK8812CU

7. The modular transmitter must comply with any specific rule or operating requirements applicable to the transmitter and the manufacturer must provide adequate instructions along with the module to explain any such requirements.

Yes, our module has complied the FCC spec and operating requirements, the manufacturer has corresponding module installation instructions.

8. The modular transmitter must comply with any applicable RF exposure requirements.

Yes, our module has detailed application notes for users, installers and other interested parties to ensure that it comply with any applicable RF exposure requirements .

Hisense Communication Co., Ltd.

Hisense Infor. Industrial Park Economic Technology Dev. District, Qingdao, China

Yours sincerely,

Signatory

wang haining

Name: Wang Haining

Job Title: Certification Manager