

Hisense



UEFA
EURO2020

2020欧洲杯全球官方合作伙伴

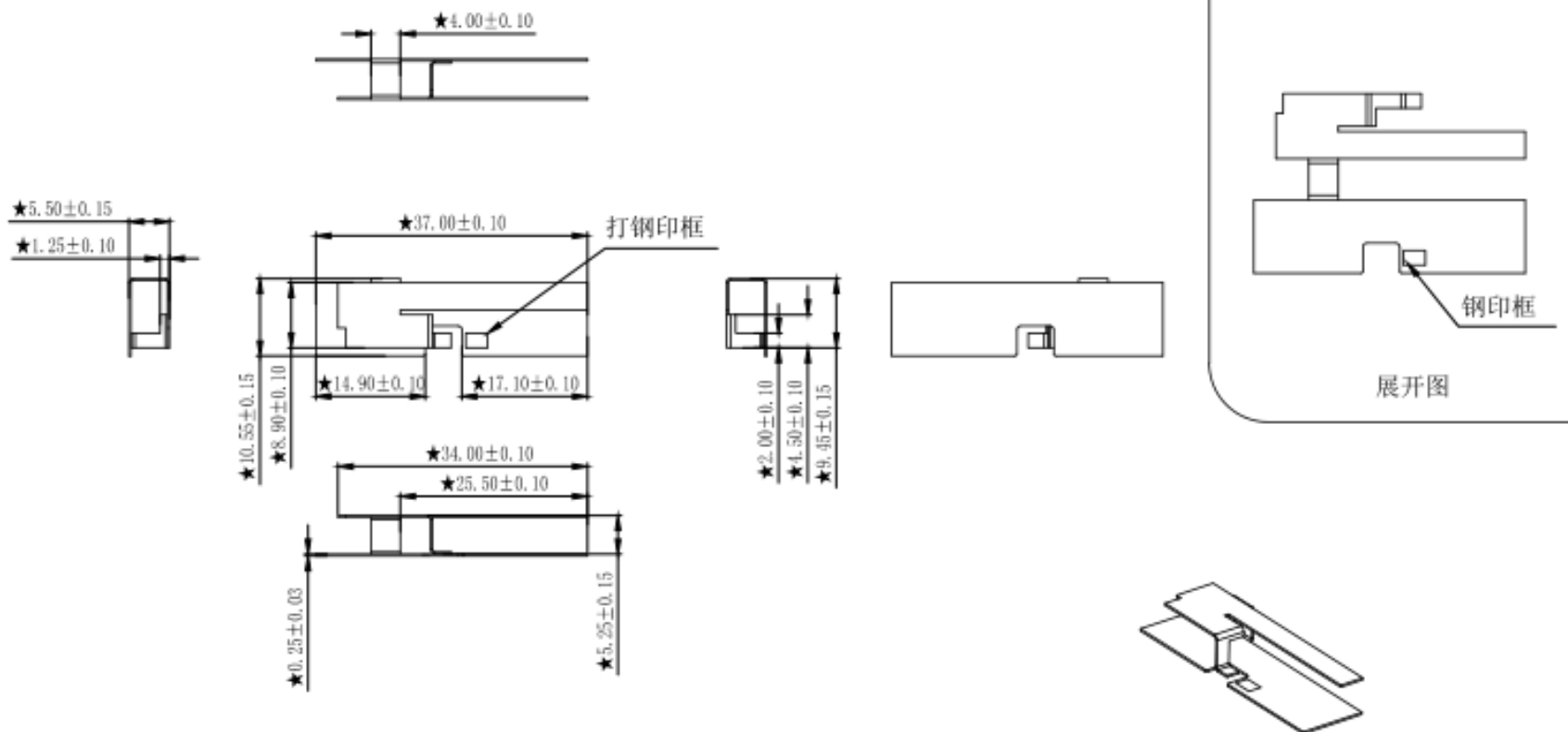
ZDRK8812CU ANT Details

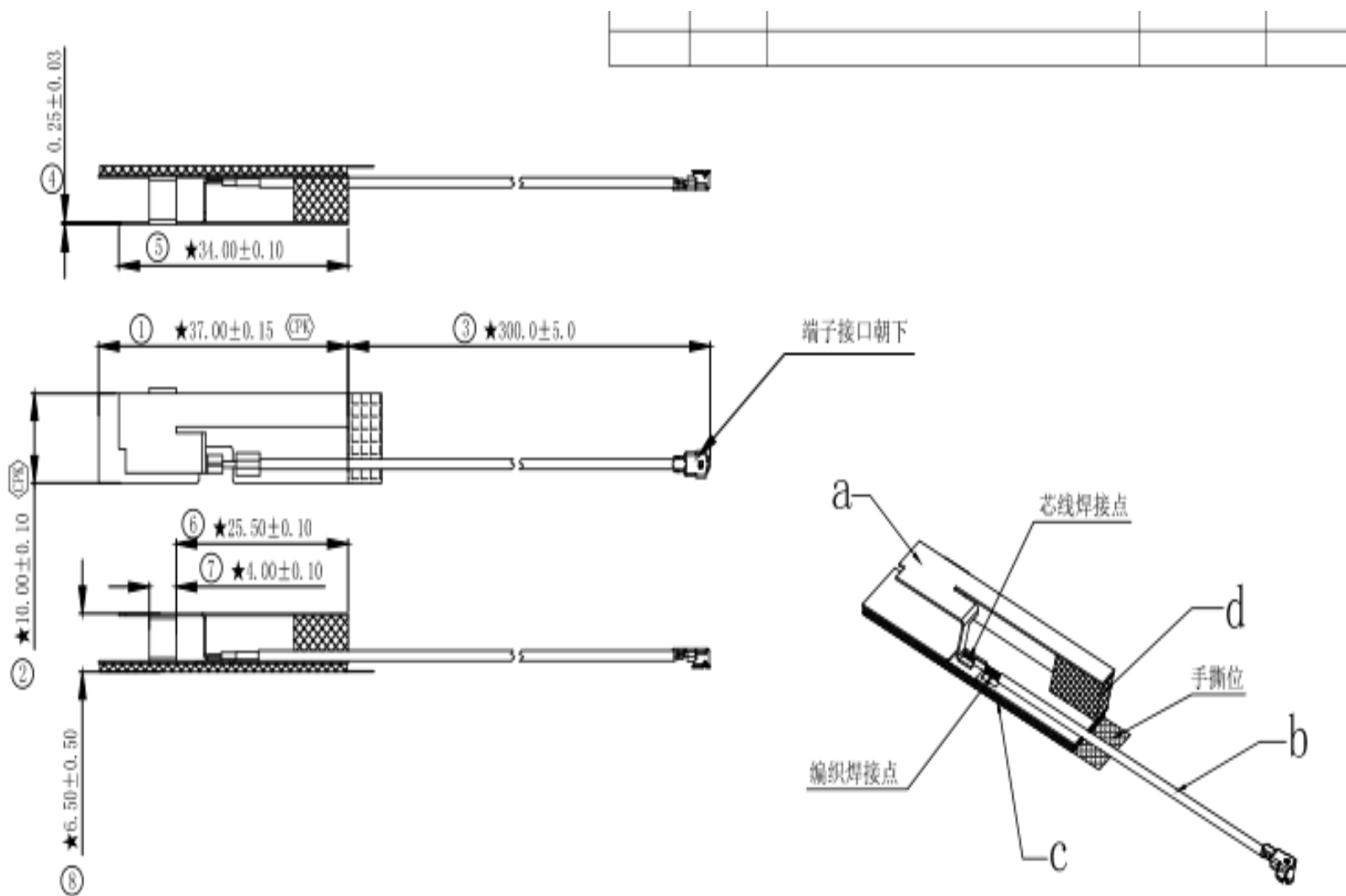
Ipex pullout-HYWF-PIFA

2022-04

N0	details	specification	remark
1	Frequency band	2400-2500MHz/ 5150-5850 MHz	
2	directivity	Omnidirectional antenna	
3	Input impedance	50 Ohm Nominal	
4	Return Loss	-15dB(Max)2.4-2.5G ; -15dB(Max)5.15G-5.85G	
5	VSWR	2	
6	Polarization mode	Linear Polarization	
7	Gain	3.72(Max)2.4G~2.5G ; 4.07(Max)5.15G-5.85G	Horizontal level gain test with cable
8	Efficiency	$\geq 40\%$	
9	Wire loss	$\leq 3.15\text{dB/M}$ 2.4-2.5G ; $\leq 3.15\text{dB/M}$ 5.15G-5.85G	

No	details	2.4G~2.5G	5.15G~5.85G
1	Input impedance	50 Ohm Nominal	
2	Return Loss	$\geq -14\text{dBi}$	$\geq -14\text{dBi}$
3	VSWR	≤ 1.5	≤ 1.5
4	Average Gain	2.10	1.45
5	Average Efficiency	46%	35%
6	Wire loss	$\leq 3.15\text{dB/M}$	$\leq 3.15\text{dB/M}$





No	Size (mm)
1	37
2	10
3	300
4	0.25
5	34
6	25
7	4
8	6

谢谢

