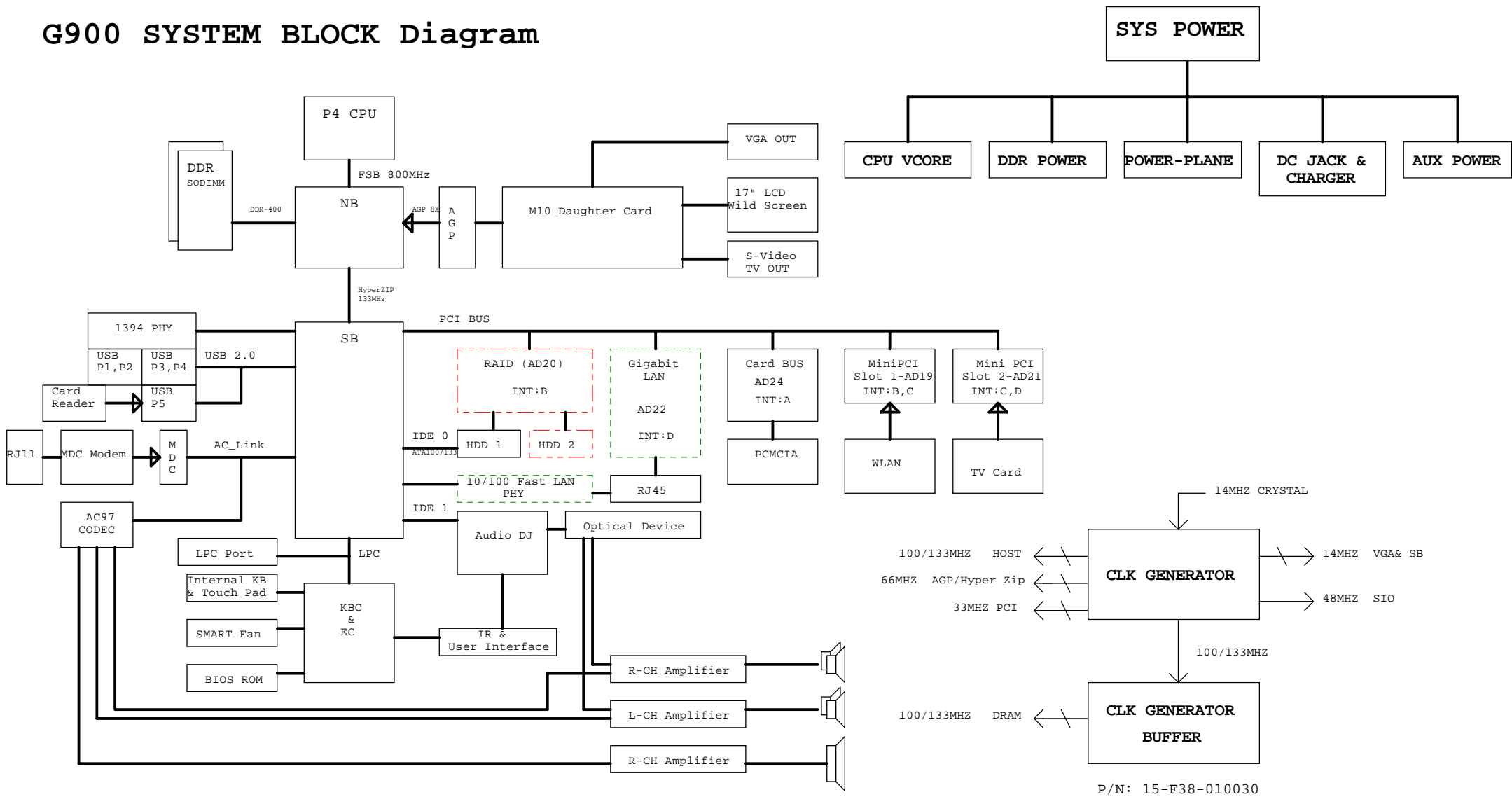


G900 SYSTEM BLOCK Diagram



PAGE	1	2	3	4	5	6	7	8	9	10	11	12	13	14	15	16	17	18	19	20
REV	c.0	c.0	c.0	c.0	c.0	c.0	c.0	c.0	c.0	c.0	c.0	c.0	c.0	c.0	c.0	c.0	c.0	c.0	c.0	c.0
DATE	12/12/03	12/12/03	12/12/03	12/12/03	12/12/03	12/12/03	12/12/03	12/12/03	12/12/03	12/12/03	12/12/03	12/12/03	12/12/03	12/12/03	12/12/03	12/12/03	12/12/03	12/12/03	12/12/03	12/12/03

PAGE	21	22	23	24	25	26	27	28	29	30	31	32	33	34	35	36	37	38	39
REV	c.0	c.0	c.0	c.0	c.0	c.0	c.0	c.0	c.0	c.0	c.0	c.0	c.0	c.0	c.0	c.0	c.0	c.0	c.0
DATE	12/12/03	12/12/03	12/12/03	12/12/03	12/12/03	12/12/03	12/12/03	12/12/03	12/12/03	12/12/03	12/12/03	12/12/03	12/12/03	12/12/03	12/12/03	12/12/03	12/12/03	12/12/03	12/12/03

Approved by	Checked by	Designed by
EliteGroup Computer System. (GREEN 900 M/B)		
File: G900 BLOCK DIAGRAM		
P. Leader	Size: Custom G900	Document Number: Rev C.0
Date: Monday, December 29, 2003	Sheet: 1	of 38