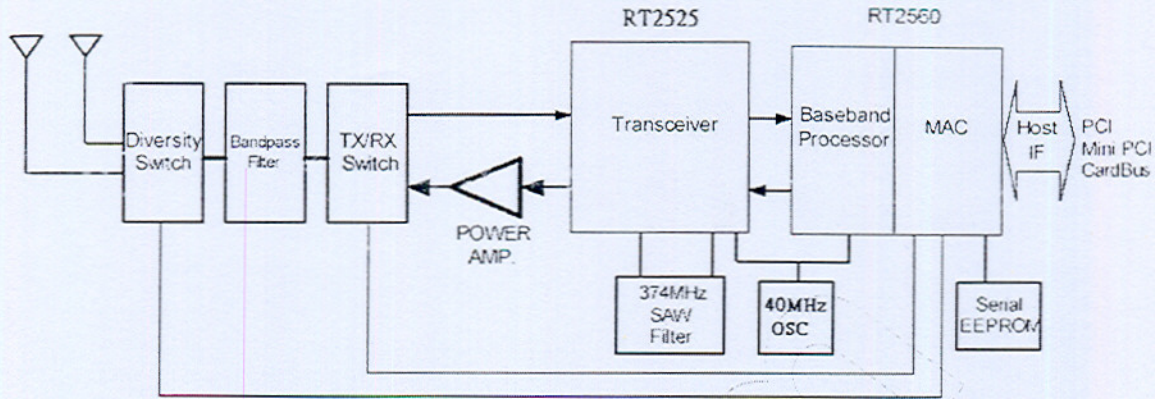


**Q802MKG Block Diagram**



RT2560: MAC/Baseband Processor for IEEE 802.11b/g

RT2525: Single band direct conversion transceiver with AGC and synthesizer

The Q802MKG comprises a combination baseband processor/medium access controller (RT2560); modulator/demodulator (RT2525); power amplifier (RFIC-AP1091); single chip, and various RF filter, balun, and switch components.

**Modulation Methods**

DATA BIT RATE	MODULATION and Encoding Rate
802.11b CCK MODES	
1Mbps	BPSK
2Mbps	QPSK
5.5Mbps	QPSK
11Mbps	QPSK
802.11g OFDM MODES	
6Mbps	BPSK
9Mbps	BPSK
12Mbps	QPSK
18Mbps	QPSK
24Mbps	16QAM
36Mbps	16QAM
48Mbps	64QAM
54Mbps	64QAM

