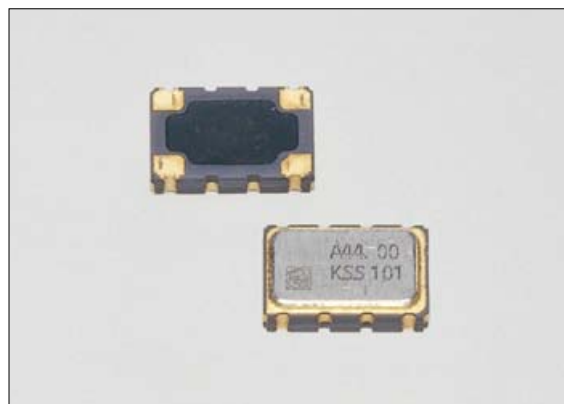


MFO-208F

Clock Crystal Oscillator

Features

- “H” type leadless ceramic package.
(Reflow soldering is possible.)
- With an oscillation output stop function.
- High stability clock oscillation for wireless LAN.



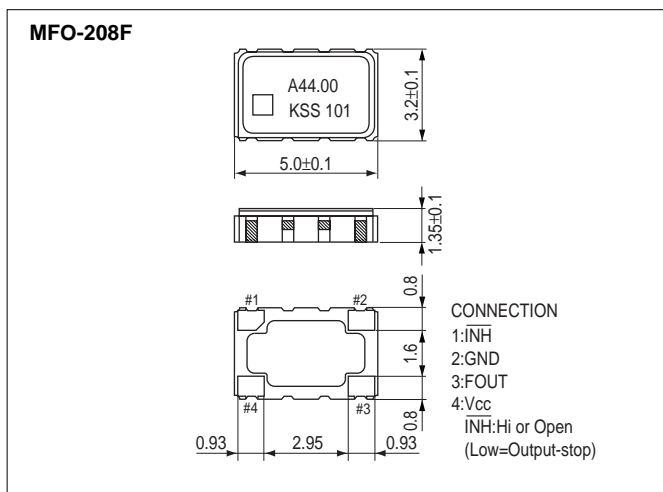
Original Size

Specifications

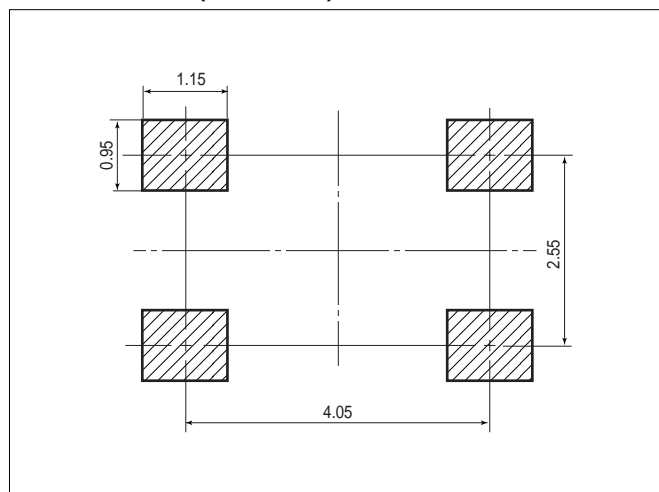
Item	Type	MFO-208F	
Application		C-MOS Output type	
Supply Voltage		+3.3V±5%(2.7V MIN.)	
Frequency Range		1.5~25MHz	25~55MHz
Standard Frequency		20、22MHz	32、40、44MHz
Load		15pF	
Frequency Stability		±15×10 ⁻⁶ /-40~+85°C ※1 (±10×10 ⁻⁶ /-10~+75°C)	
Rise Time/Fall Time		5ns/5ns MAX.	
Output Level		V _{OH} :0.9×V _{DD} MIN. V _{OL} :0.1V MAX.	
Output Symmetry		45~55%	
Start-up Time		1.5ms MAX.	1.0ms MAX.
Current		4mA MAX.	10mA MAX.
Capacity/Weight		0.02cc、0.06g	

※1 Please consult about the deviation to frequency.
In addition, please consult separately about each specification.

Outline



Land Pattern(reference)



Dimensions(mm)