

承 認 書

APPROVAL SHEET

CUSTOMER: 明泰科技股份有限公司

CUSTOMER MODEL NO.:

JOYMAX MODEL NO.: IFF-L009MPXX-508

DESCRIPTION: #L009 PIFA Antenna

REV.: 00

DATE: 2008/10/27

Weight: 1.5g (est)

MADE IN TAIWAN

Customer Approval

Joymax Approval



Index.

Item

1. Drawing

2. Test report

- Electrical test
-

3. Specification

- Cable
 - Connector
-

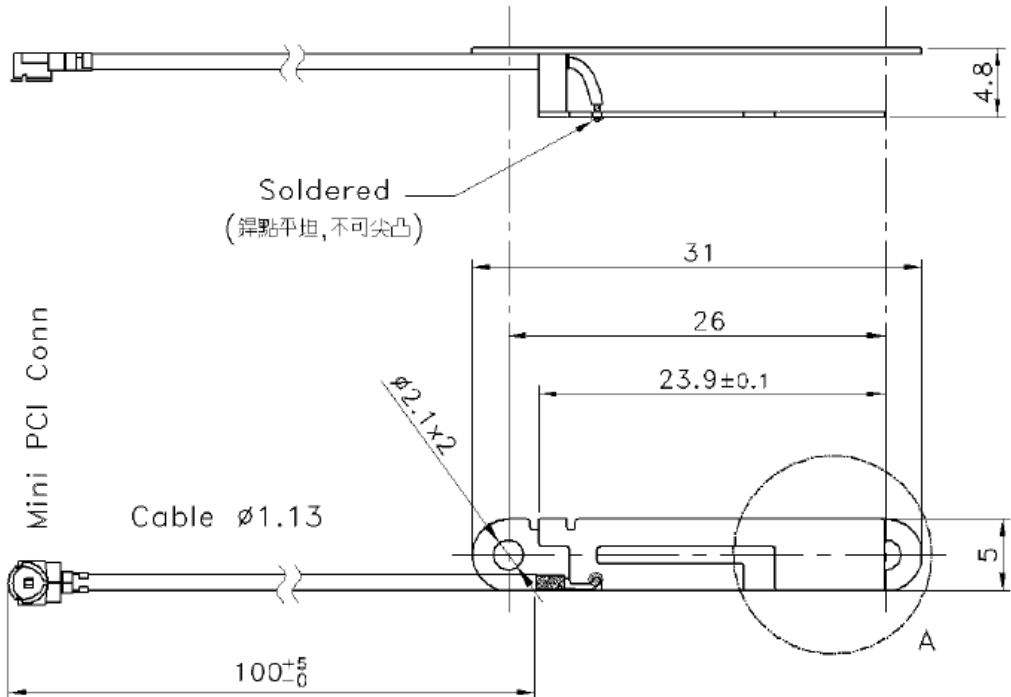
4. Packing

- PE Bag
 - Carton
-

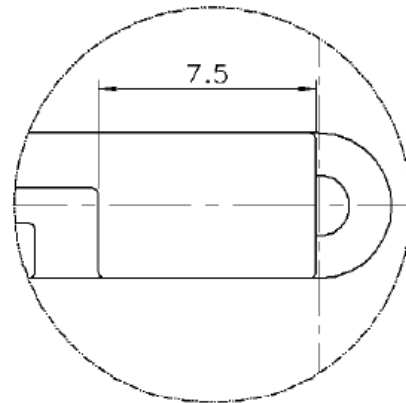
Modification History:

Rev.	Date	Content
00	2008/10/27	

4	3	2	1		
Rev	Zone	Description	ENG	Approved	Date



註：
黑色泡棉雙面背膠 1 pcs (5x8x5mm) 為附件，
不需黏貼於 #L009 PIFA 上



DETAIL : A
SCALE: 2/1

Electrical Properties	
Frequency Range	2.4~2.5 GHz
Impedance	50 Ω
V.S.W.R.	≤ 2.0
Gain	2dBi
Polarization	Linear
Mechanical Properties	
Whip	Nickel silver strip
Connector	Phosphor Bronze
Weight	1.5 g (est)
Operating Temp	-20°C ~ +65°C

A	UNLESS OTHERWISE SPECIFIED TOLERANCES ON:	DRAWN BY: HWCHAN	MATERIAL:	TITLE : #L009 PIFA ANTENNA
	K ± 1	DESIGNED BY: 呂健逸 / 王清榮	FINISH:	DRAW NO. :
	K.X ± 0.5	CHECKED BY: 廖信寬 / 萬執中	SCALE: 2/1 UNIT:mm	PART NO. : IFF-L009MPXX-508
	K.XX ± 0.25	APPROVED BY: 呂正雄	DATE: 2008/10/29	JOYMAX ELECTRONICS CO.,LTD.
ANG. $\pm 2.0^\circ$		REV: 00		

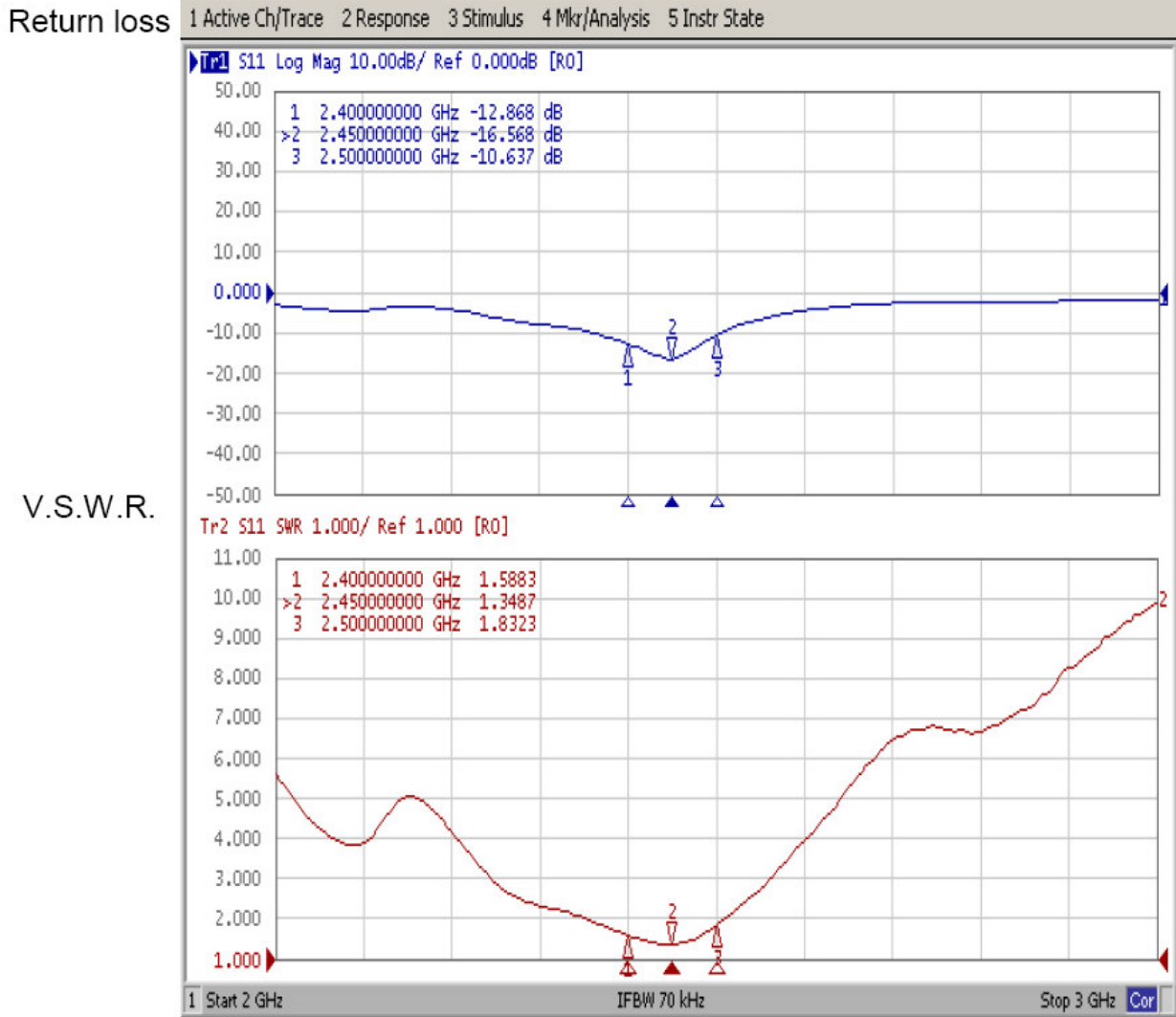
THIRD ANGLE PROJECTION

THIS DRAWING CONTAINS INFORMATION THAT IS PROPRIETARY TO JOYMAX AND SHOULD NOT BE USED WITHOUT WRITTEN PERMISSION.

Model. IFF-L009MPXX-508

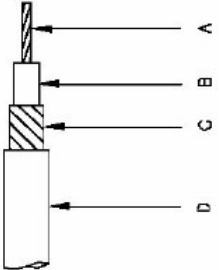
Test Report

Return loss/V.S.W.R



* 搭配機殼測試

Rev	Change	By	Date



Electricals:

Characteristic Impedance: 50±2 Ohms
 Inner Conductor Resistance @20°C: 525 Ω/km
 Capacitance: 98 PF/m

Max. Attenuation:

1.00 GHz	1.8 dB/m
2.45 GHz	3.0 dB/m
5.20 GHz	4.6 dB/m
5.80 GHz	5.0 dB/m

Scope:

This specification presents a FEP jacketed COAXIAL cable AWG32, 1.13 mm D.D. for internal wiring of electronic equipment, such as Computer/Notebook with wireless communication systems. This specification covers UL recognized Appliance Wiring Material [UL1745:90°C,30V] under File No.E45046 and Category No.AVLV2.

Construction:

A) Inner Conductor:
 Silver Plated Copper
 OD 0.237mm

B) Dielectric:
 Extruded PTFE
 OD 0.68mm

C) Outer Conductor:
 Silver Plated Copper
 OD 0.90mm

D) Outer Jacket:
 Extruded FEP
 OD 1.13±0.05mm

Date: 12/18/2003	Scale: None	Drawn By: Anna
Drawing Name: J113		Rev: Sheet 1 of 1

Notes

1. Material
 (1) Housing : PBT , UL94V-0 , black
 (2) Contact
 phosphor bronze
 gold plating
 (3) Ground contact
 phosphor bronze , silver plating
 2. Packing : reel
 3. Mating partner Part No.
 : 20314-001E-01

1. 材料
 (1) ハウジング: PBT, UL94V-0, 黒色
 (2) コンタクト
 : 黄銅
 : 金メッキ
 (3) グランドコンタクト
 : 黄銅, 銀メッキ
 2. 梱包 : リール
 3. かん合相手 Part No.
 : 20314-001E-01

4. Permissible load of cable at mating
 コネクタかん合後のケーブルに対する荷重

5. Suggestions for mating & unmating operation.

5-1 Mating.
 Please mate the connector straightly to vertical direction as much as possible, adjusting the mating axis of plug and receptacle.
 As excessive sliant angle mating may break the connector , please don't do it.

5-1 コネクタ挿入時
 PlugとReceptacleのかん合軸を合わせ、できるだけ垂直に挿入して下さい。過度の斜め挿入を行わないで下さい。コネクタ破損の原因となりますので、過度なこじり挿入を行わないで下さい。

5-2 Unmating.
 (1) In case of unmating by pulling tool.
 Please use the following drawing, and please pull plug to vertical direction as directly as neassible.
 (2) In case of unmating directly by hand
 Please catch the catching area of plug , and please pull plug to vertical direction as directly as possible.

5-2 コネクタ抜き時
 (1) 抜きツグを用いる場合
 下図のようにできるだけ垂直に抜き抜いて下さい。
 (2) 手で直接抜き抜く場合
 下図の取手部分を掴み、できるだけ垂直に抜き抜いて下さい。

5-1 Mating
 Plug P/N 20300-1*1R-09
 20308-1*1R-13
 20308-1*1R-32

GENERAL TOLERANCE	
B MAX.	±0.2
G OVER MAX.	±0.3
3D OVER MAX.	±0.5
ANGLE	±2°

FORN REV. 4

MAS 1

Connector

Mini PCI Conn

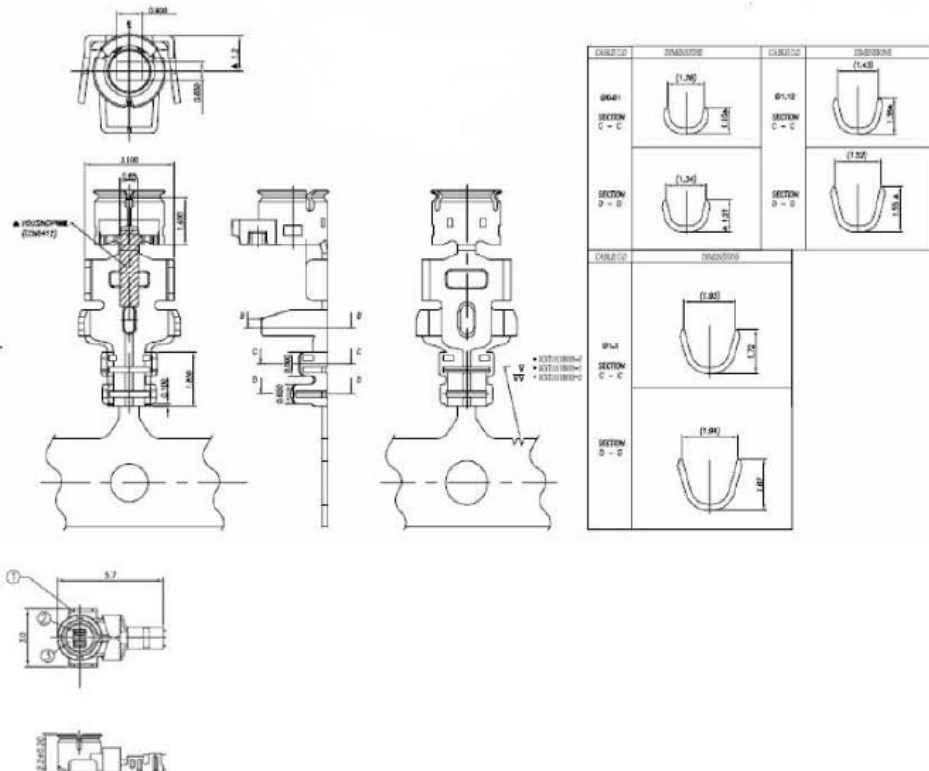
JESS-LINK PRODUCTS CO., Ltd

Product: Micro-Coaxial RF Connector – Plug

Part No. : Plug assembly: UCNT1010D001-X

Contact pin: MST0000091 / MST0000608

Reference Dimension:



Material:

- Material:** Shell - Phosphor Bronze, t=0.20 mm
 Contact - Phosphor Bronze, t=0.12 mm
 Housing – PBT, Black, UL94V-0
- Plating:** Shell - Under plated 50u" MIN Ni. All Over
 5 u" MIN Gold in Plated Area.
 Contact - Under plated 50u" MIN Ni. All Over
 15 u" MIN GOLD in Plated Area.

Specification:

Item	Specification	Conditions
Contact resistance	Center: 20 m ohms max. Outside: 10 m ohms max.	10 mA max.
Insulation resistance	500 M ohms min.	100 V DC
Withstanding voltage	No flashover or insulation breakdown.	200 V AC / 1 minute
V.S.W.R.	1.3 Max at 0.1~3.0GHz, 1.5Max at 3.0~6.0GHz	Up to 6GHz
Operating temperature range	-40°C to +90°C	
Nominal impedance	50 ohms	