

# 零組件承認/申請報告書

編號： E38739

2007/07/13

Alpha P/N : 505951082517G	申請者 :	主管 :
零組件品名 : ANT 2.4GHZ C037-510825-A WHITE		
零組件品名 :		
原製造廠商 :	原廠編號 : C037-510825-A	
代理商 :		
聯絡人 :	電話 : 0912058677	
應用機種 : DSL-2650BU		
COMMENTS :		
<b>結果</b>		
號		
<p style="font-size: 2em; color: red; opacity: 0.5; transform: rotate(-15deg);">REFERENCE ONLY</p>		
	承辦者 :	Pa NO : N/A
		日期 : 2007/07/12 13:31:15
結果	合格	審核
		2007/07/12 15:39:27

# 零組件承認/申請報告書

編號 E24682

2007/8/27

Alpha P/N : 505960079610G	申請者 :	主管 :
零組件品名 : ANT CABLE Mini 1.13 L=80mm		
原製造廠商 : 電	原廠編號 : THW0796A	
代理商 : 電		
聯絡人 :	電話 : 02-22988066	
應用機種 :		
COMMENTS :		
<b>結果</b>		
號		
主管 :	<input type="checkbox"/> 承辦者 :	Panton No: 日期 : // : :
結果	合格	審核 // : :

承 認 書  
SPECIFICATION FOR APPROVAL

客 戶  
CUSTOMER 明泰科技股份有限公司

---

日 期  
DATE 2006 / 08 / 09

---

品 名  
DESCRIPTION Mini 1.13 Cable Assembly (L=80)(K5A)  
With RP-SMA Bulkhead Jack & MHF

---

客 戶 料 號  
CUSTOMER P/N 505960079610G

---

成 品 編 號  
Part NO. THW0796A  
( 符合環保材 )

---



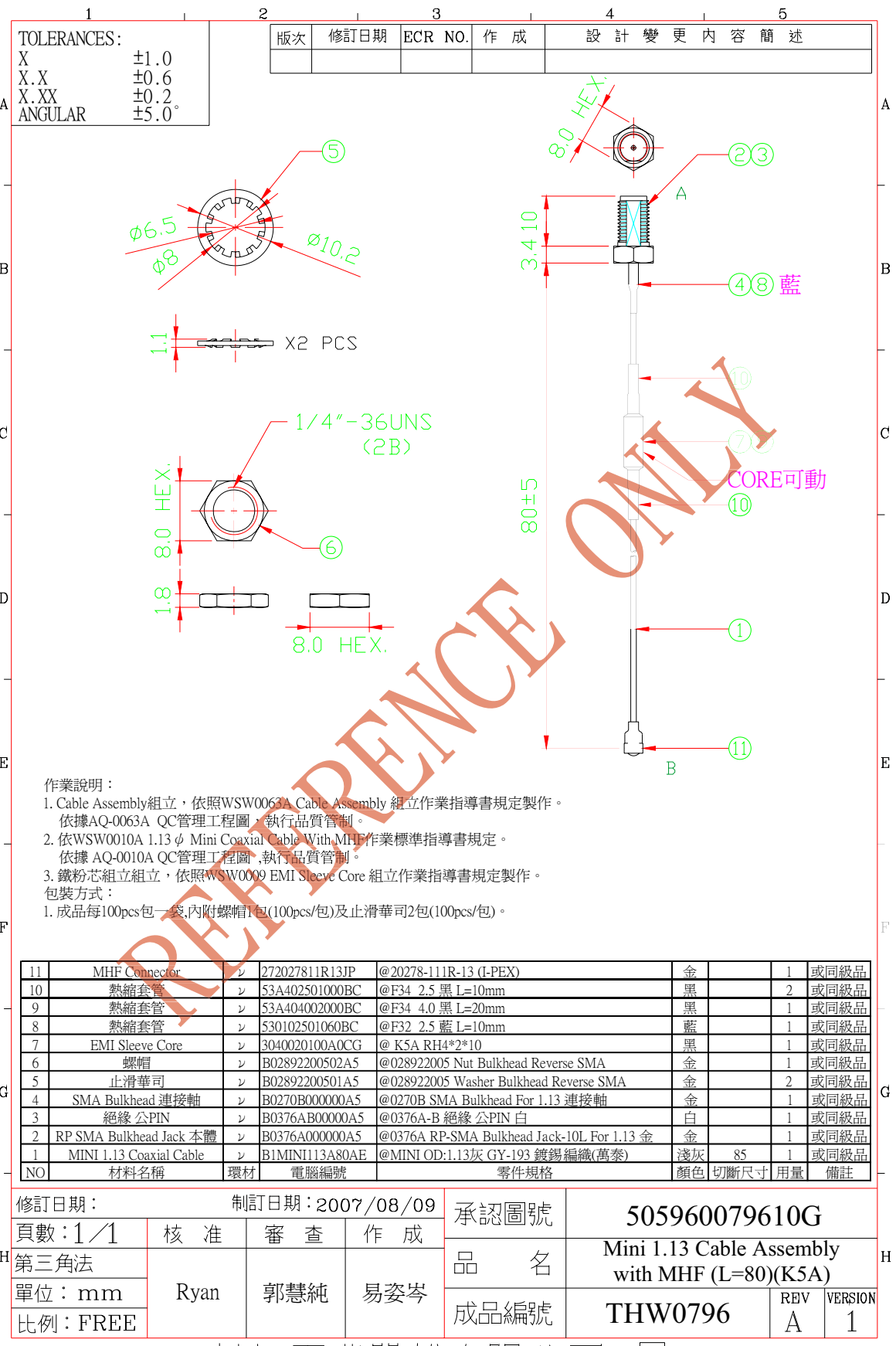
萬旭電業股份有限公司  
WANSHIH ELECTRONIC CO., LTD.  
台北縣五股鄉五工六路 72 號 3 樓  
3F 72 WU KONG 6TH RD., WU KU INDUSTRIAL DISTRICT  
TAIPEI HSIEN, TAIWAN, R.O.C.  
TEL : (02) 22988066 (5 LINE) FAX : (02)22981102

## Table of Contents

Table of Contents	1
Specification	2
Drawing	3
Cable Assembly Electrical Characteristic	
Return Loss	4
V.S.W.R	5
Attenuation	6
Material Sheet	
Mini 1.13 Coaxial Cable	7-9
RP-SMA Bulkhead Jack	10
MHF Connector	11-14
EMI Sleeve Core	15-17

## SPECIFICATION

1. Description : Mini 1.13 Cable Assembly  
with RP-SMA Bulkhead Jack & MHF
2. Customer : 明泰科技股份有限公司
3. Part No. : THW0796A
4. Coaxial Length : 80 mm (see Drawing)
5. Electrical Characteristics
  - Operating Frequency : 1~6 GHz
  - Impedance : 50 Ohm nominal
  - Attenuation. : -2.0dB Max.
6. Mechanical Characteristics
  - Connector : RP-SMA Bulkhead Jack  
: MHF
7. Raw Material
  - Coaxial Cable : Mini 1.13
  - Core : K5A RH4\*10\*2



TOLERANCES:

X	±1.0
X.X	±0.6
X.XX	±0.2
ANGULAR	±5.0°

版次	修訂日期	ECR NO.	作成	設計變更內容簡述

作業說明：  
 1. Cable Assembly組立，依照WSW0063A Cable Assembly組立作業指導書規定製作。  
 依據AQ-0063A QC管理工程圖，執行品質管制。  
 2. 依WSW0010A 1.13 φ Mini Coaxial Cable With MHF作業標準指導書規定。  
 依據AQ-0010A QC管理工程圖，執行品質管制。  
 3. 鐵粉芯組立組立，依照WSW0009 EMI Sleeve Core組立作業指導書規定製作。  
 包裝方式：  
 1. 成品每100pcs包一袋，內附螺帽1包(100pcs/包)及止滑華司2包(100pcs/包)。

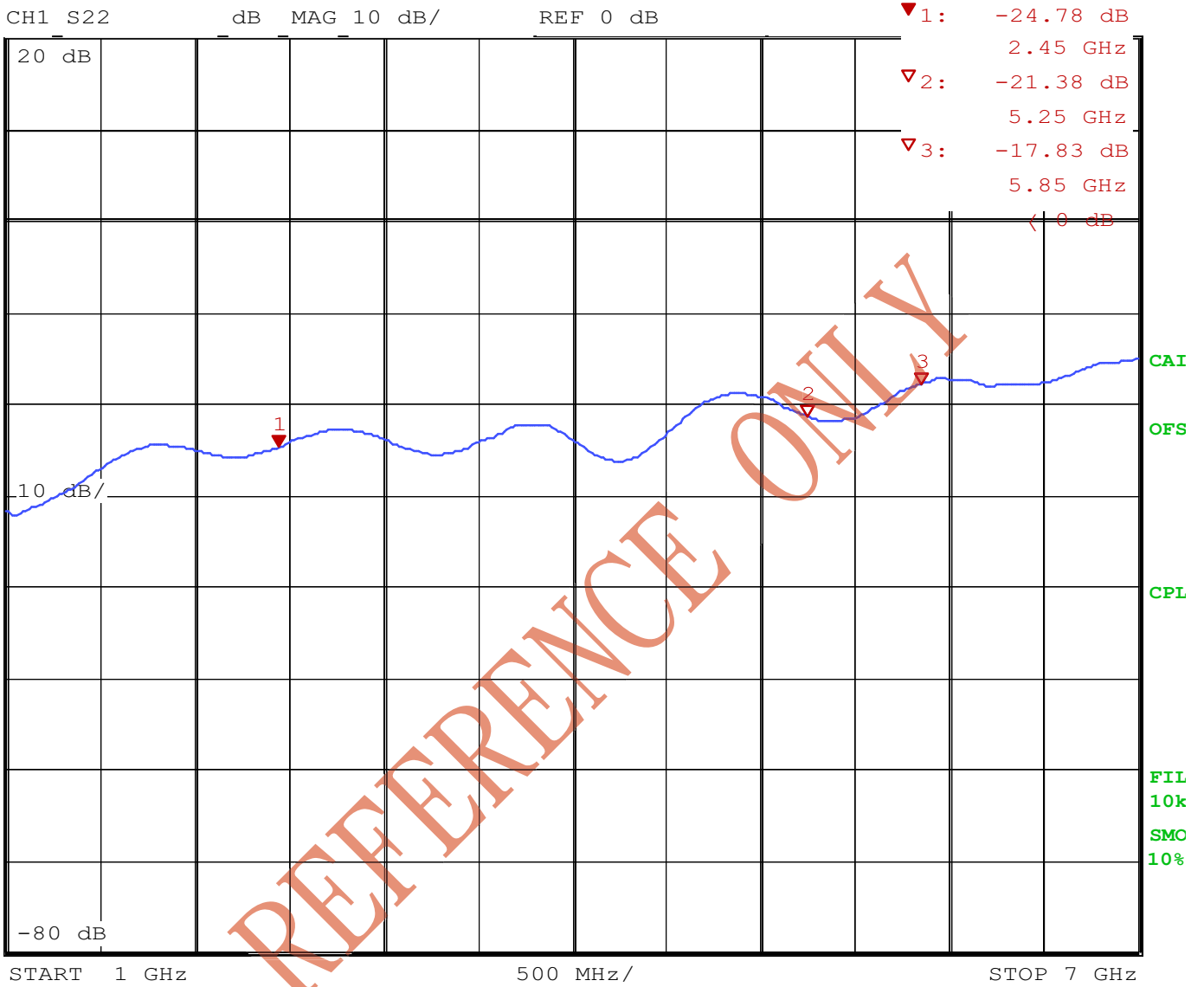
NO	材料名稱	環材	電腦編號	零件規格	顏色	切斷尺寸	用量	備註
11	MHF Connector	∩	272027811R13JP	@20278-111R-13 (I-PEX)	金		1	或同級品
10	熱縮套管	∩	53A402501000BC	@F34 2.5 黑 L=10mm	黑		2	或同級品
9	熱縮套管	∩	53A404002000BC	@F34 4.0 黑 L=20mm	黑		1	或同級品
8	熱縮套管	∩	530102501060BC	@F32 2.5 藍 L=10mm	藍		1	或同級品
7	EMI Sleeve Core	∩	3040020100A0CG	@ K5A RH4*2*10	黑		1	或同級品
6	螺帽	∩	B02892200502A5	@028922005 Nut Bulkhead Reverse SMA	金		1	或同級品
5	止滑華司	∩	B02892200501A5	@028922005 Washer Bulkhead Reverse SMA	金		2	或同級品
4	SMA Bulkhead 連接軸	∩	B0270B000000A5	@0270B SMA Bulkhead For 1.13 連接軸	金		1	或同級品
3	絕緣 公PIN	∩	B0376AB00000A5	@0376A-B 絕緣 公PIN 白	白		1	或同級品
2	RP SMA Bulkhead Jack 本體	∩	B0376A000000A5	@0376A RP-SMA Bulkhead Jack-10L For 1.13 金	金		1	或同級品
1	MINI 1.13 Coaxial Cable	∩	B1MINI113A80AE	@MINI OD:1.13灰 GY-193 鍍錫編織(萬泰)	淺灰	85	1	或同級品

修訂日期：		制訂日期：2007/08/09		承認圖號	505960079610G		
頁數：1/1	核准	審查	作成	品名	Mini 1.13 Cable Assembly with MHF (L=80)(K5A)		
第三角法	Ryan	郭慧純	易姿岑		成品編號	THW0796	REV A
單位：mm							
比例：FREE							

萬旭電業股份有限公司 50文件編號：FMT-0513-D7

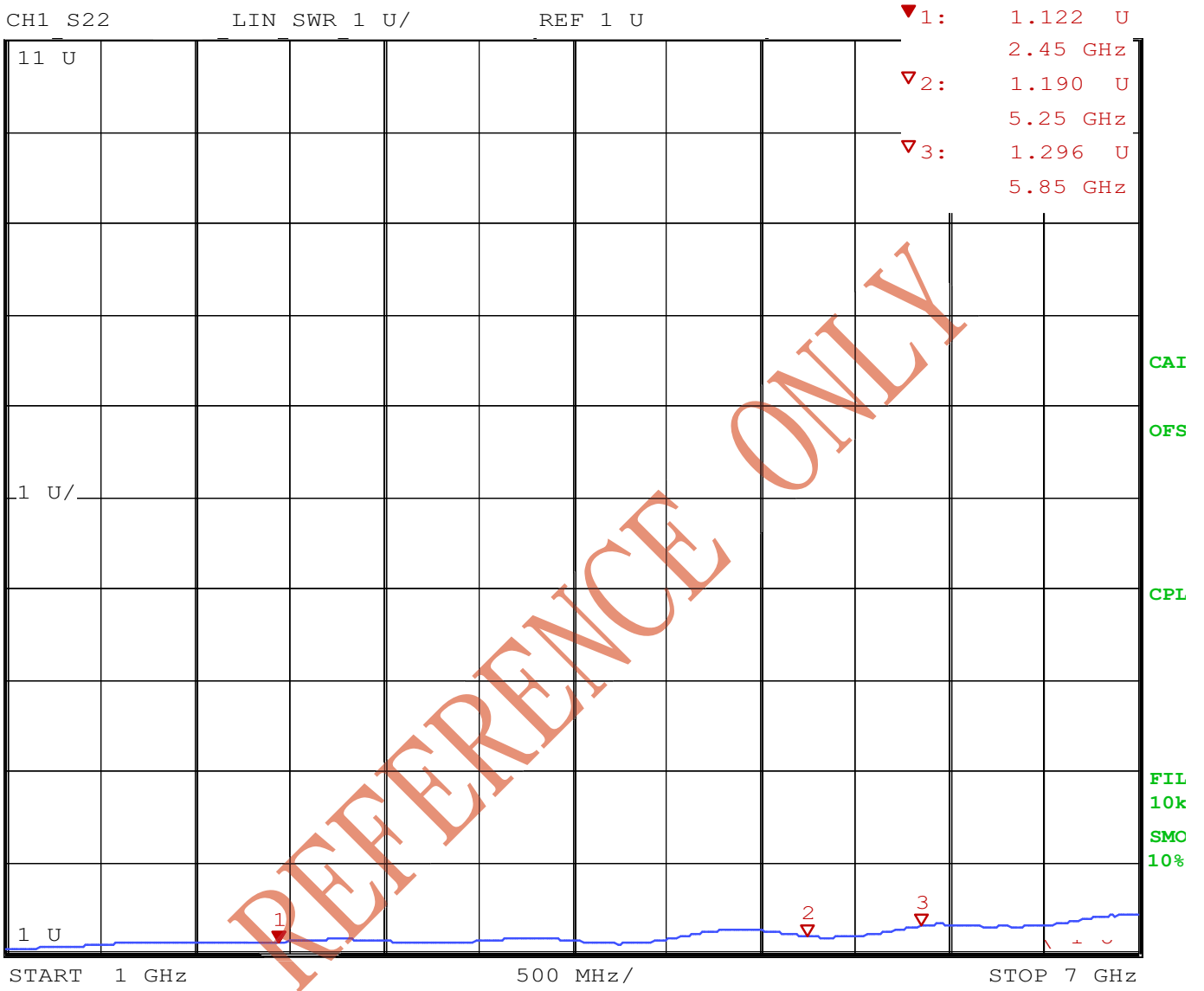
# Electrical Characteristic

## Return Loss



# Electrical Characteristic

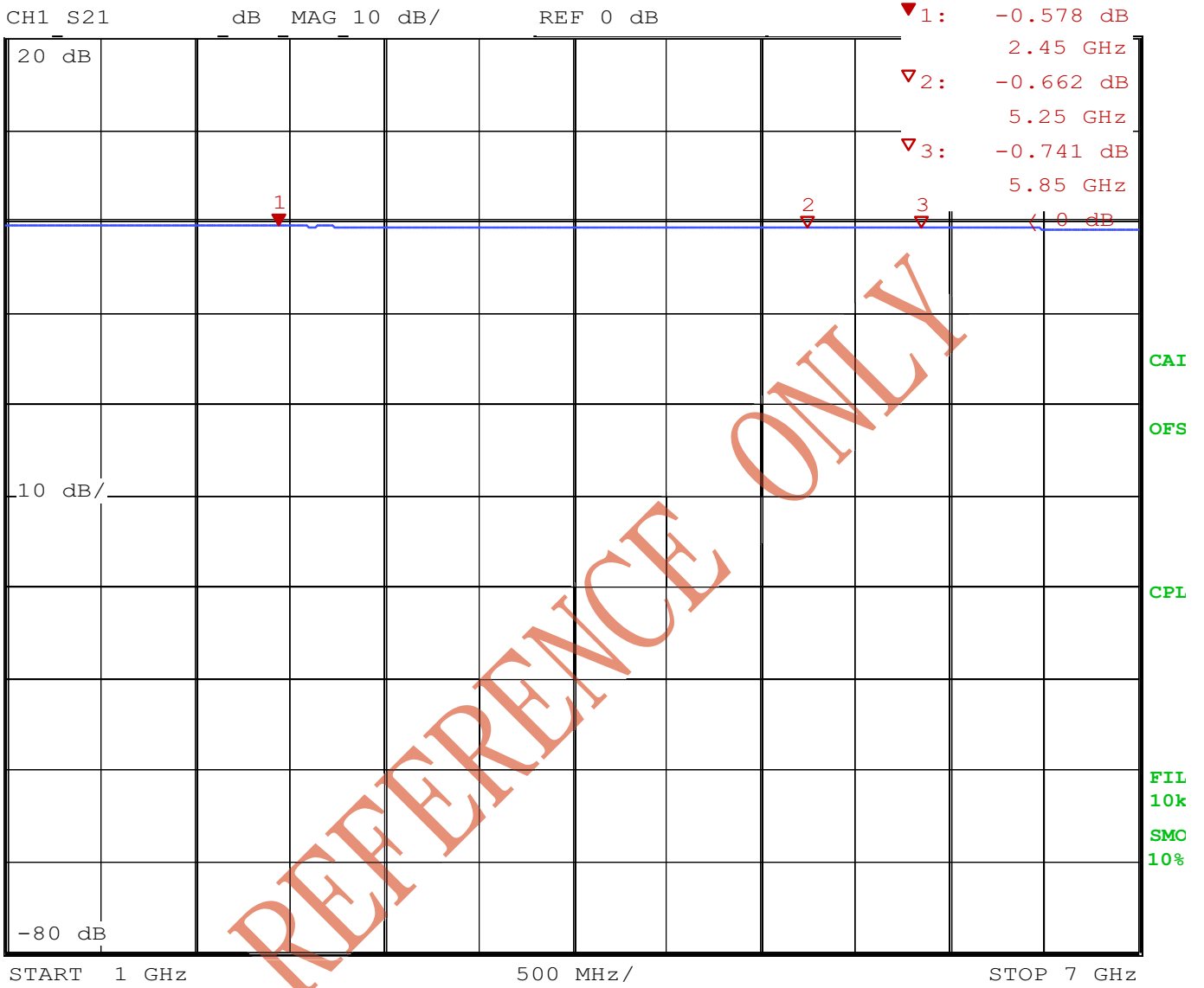
## V.S.W.R





# Electrical Characteristic

## Attenuation



# Material Data Sheet

## Mini-1.13 Coaxial Cable

### SPECIFICATION FOR APPROVAL

DOCUMENT: A3132TS001

STYLE : COAXIAL CABLE  
105°C 30V

SIZE: 32AWG×1C  
BRAID : TS

RECOGNIZED: UL 1979



WONDERFUL HI-TECH CO.,LTD.

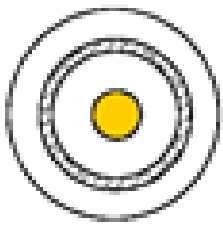
OFFICE : 72WU KONG 6TH ROAD,  
WU KU IND. DISTRICT  
TAIPEI HSIEN,TAIWAN

TEL : (02)22988033  
FAX : (02)22988031-2

FACTORY : 17 PEI YUAN ROAD,  
CHUNG-LI IND. PARK  
TAIWAN, R.O.C.

TEL : (03)4527777  
FAX : (03)4517214

**WONDERFUL HI-TECH CO., LTD.**  
**SPECIFICATION**

STYLE	105°C 30V UL 1979	DOCUMENT NO : A3132TS001	
SIZE	32AWG	ESTABLISHED DATE: 2005/05/11	
STANDARD :			
Conductor	Size	AWG	32
	Material	----	Silver Cover Copper
	Conductors No.	----	7
	Conductors Size	mm	0.080
	O.D.	mm	0.240
Insulation	Average Thickness	mm	0.22
	Diameter	mm	0.68 ± 0.02
	Material	----	FEP
	Color	----	Clear
Braid	Material	----	Tinned Copper
	Construction	mm	16 / 4 / 0.050
	Coverage	%	90
Jacket	Average Thickness	mm	0.13
	Diameter	mm	1.13 ± 0.05
	Material	----	FEP
	Color	----	According to custom
Marking	Non		
Drawing			

AK001/210X297/1.0

PAGE : 1

EDITION : 1.1

MAKER : C.Y.CHEN

CONFIRM : S.N.WONG

APPROVAL : W.J.WANG



# WONDERFUL HI-TECH CO., LTD. SPECIFICATION

Electrical & Physical Properties					
Item		32AWG			
Rating Temp Voltage		105°C 30V			
Conductor Resistance		545 OHM/KM/20°C MAX.			
Insulation Resistance		1000 MEGA OHM/KM MIN.			
Dielectric Strength		AC 500 V/Minute			
Spark Test		2.5 KV			
Insulation	Unaged	Tensile Strength	2500 PSI MIN.(1.36 Kg / m <sup>2</sup> )		
		Elongation	200% MIN.		
	Aged	Tensile Strength	UNAGED MIN. 75%(168HRS×232°C)		
		Elongation	UNAGED MIN. 75%(168HRS×232°C)		
Jacket	Unaged	Tensile Strength	2500 PSI MIN.( 1.76 Kg / m <sup>2</sup> )		
		Elongation	200% MIN.		
	Aged	Tensile Strength	UNAGED MIN.75%(168HRS×232°C)		
		Elongation	UNAGED MIN.75%(168HRS×232°C)		
Nom. Impedance		50 ± 3 Ohms			
Nom. Capacitance		96 ± 3 pF/m			
Nom. Vel. of Prop.		69%			
VSWR Test (0 – 6 GHZ)		Less 1.3			
Flame Test		VW-1 OK			
Attenuation (dB/1m)	2.0GHZ	2.4GHZ	2.5GHZ	5.0GHZ	6.0 GHZ
	2.80	3.10	3.15	4.85	5.20

AK001/210X297/1.0

PAGE : 2

EDITION : 1.1

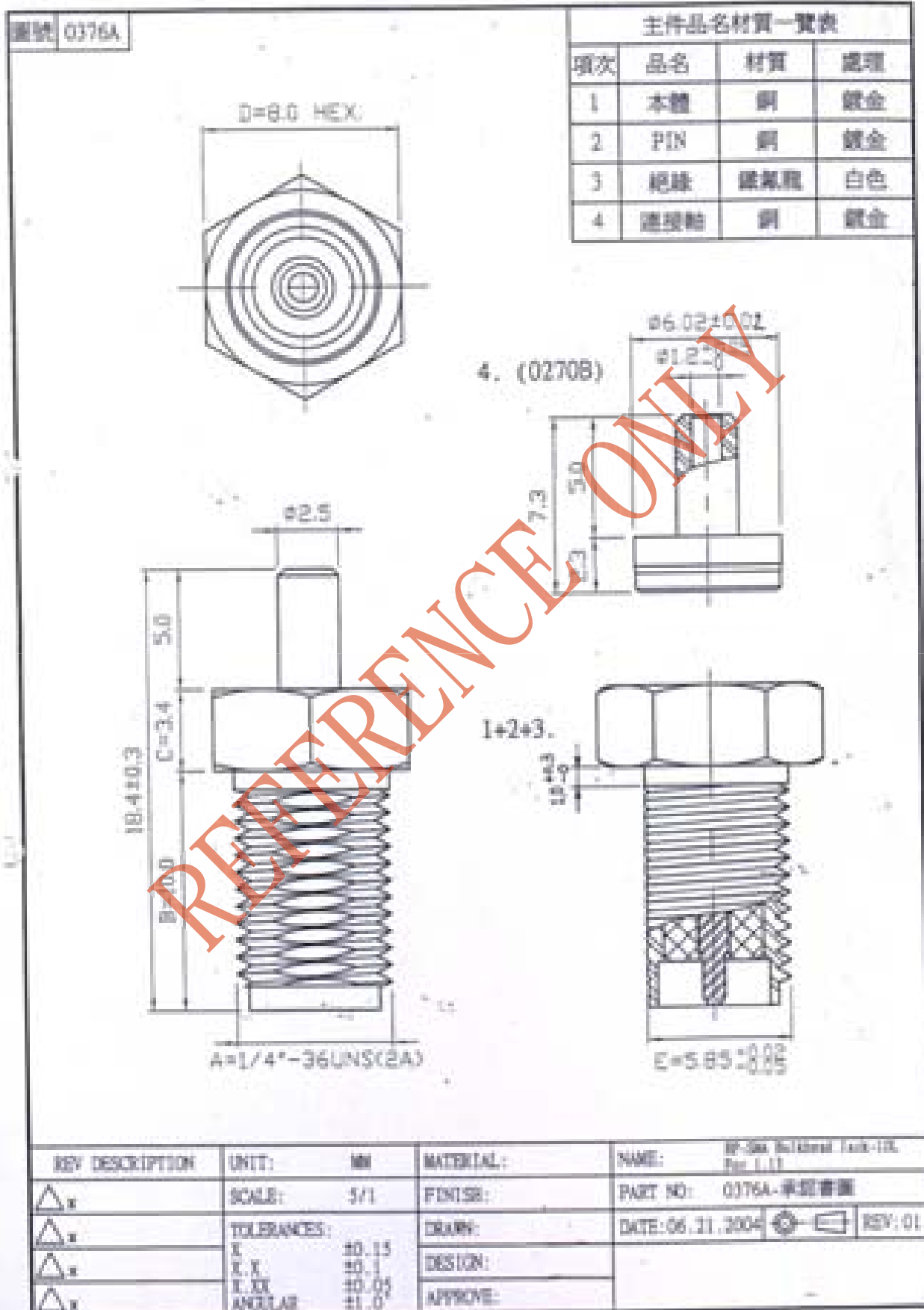
MAKER : C.Y.CHEN

CONFIRM :S.N.WONG

APPROVAL : W.J.WANG

# Material Data Sheet

## RP-SMA Bulkhead Jack



# Material Data Sheet

## MHF Connector

**PART NO.**  
20278-11R-08

**Cable Assy**  
Plug  
P/N 20278-11R-08  
P/N 20278-11R-13  
P/N 20278-11R-32

**Coaxial cable**  
Receptacle  
Part No. 20279-001E-01

**MATING**

**Part No. 20278-101R-08**  
20278-101R-13  
20278-101R-32

For hand tool  
(with notch)

**Part No. 20278-111R-08**  
20278-111R-13  
20278-111R-32

For semi auto  
termination machine  
(without notch)

**Part No. 20278-111R-08**  
20278-111R-13  
20278-111R-32

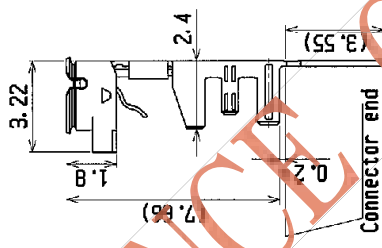
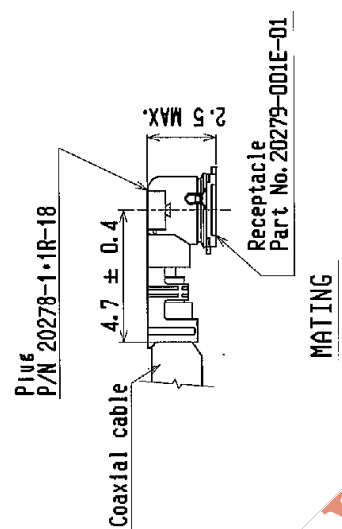
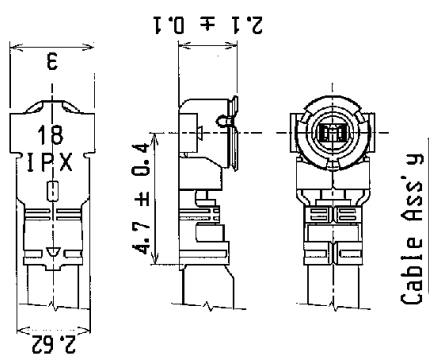
For semi auto  
termination machine  
(without notch)

DATE JUN/13/01  
DESIGN D BY K. Ohbayashi  
CHK D BY K. Ohbayashi  
DATE JUN/13/01  
APP D BY K. Ohbayashi  
DATE JUN/13/01  
REV ECN BY DATE APP  
REV RECORD  
REV. RECORD  
APP SERIES No. 2814  
CUSTOMER COPY  
SCALE UNIT DWG. No. 20278  
SHEET REV. 1/4 17C

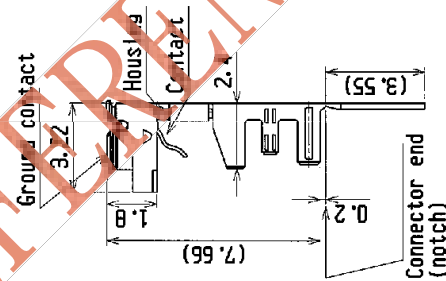
**GENERAL TOLERANCE**  
6 MAX. ±0.2  
6 OVER MAX. 30 ±0.3  
30 OVER MAX. 120 ±0.5  
ANGLE ±2°

**INTERCONNECT**  
I-PEX  
Interconnect of Panasonic Electronics TOKYO, JAPAN  
TITLE MHF series micro coaxial connector plug vertical (ground contact : gold plating)  
PROJECTION 6/1 mm

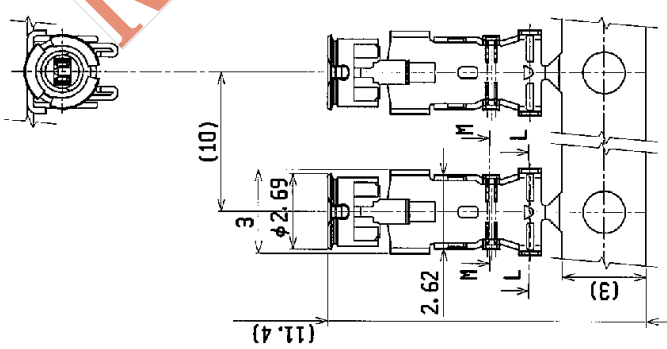
PART NO.  
20278-1R-18



Part No. 20278-11R-18  
For semi auto  
termination machine  
(without notch)



Part No. 20278-10R-18  
For hand tool  
(with notch)



GENERAL TOLERANCE	
6 MAX.	±0.2
6 OVER MAX. 30	±0.3
30 OVER MAX. 120	±0.5
ANGLE	±

DESIGN'D BY		DATE	 Interconnect and Potassium Electroplating TOKYO, JAPAN		
CHK'D BY		DATE			
APP'D BY		DATE			
REV	ECN	BY	DATE	APP	TITLE
					MHF series micro coaxial connector plus vertical (ground contact : gold plating)
REV. RECORD		PROJECTION		SCALE	UNIT
SERIES No. 2814		CUSTOMER COPY		8/1	MM
		DWS. No.		20278	SHEET REV.
		COPY			2/4, 17C

REFERENCE ONLY

WAS T

FORM REV. 4

Part No.	20278-101R-08 20278-111R-08	20278-101R-13 20278-111R-13	20278-101R-32 20278-111R-32	20278-101R-18 20278-111R-18	Cable cut length
Housing color	White	Black	Black	White	
Applicable cable nominal dimension	2.09±0.1 1.25±0.1 1.16±0.1	2.09±0.1 1.25±0.1 1.16±0.1	2.09±0.1 1.25±0.1 1.16±0.1	2.09±0.1 1.25±0.1 1.16±0.1	
Jacket	Outer conductor silver plating Dielectric core Inner conductor silver plating	Outer conductor silver plating Dielectric core Inner conductor silver plating	Outer conductor silver plating Dielectric core Inner conductor silver plating	Outer conductor silver plating Dielectric core Inner conductor silver plating	
	φ0.81 Nominal φ0.4 Nominal φ0.55 φ0.4 Nominal φ0.55	φ1.13 Nominal φ0.93 Nominal φ0.68 φ0.93 Nominal φ0.68	φ1.32 Nominal φ1.12 Nominal φ0.66 φ1.12 Nominal φ0.66	φ1.8 Nominal φ0.84 Nominal φ1.35 φ0.84 Nominal φ1.35	
	AMK35(7/0.5)	AMK32(7/0.8)	AMK32(7/0.8)	AMK30(7/0.102)	
	* NOTE-1	* NOTE-1	* NOTE-1	* NOTE-1	
Braided shield of Outer conductor 外部導体の編組	Single / 1重編組	Single / 1重編組	Double / 2重編組	Single / 1重編組	
P/N of hand Tool	90187-008C	90187-013C	90187-032C	90233-018	
P/N of seal auto termination machine	90213-008C	90213-013C	90213-032C	90232-018	
Sect. M-M					
Sect. L-L					
Crimp Height	CH-1 1.34~1.40 CH-2 0.76~0.84 CH-3 0.85~0.97	1.34~1.40 1.06~1.14 1.15~1.35	1.34~1.40 1.20~1.30 1.26~1.46	1.34~1.40 1.41~1.49 1.70~1.80	

NOTE-1  
中心導体、外部導体への半田コティングは不可  
Must not use solder coated  
inner conductor and outer conductor.

**I-PEX** Interconnect and Pasternak Electronics TOKYO, JAPAN

TITLE: MIF series micro coaxial connector plus vertical (ground contact : gold plating)

SCALE: UNIT: DIM. No. 20278

REVISION: SHEET: REV. 9/4 17C

DESIGN'D BY: DATE

CHK'D BY: DATE

APP'D BY: DATE

REV. REC'D BY: DATE

APP: PROJECTION

SERIES No. 2814

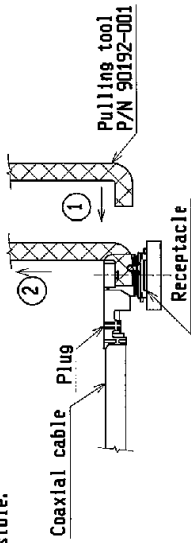
CUSTOMER COPY

FORM REV. 4

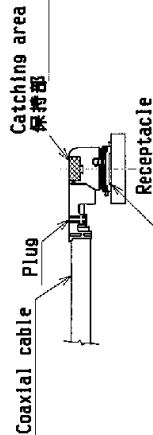


5-2 Unmating.

(1) In case of unmating by pulling tool.  
Please use the pulling tool as the following drawing, and please pull plug to vertical direction as directly as possible.



(2) In case of unmating directly by hand  
Please catch the catching area of plug, and please pull plug to vertical direction as directly as possible.



5-3 Crimp over standards of outer conductor

Standards: Less than 10% from total numbers of outer conductor  
(Numbers of outer conductor's crimp over from outer conductor's barrel)

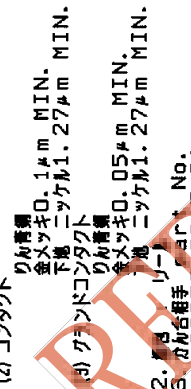
5-4 Caution about Heat shrinkage tubes

Please be careful not to melt housing when using heat shrinkage tubes. It will become cause of open circuit.

6. This is 'Pb-free' connector.

5-2 コネクタ抜き時

(1) 抜きシグを用いる場合  
下図のようにできるだけ垂直に引き抜いて下さい。



(2) 手で直接引き抜く場合  
下部の握持部をつかみ、できるだけ垂直に引き抜いて下さい。



5-3 外部導体はみ出し量

外部導体はみ出し量測定  
: 外部導体トータル本数の10%以下  
(外部導体バレルの外にみ出し量)

5-4 熱収縮チューブについて  
の注意  
熱収縮チューブで外部導体保護の場合は、熱収縮不良の原因になりますので、熱収縮チューブを剥離させないよう注意してください。

6. 本コネクタは 'Pb-free' である

1. 材料

- (1) ハウジング : PBT, UL94V-0
- (2) コンタクト  
リチウム青銅 0.1μm MIN.  
金メッキ 1.27μm MIN.
- (3) グランドコンタクト  
リチウム青銅 0.05μm MIN.  
金メッキ 1.27μm MIN.
- 2. 梱包  
リール
- 3. 組立相手  
Part No. : 20279-001E-01
- 4. コネクタの許容負荷に対する荷重

5. Suggestions for mating & unmating operation.

5-1 Mating.  
Please mate the connector straightly to vertical direction as much as possible, adjusting the mating axis of plug and receptacle.  
As excessive slant angle mating may break the connector, please don't do it.



5. コネクタの挿入時

5-1 コネクタ挿入時  
できるだけ垂直に挿入して下さい。  
過度な斜めの挿入は行わないで下さい。  
コネクタの構造の崩壊と成りますので、過度な斜め挿入は行わないで下さい。

5-1 コネクタ挿入時

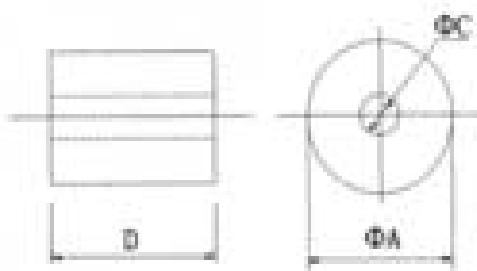


Please mate the connector straightly to vertical direction as much as possible, adjusting the mating axis of plug and receptacle.  
As excessive slant angle mating may break the connector, please don't do it.

DESIGN D BY		DATE	I-PEX Interconnect and Packaging Electronics TOKYO, JAPAN	
CHK D BY		DATE	TITLE MHF series micro coaxial connector plug vertical (ground contact : gold plating)	
APP D BY		DATE	SCALE UNIT -/- (mm)	
REV. EGN	BY	DATE	APP	CUSTOMER COPY
REV. RECORD		2814	PROJECTION	
SERIES No.		2814	DWG. No. 20278	
FORM REV. 4		SHEET 4/4		REV. 17C



# INSPECTION DATA

ISSUE NO: WC-RB-039

CUSTOMER	萬旭電業股份有限公司	DATE	2003/10/9	Quantity	0 pcs								
PART NO.	10-13-040020100-0												
ITEM	K5A RH 4X2X10												
COIL SPEC	0.05 Φ I 63 mm T.C.W I TS												
COIL DATA	Q0=                  C0=                  (PF)												
TEST FREQ	F0=                  Hz Ft= 25,100 MHz												
TEMPERATURE	28 ℃      Humidity      87 %												
ELECTRIC CHAREC.						DIMENSION(Unit:mm)							
	L	Q	Z(25)	Z(100)	A	B	C	D	E	F	G	H	I
SP			35.00	60.00	4.00		2.00	10.00					
+					0.20		0.15	0.40					
-			0	0	0.20		0.15	0.40					
1			45.00	82.00	3.96		2.02	9.95					
2			47.00	84.00	3.93		2.03	9.98					
3			46.00	82.00	3.92		2.04	9.96					
4			47.00	82.00	3.94		2.03	9.98					
5			45.00	81.00	3.95		2.08	9.96					
6			46.00	80.00	3.93		2.05	10.00					
7			46.00	81.00	3.95		2.03	10.02					
8			46.00	81.00	3.93		2.07	9.95					
9			46.00	80.00	3.92		2.09	9.93					
10			45.00	82.00	3.96		2.05	9.97					
Σ			45.90	81.50	3.94		2.05	9.97					
R			2.00	4.00	0.05		0.07	0.09					
TEST INSTRUMENTS						INSP No:							
1. IMPEDANCE ANALYZER: HP4191A													
REMARK:						Inspected		Checked		Approved			
													

CORE-TECH CORPORATION

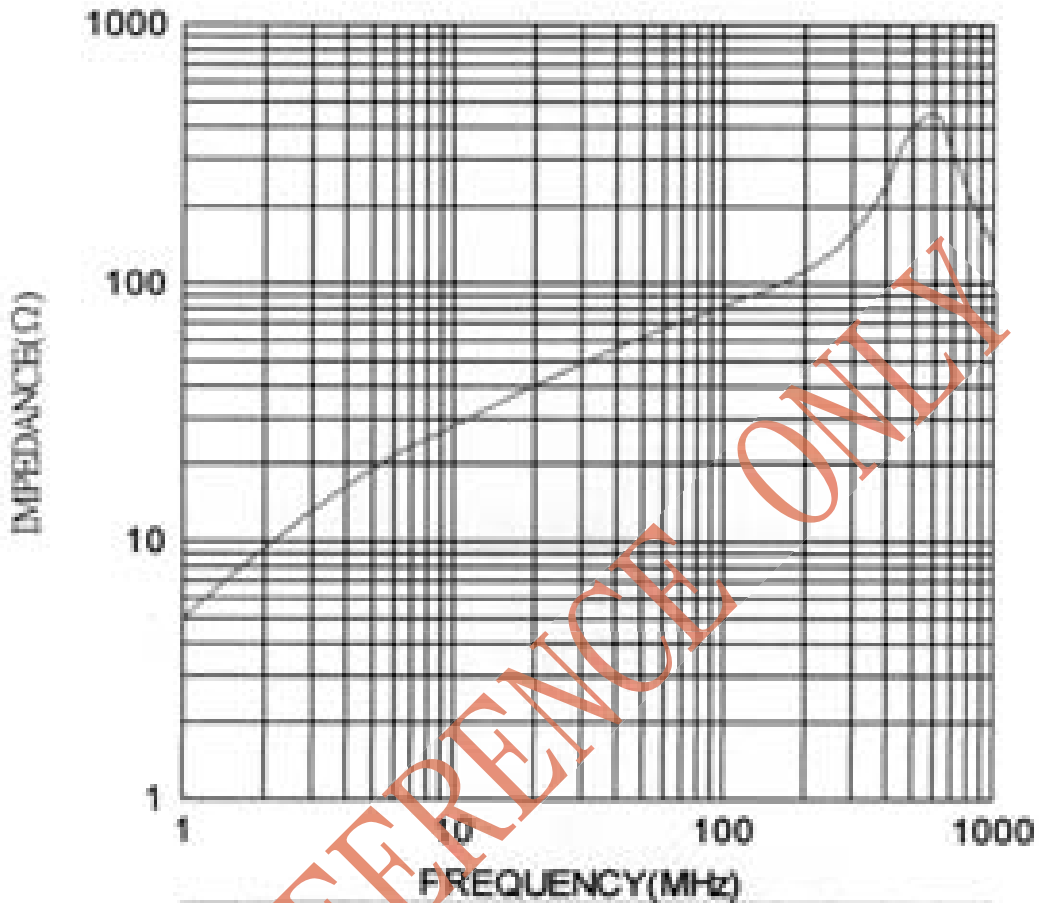
TEL: 03-42612116  
FAX: 03-42612116

## Z-F RESPONSE

K5A RH 4X2X10

1. TEST INSTRUMENT: HP4191A

2. WINDING: 0.65  $\Phi$  X63 mm T.C.  $\nabla$  ITS



	1	5	10	25	50	100	200	300	400	500	600	700	800	900	1000
Z—	5	15	26	45	82	82	113	160	244	392	452	322	239	176	141

(DATA BETWEEN 500MHz AND 1000MHz ARE FOR REFERENCE ONLY)

### CORE-TECH CORPORATION

<http://www.coretechweb.com.tw>

E-mail: coretech@pts1.seed.net.tw

TEL: 03-4861211 FAX: 03-4861210



WHA YU INDUSTRIAL CO., LTD. (HEAD OFFICE)  
 DONGGUAN AEON TECH CO.,LTD.(CHINA)  
 TAI HWA ELECTRONIC CO., LTD.(CHINA)  
 SHANGHAI HUA YU ELECTRONIC CO., LTD.(CHINA)  
 SU ZHOU AEON TECH CO., LTD. (CHINA)

## SPECIFICATION FOR APPROVAL

**CUSTOMER:** 明泰科技股份有限公司


**PART NAME:** RF Antenna Assembly

**PART NO.:**

**REVISION:**

**W. Y. P/NO.:** C037-510825-A(SSR-72055)

**REV.:** XI

	MANUFACTURER SIGNATURE	CUSTOMER SIGNATURE
APPROVED BY :	Andrew Liu 	
DATE :	2002.02.04	

### WHA YU GROUP

WHA YU INDUSTRIAL CO., LTD.(HEAD OFFICE)

華裕實業股份有限公司

Address: No. 326, Sec. 2, Kung Tao 5 Road, Hsin Chu City, Taiwan, R.O.C.

Tel: +886-3-5714225(REP.) Fax: + 886-3-5713853 · + 886-3-5723600

DONGGUAN AEON TECH CO., LTD.(CHINA)

東莞台霖電子通訊有限公司

Address: Lakeside Industrial Park, Da Ling Shan Town, Dong Guan City, Guangdong, China

Tel: + 86-769-85655858 Fax: + 86-769-8565525

TAI HWA ELECTRONIC FACTORY

台樺電業製品廠

Address: Pak Ho District, Hou Street Town, Dong Guan City, Guangdong, China

Tel: + 86-769-85599375 · + 86-769-85912375 Fax: + 86-769-85599376

HUA HONG INTERNATIONAL LTD.

華弘國際有限公司

Address: Rm.1103A, President Commercial Centre, 608 Nathan Road, Mong Kok, Kowloon, Hong Kong

Tel: + 86-852-27712210 Fax: + 86-852-23843747

SHANGHAI HUA YU ELECTRONIC CO., LTD. (CHINA)

上海華裕電子有限公司

Address: 3586, Wai Qing Song Road, Qing Pu County, Shanghai China

Tel: + 86-21-59741348 · + 86-21-59744101-4 Fax: + 86-21-59741347

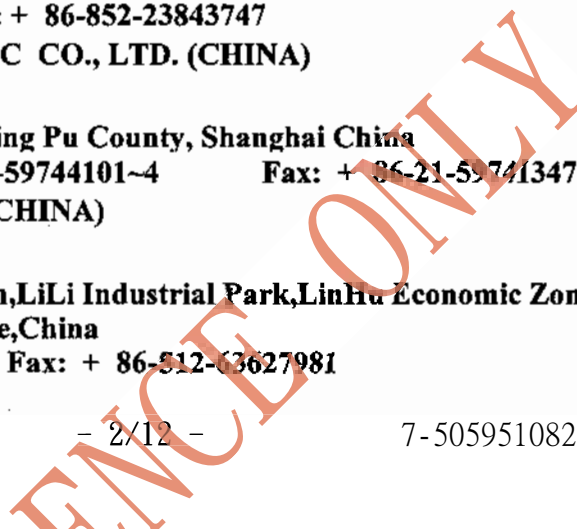
SU ZHOU AEON TECH CO., LTD. (CHINA)

蘇州華廣電通有限公司

Address: Limin North Road, LiLi Town, LiLi Industrial Park, LinHu Economic Zone

Wujiang City, Jiangsu Province, China

Tel: + 86-512-63627980 Fax: + 86-512-63627981



# Contents

<b>Item</b>	<b>Description</b>	<b>Page</b>
1. ....	天線規格表	..... 1
2. ....	成品圖	..... 2
3. ....	測試報告	..... 3~5
4. ....	<b>Cable</b> 規格	..... 6~7
5. ....	<b>Connector</b> 規格	..... 8

REFERENCE ONLY

# RF Antenna Cable Assembly

## Specification

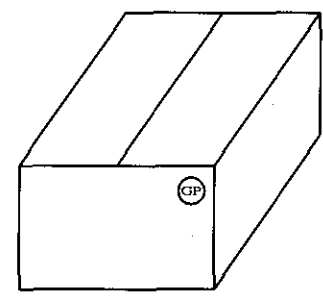
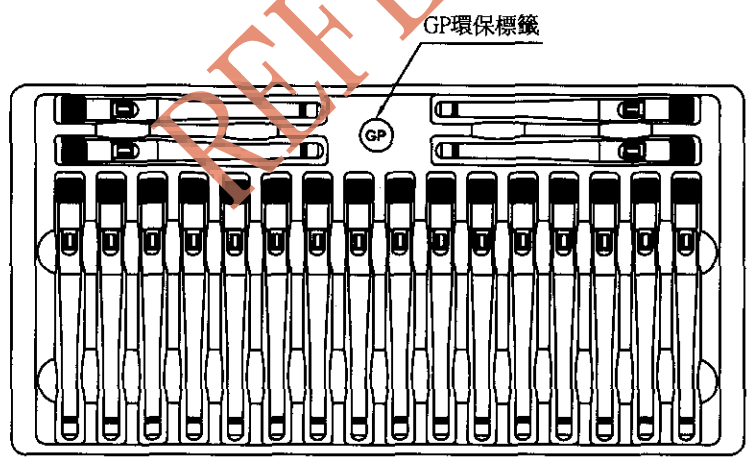
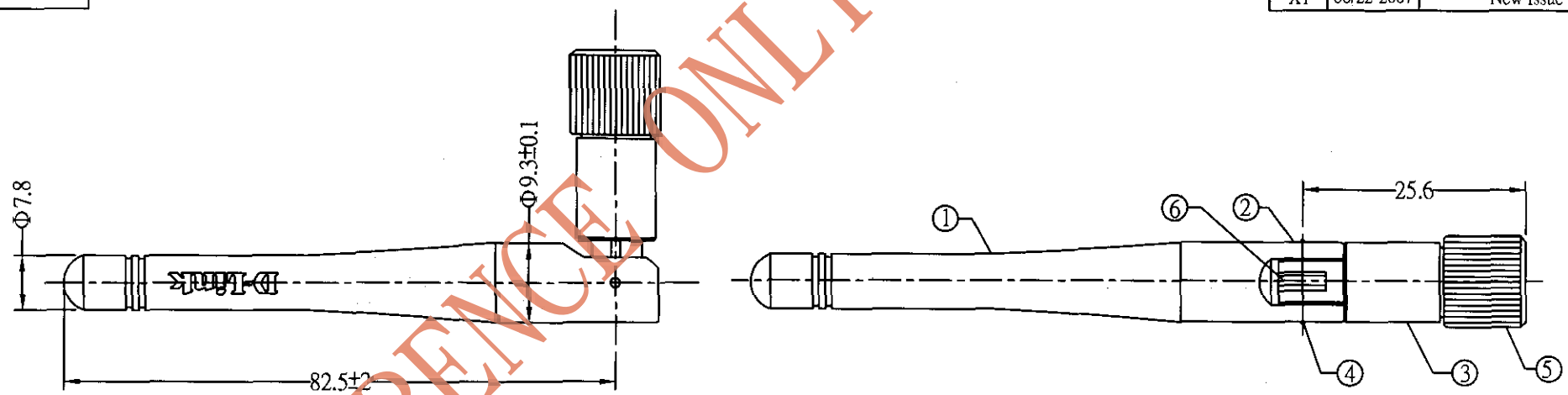
### 1. Electrical Properties :

- 1.1 Frequency Range..... 2.4GHz ~ 2.5GHz
- 1.2 Impedance ..... 50Ω Nominal
- 1.3 VSWR ..... 1.92 : 1 Max.
- 1.4 Return Loss..... -10 dB Max.
- 1.5 Radiation ..... Omni-directional
- 1.6 Gain(peak)..... 1.8dBi typ.
- 1.7 Polarization..... Linear; Vertical
- 1.8 Admitted Power..... 1W
- 1.9 Cable..... RG-178 Coaxial Cable
- 1.10 Connector..... SMA Plug Reverse

### 2. Physical Properties :

- 2.1 Antenna Cover..... TPE
- 2.2 Antenna Base..... PC
- 2.3 Antenna Base..... PBT
- 2.4 Operating Temp. .... -10 , ~ +60 ,
- 2.5 Storage Temp. .... -10 , ~ +70 ,
- 2.6 Color ..... White

REV	DATE	DESCRIPTION
X1	06/22-2007	New Issue



NO	DESCRIPTION	QTY	REMARK
6	Cable	1	RG-178 Cable, Transparency Brown, 50Ω
5	Connector	1	SMA Straight Plug/Reverse
4	Rivet	2	POM, Color: White
3	Bottom Fixed	1	PBT, Color: White(WY-048)
2	Upper Fixed	1	PC, Color: White(WY-048)
1	Antenna Cap	1	TPE, Color: White(WY-048)

CUSTOMER'S SIGNATURE	XX ±5	APPROVED	CUSTOMER: 明 泰		
	X ±3.0	CHECKED	PART NO :		
	X ±1.0		PART NAME: RF Antenna Assembly		
	.XX ±0.5		W.Y P/NO : C037-510825-A		
	.XXX ±0.1	DRAWING	REV	UNIT	FILE : SSR-72055
			X1	m/m	SHEET : 1/1

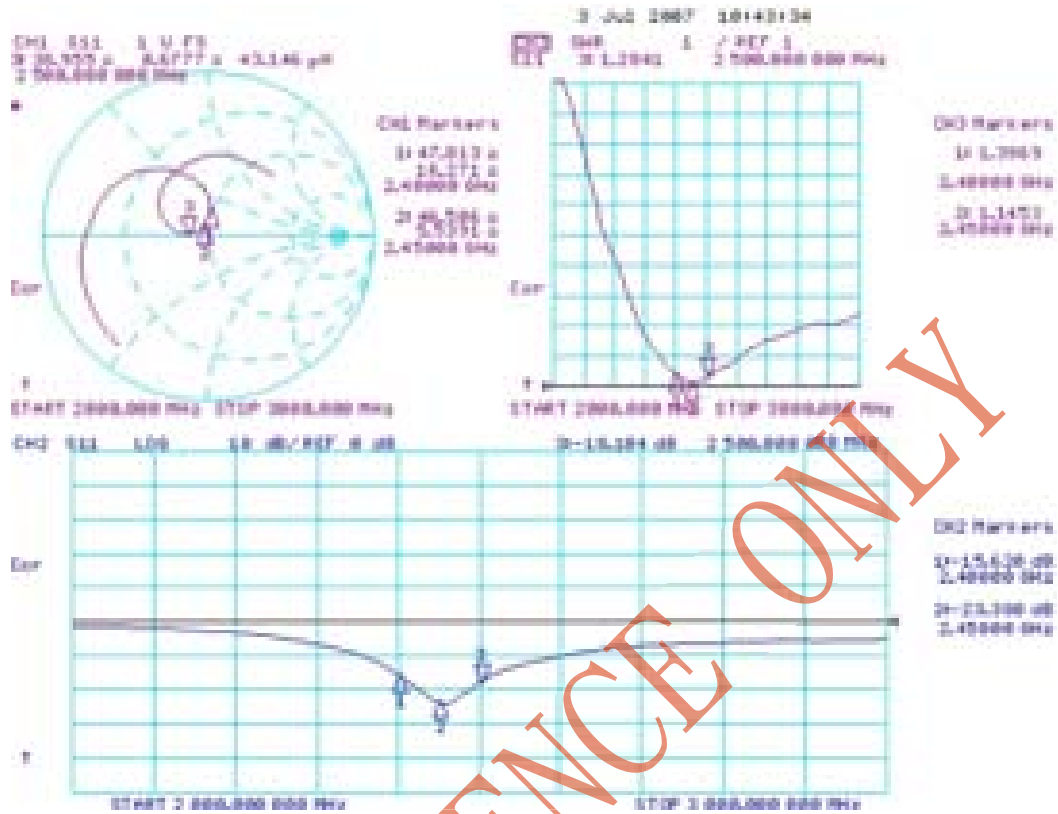
**M.gear** Wha Yu Group

THIS DRAWING, AND ITS INHERANT DESIGN CONCEPTS, ARE THE PROPERTY OF WHA YU AND AS SUCH MAY NOT BE COPIED, REPRODUCED, OR GIVEN TO THIRD PARTIES WITHOUT THE WRITTEN CONSENT OF WHA YU.



## RF Antenna Assembly

P/NO :C037-510825-A(SSR-72055) SPEC : 2.4~2.5GHz



2007/7/3