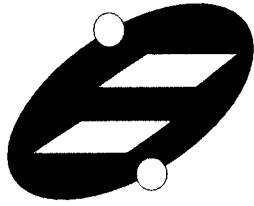


Alpha P/N : 505924090117G		申請者：顧崇輝	主管：張世宗				
零組件品名：ANT 2.4G C037-510695-A							
原製造廠商：(500770)譚裕實業股份有限公司		原廠編號：C037-510695-A					
在台代理商：譚裕		連絡人：李春華	電話：03-5714225 ex1517				
應用機種：WUP-G01							
COMMENTS：							
<table border="1"> <tr> <td>測試結果</td> <td colspan="3"></td> </tr> </table> <p>在 WUPG01 機種上測試 OK</p> <p>暫時料號轉正式料號</p> <p>R/D 顧崇輝更新 SGS 報告</p> <p>檢驗重點</p> <ol style="list-style-type: none"> 1. 外觀 2. 尺寸 3. 型號 <p style="text-align: right;">//顧崇輝 #3566</p> <p>主管：王椅楠 承辦者：陳逸民</p> <p> 測試人： 日期：</p>				測試結果			
測試結果							
機構	R&D		PM				
生技	資材		品管				
結果	合格	否決	其它				
	審核		王椅楠				



WHA YU INDUSTRIAL CO., LTD. (HEAD OFFICE)
 TAI HWA ELECTRONIC CO., LTD.(CHINA)
 SHANGHAI HUA YU ELECTRONIC CO., LTD.(CHINA)
 AEON TECH CO., LTD. (CHINA)

SPECIFICATION FOR APPROVAL

CUSTOMER: 明泰科技股份有限公司

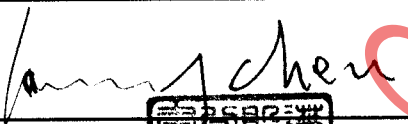

PART NAME: RF Antenna Assembly

PART NO.:

REVISION:

W. Y. P/NO.: C037-510695-A

REV.: X3

	MANUFACTURER SIGNATURE	CUSTOMER SIGNATURE
APPROVED BY :		
DATE :	5/22, 	

WHA YU GROUP

WHA YU INDUSTRIAL CO., LTD.(HEAD OFFICE)

謙裕實業股份有限公司

Address: No.326, Sec 2, Kung Tao 5 Road, Hsin Chu City, Taiwan, R.O.C.

Tel:+886-3-5714225(REP.)

Fax:+ 886-3-5713853 · + 886-3-5723600

TAI HWA ELECTRONIC CO., LTD. (CHINA)

台樺電業製品廠

Address: Pak Ho District, Hiu Street Town, Dong Guan City, Guangdong, China

Tel: + 86-769-5599375 · + 86-769-5912375

Fax: + 86-769-5599376

HUA HONG INTERNATIONAL LTD.

華弘國際有限公司

Rm.1103A,President Commercial Centre,608 Nathan Road,Mong Kok,Kowloon,Hong Kong

Tel: + 86-852-27712210

Fax: + 86-852-23843747

SHANGHAI HUA YU ELECTRONIC CO., LTD. (CHINA)

上海謙裕電子有限公司

Address:3586,Wai Qing Song Road, Qing Pu County, Shanghai China

Tel: + 86-21-59741348 · + 86-21-59744101~4

Fax: + 86-21-59741347

SU ZHOU AEON TECH CO., LTD. (CHINA)

蘇州華廣電通有限公司

Address:Limin North Road, LiLi Town,LiLi Industrial Park,LinHu Economic Zone

Wujiang City, Jiangsu Province, China

Tel: + 86-512-63627980

Fax: + 86-512-63627981

Contents

Item	Description	Page
1.	天線規格表 1
2.	成品圖 2
3.	測試報告 3~5
4.	Cable 規格 6~7
5.	Connector 材質特性 8

REFERENCE ONLY

RF Antenna Cable Assembly

Specification

1. Electrical Properties :

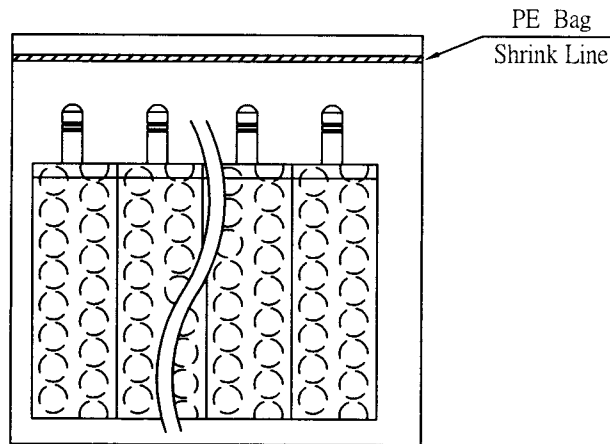
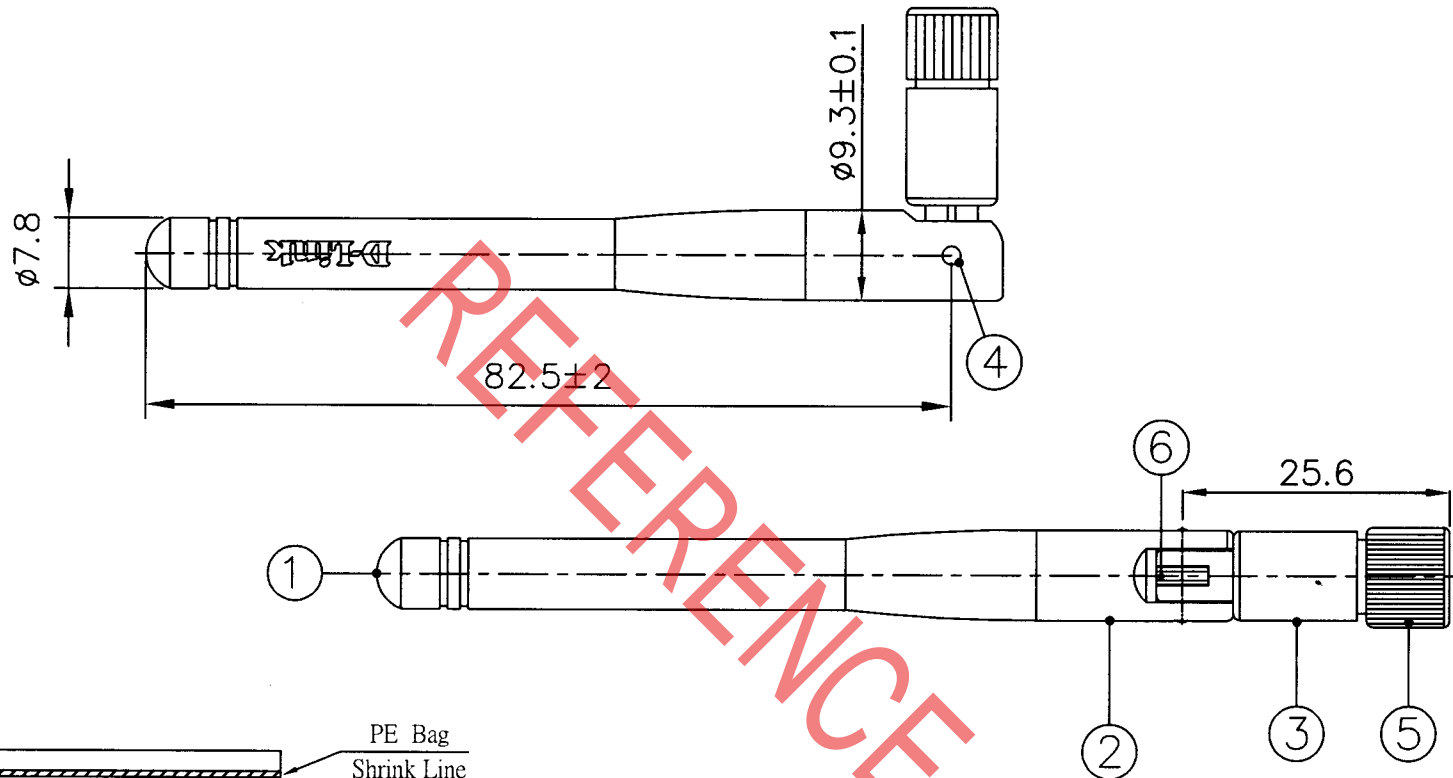
- 1.1 Frequency Range..... 2.4GHz ~ 2.5GHz
- 1.2 Impedance 50Ω Nominal
- 1.3 VSWR 1.92 Max.
- 1.4 Return Loss..... -10 dB Maximum
- 1.5 Radiation Omni-directional
- 1.6 Gain(peak)..... 1.8dBi
- 1.7 Polarization..... Linear Vertical
- 1.8 Admitted Power..... 1W

2. Physical Properties :

- 2.1 Cable..... RG-178 Coaxial Cable
- 2.2 Antenna Cover..... TPU
- 2.3 Antenna Base..... PC
- 2.4 Antenna Base..... PBT
- 2.5 Operating Temp. -20 ~ +65
- 2.6 Storage Temp. -30 ~ +75
- 2.7 Color Black
- 2.8 Connector..... SMA Plug Reverse

CG-

REV	DATE	DESCRIPTION
X1	12/15-2005	New Issue



Packing : 20 pcs/bag

6	Cable	RG-178 , Translucent Brown ; 50 Ω	1	
5	Connector	SMA Straight Plug/Reverse	1	
4	Rivet	Brass , Zn Plated (Black)	2	
3	Antenna Base	PBT ; Color:Black	1	
2	Antenna Base	PC ; Color:Black	1	
1	Antenna Cover	TPU ; Color:Black	1	
NO		DESCRIPTION	QTY	REMARK

- 5/13 -
7-5059240901176(E13723) B

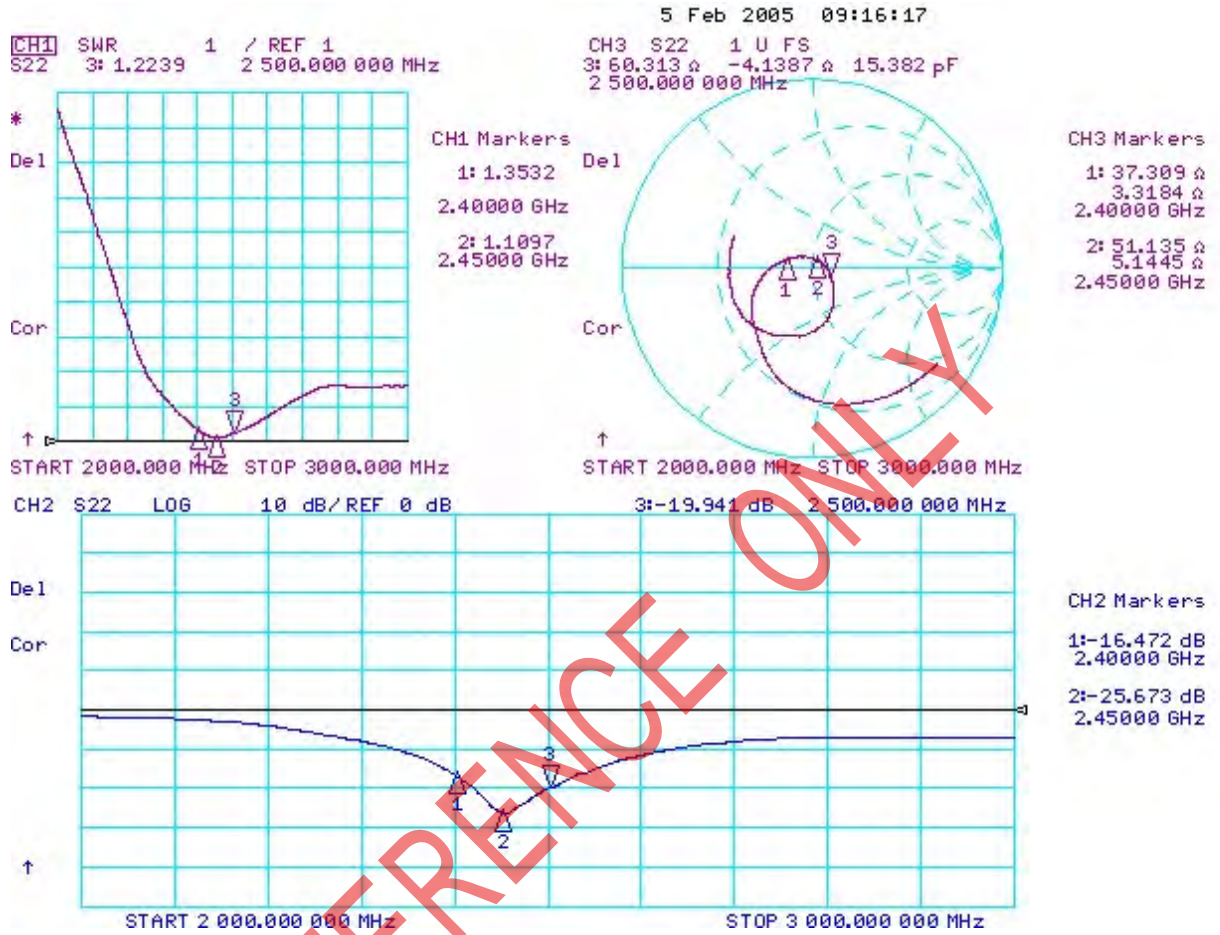
CUSTOMER'S SINGATURE

XX.	±5	APPROVED
X.	±1.0	<i>林淑娟</i>
.X	±0.1	CHECKED
.XX	±0.01	<i>林淑娟</i>
.XXX	±0.005	DRAWING
		<i>程淑娟</i>

CUSTOMER: 明泰科技股份有限公司		
PART NO :		
PARTNAME: RF Antenna Assembly		
W.Y P/NO : C037-510695-A		
REV	UNIT	FILE :
X1	m/m	SHEET : 1/1

Wha Yu INDUSTRIAL CO.,LTD.
譚裕實業股份有限公司
 THIS DRAWING, AND IT'S INHERANT DESIGN CONCEPTS, ARE THE PROPERTY OF WHA YU AND AS SUCH MAY NOT BE COPIED, REPRODUCED, OR GIVEN TO THIRD PARTIES WITHOUT THE WRITTEN CONSENT OF WHA YU.

RF Antenna Assembly
P/NO :C037-510695-A SPEC : 2.4GHz



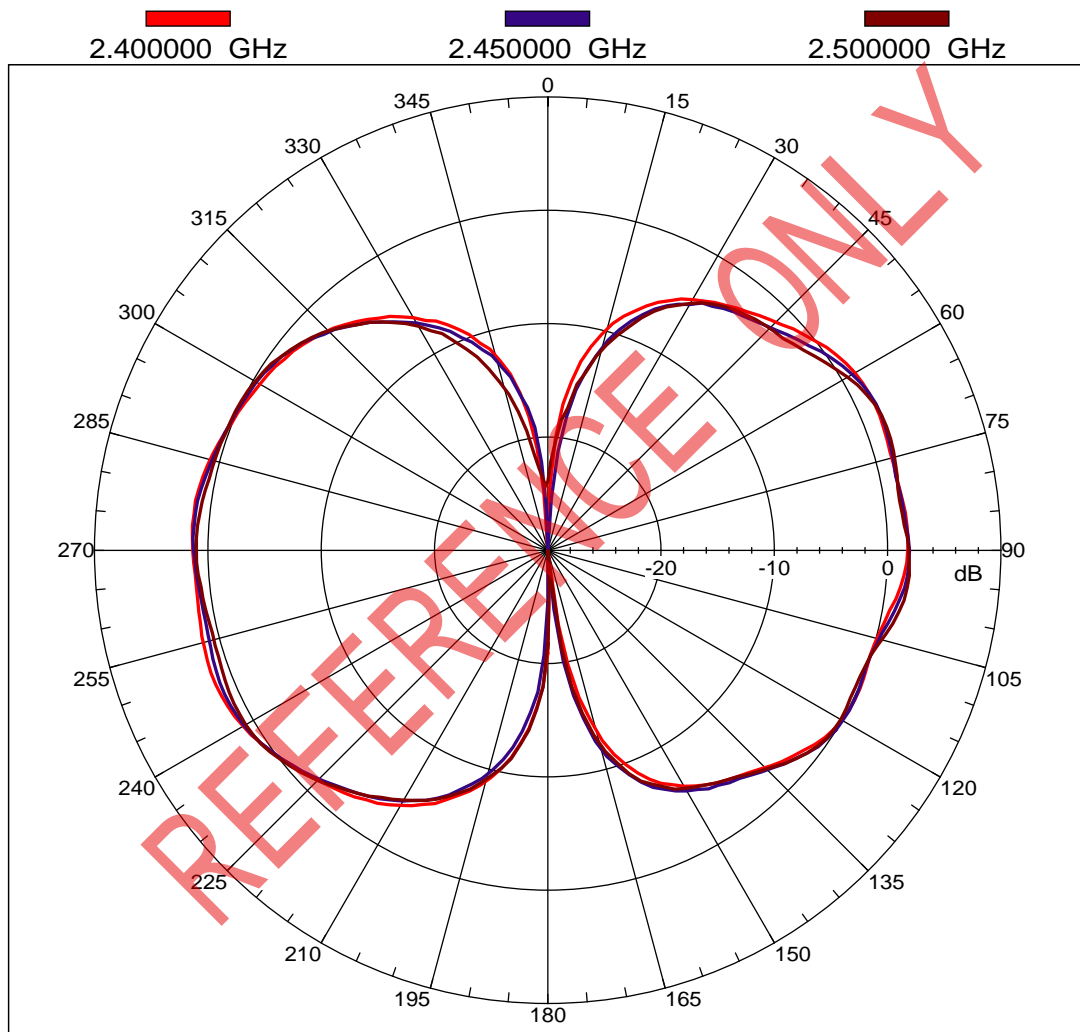
12/15/2005



譚裕實業股份有限公司

WHA YU INDUSTRIAL CO., LTD

Far-field amplitude of C037-510695-A-H.nsi

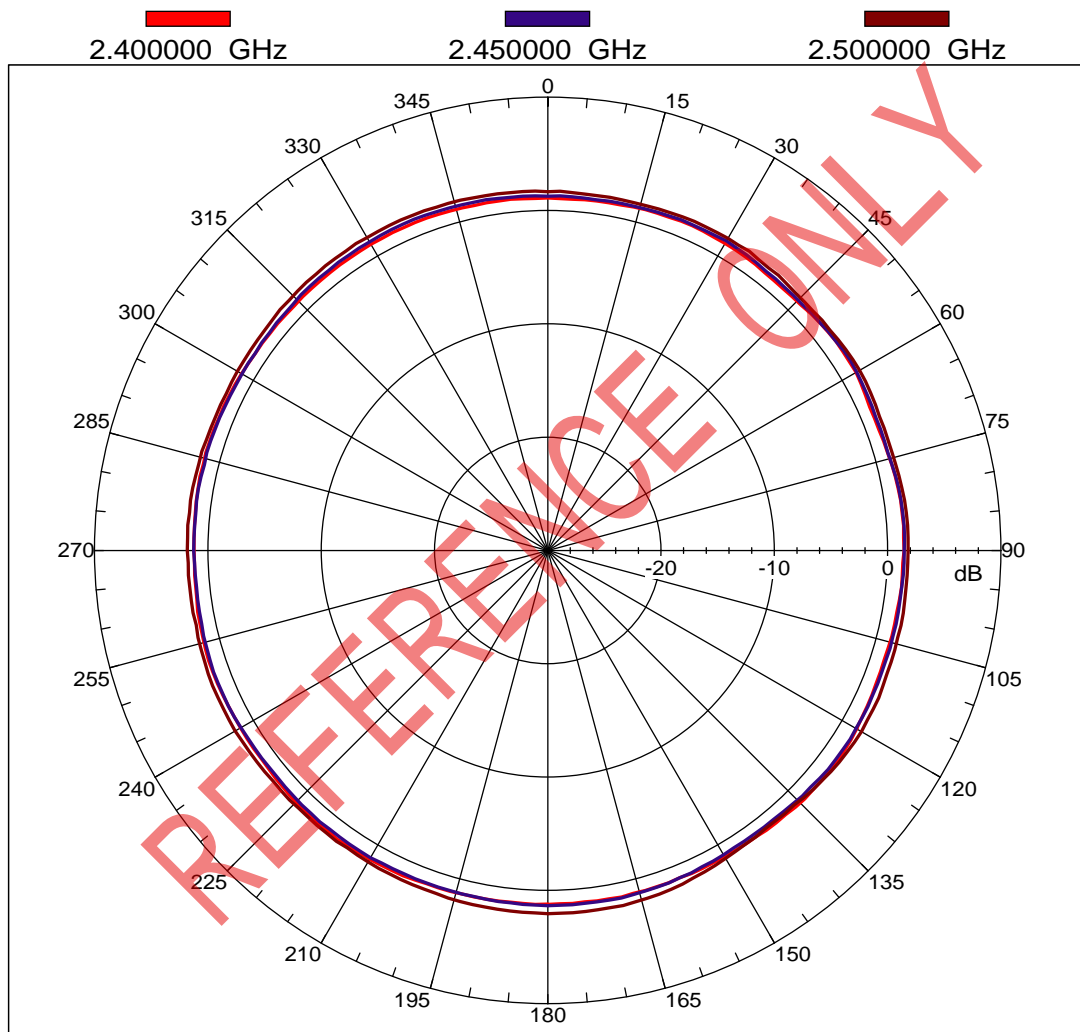




譚裕實業股份有限公司

WHA YU INDUSTRIAL CO., LTD

Far-field amplitude of C037-510695-A-V.nsi



PRODUCT SPECIFICATION	ISSUED DATE	July.12, 2000	PAGE	1/2
	REVISION		REVISION NO.	

PRODUCT NAME : Coaxial Cable
RATING : -55°C ~ 200°C
ITEM : RG 178 B/U

誠謙

No.	Revised Date	Revised Details	Page	Report

REPORTED BY :

APPROVED BY :




Q.C Engineer HOON LEE

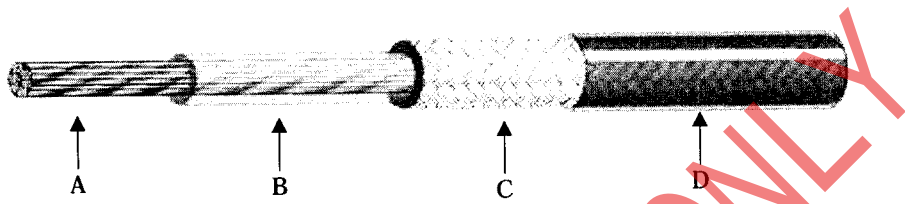
Q.C Manager SOON-MOK SHIN

PRODUCT SPECIFICATION	ISSUED DATE	July.12, 2000	PAGE	2/2
	REVISION		REVISION NO.	

1. APPLICATIONS

This specification is applies to Coaxial Cable manufactured by the YOUNG CHANG SILICONE CO.,LTD

2. STRUCTURE



- A. Conductor: SCCS
- B. Insulation : PFA
- C. Shield : Silver-Plated Copper
- D. Jacket : FEP

3. DIMENSION

Conductor (SCCS)			Insulation		Shield		Jacket	
Structure	Cross sectional area	Diameter	Material	Diameter	Material	Diameter	Material	Diameter
Q'ty/mmφ	mm ² (SQ)	mmφ		mmφ		mmφ		mmφ
7/0.102	0.06	0.30	PFA	0.84±0.05	SPC	1.25	FEP	1.80±0.10

4. ELECTRIC PROPERTIES

Impedance	Capacitance	Maximum Attenuation (dB/100ft)				Dielectric Sterngth
		100Mhz	400Mhz	1Ghz	3Ghz	
ohms	pF/ft(Max)					V/1min
50 ± 2	32	16.0	33.0	52.0	94.0	2000



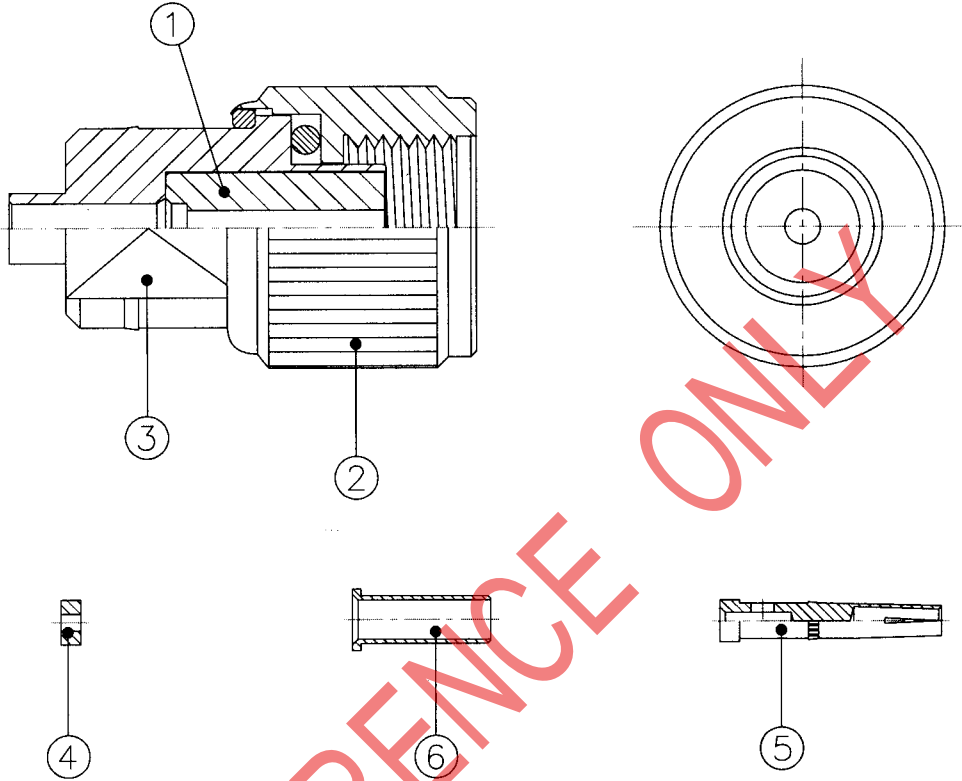
華裕實業股份有限公司

WHA YU INDUSTRIAL CO., LTD

Connector 材質證明書

華裕料號 Whyu P/N	100-2001150-AZ	產品名稱 Product Name	SMA Plug Reverse Straight For RG-178
------------------	----------------	----------------------	--------------------------------------

結構圖面



材質成份




表面處理

序號	名稱	材質	成份	表面處理
1	絕緣體	Teflon	PTFE	N/A
2	外殼	Brass	Cu Pb Fe Fe+Sn Zn	電著
3	本體	Brass	Cu Pb Fe Fe+Sn Zn	鍍鎳
4	絕緣體	Teflon	PTFE	N/A
5	中心針	Phos. Bronze	Cu Sn P Zn Pb	鍍金
6	尾管	Brass	Cu Pb Fe Fe+Sn Zn	鍍鎳

Remark :



REFERENCE ONLY

Item	ALPHA P/N	原廠型號	品名(Description)	VENDOR CODE	原廠商	代理商	NO.	分離之均勻材質 (Homogeneous Material) Sub-parts	分離之均勻材質重量	零件重量 (mg)	物質宣告書 (Material Declaration)	ICP測定數據 mg/kg-ppm						分析報告號碼及(實驗室名稱)	第三公證單位化學分析報告 Attached test report																								
												鉛(Pb)	銅(Cd)	汞(Hg)	六價鉻 (Cr+6)	PBB	PBDE																										
1		C037-510695-A	RF Antenna Assembly		WHAYU		1-1	Cable	540.	11500		ND	ND	ND	ND	ND	ND	F690501/LF-CTS500034(SGS)																									
																			F690501/LF-CTS500035(SGS)																								
																								F690501/LF-CTSGP06-0418(SGS)																			
																									F690501/LF-CTSGP05-5552(SGS)																		
							1-2	Antenna Body	3,200.																	CE/2005/45290A(SGS)																	
							1-3	Antenna Base	700.																		CE/2005/71420(SGS)																
							1-4	Antenna Base	700.																		GZSCR050827860(SGS)																
																												GZSCR0506707862/LP(SGS)															
							1-5	Rivet	100.																			CE/2006/39133(SGS)															
																													SH570049/CHEM(SGS)														
							1-6	Connector	4,820.																				31,000.	19.	ND	ND	ND	ND	GZML060201325(SGS)								
																																								GZ0602014138/CHEM(SGS)			
																																										KA/2006/20922A-01(SGS)	
																																											KA/2006/20923A-01(SGS)
																																				CE/2005/96120(SGS)							
																																					CE/2005/96111(SGS)						

POWER B.O.M LIST FOR ROHS TEST REPORTS

物質成份調查表

ITEM	品名(Description)	廠商名稱	符合RoHS原廠型號	NO.	分離之均勻材質	零件單重(mg)	分離之均勻材質單重(mg)	物質宣告書	ICP測定數據mg/kg=ppm						MTBF (h)	耐溫條件(溫度/時間)	分析報告號碼(實驗室名稱)	第三公證單位化學分析測試報告			
									鉛(Pb)	鎘(Cd)	汞(Hg)	六價鉻(Cr+6)	PBB	PBDE							
1	RF Antenna Assembly	C037-510695-A		1-1	Cable		540.		ND	ND	ND	ND	ND	ND			F690501/LF-CTS500034(SGS)				
									ND	ND	ND	ND	ND	ND			F690501/LF-CTS500035(SGS)				
									ND	ND	ND	ND	ND	6.1			F690501/LF-CTSGP06-0418(SGS)				
									ND	ND	ND	ND	ND	ND			F690501/LF-CTSGP05-5552(SGS)				
				1-2	Antenna Body					3,200.		ND	ND	ND	ND	ND	ND			CE/2005/45290A(SGS)	
												ND	ND	ND	ND	ND	ND			CE/2005/71420(SGS)	
				1-3	Antenna Base					700.		ND	ND	ND	ND	ND	ND			GZSCR050827860(SGS)	
												ND	ND	ND	ND	ND	ND			GZSCR05060707862/LP(SGS)	
				1-4	Antenna Base					700.		ND	ND	ND	ND	ND	ND			GZSCR050827860(SGS)	
												ND	ND	ND	ND	ND	ND				
				1-5	Rivet					100.		30,996.7	70.2	ND	ND	ND	ND			CE/2006/39133(SGS)	RoHS排外條款(銅合金)
												ND	ND	ND	ND	ND	ND			SH570049/CHEM(SGS)	
				1-6	Connector					4,820.		31,000.	19.	ND	ND	ND	ND			GZML060201325(SGS)	RoHS排外條款(銅合金)
												ND	ND	ND	ND	ND	ND			GZ0602014138/CHEM(SGS)	
												ND	ND	ND	ND	ND	ND			KA/2006/20922A-01(SGS)	
												ND	ND	ND	ND	ND	ND			KA/2006/20923A-01(SGS)	
				1-7	Ground Tube					1,430.		34,463.3	42.	ND	ND	ND	ND			CE/2005/96120(SGS)	RoHS排外條款(銅合金)
ND	ND	ND	ND									ND	ND			CE/2005/96111(SGS)					

- 13/13 -

7-505924090117G(E13723) B

REFERENCE ONLY

505960079610G		
ANT CABLE Mini 1.13 L=80mm		
	THW0796A	
02-22988066		
	<p style="text-align: center;">Panton No:</p> <p style="text-align: center;">■</p>	

REFERENCE ONLY

承 認 書
SPECIFICATION FOR APPROVAL

客 戶 CUSTOMER	明泰科技股份有限公司
日 期 DATE	2006 / 08 / 09
品 名 DESCRIPTION	Mini 1.13 Cable Assembly (L=80)(K5A) With RP-SMA Bulkhead Jack & MHF
客 戶 料 號 CUSTOMER P/N	505960079610G
成 品 編 號 Part NO.	THW0796A (符合環保材)



萬旭電業股份有限公司

WANSHIH ELECTRONIC CO., LTD.

台北縣五股鄉五工六路 72 號 3 樓

3F 72 WU KONG 6TH RD., WU KU INDUSTRIAL DISTRICT

TAIPEI HSIEN, TAIWAN, R.O.C.

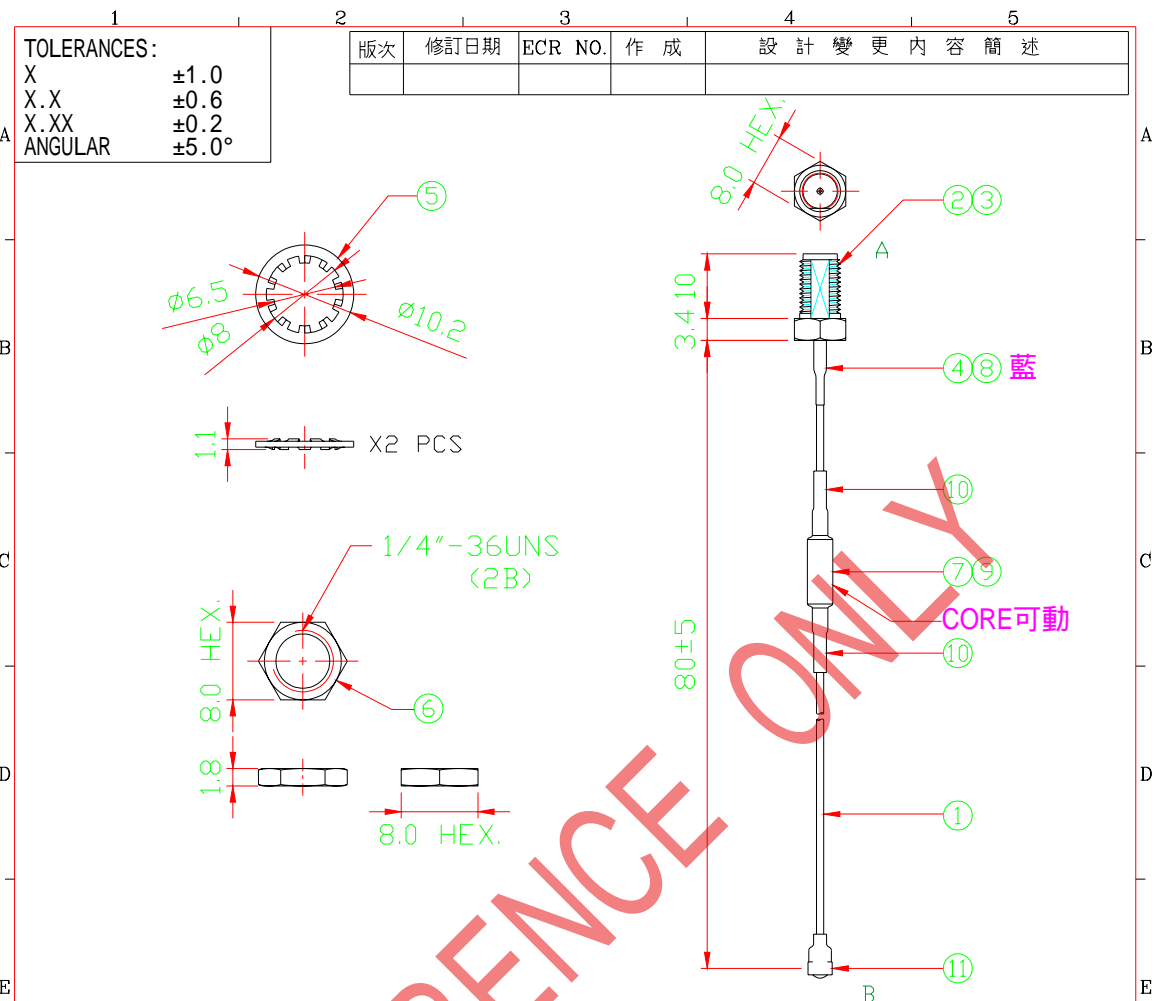
TEL : (02) 22988066 (5 LINE) FAX : (02)22981102

Table of Contents

Table of Contents	1
Specification	2
Drawing	3
Cable Assembly Electrical Characteristic	
Return Loss	4
V.S.W.R	5
Attenuation	6
Material Sheet	
Mini 1.13 Coaxial Cable	7-9
RP-SMA Bulkhead Jack	10
MHF Connector	11-14
EMI Sleeve Core	15-17

SPECIFICATION

1. Description : Mini 1.13 Cable Assembly
with RP-SMA Bulkhead Jack & MHF
2. Customer : 明泰科技股份有限公司
3. Part No. : THW0796A
4. Coaxial Length : 80 mm (see Drawing)
5. Electrical Characteristics
 - Operating Frequency : 1~6 GHz
 - Impedance : 50 Ohm nominal
 - Attenuation. : -2.0dB Max.
6. Mechanical Characteristics
 - Connector : RP-SMA Bulkhead Jack
: MHF
7. Raw Material
 - Coaxial Cable : Mini 1.13
 - Core : K5A RH4*10*2



TOLERANCES:

X	±1.0
X.X	±0.6
X.XX	±0.2
ANGULAR	±5.0°

版次	修訂日期	ECR NO.	作成	設計變更內容簡述

作業說明：

- Cable Assembly組立，依照WSW0063A Cable Assembly 組立作業指導書規定製作。
依據AQ-0063A QC管理工程圖，執行品質管制。
- 依WSW0010A 1.13 Mini Coaxial Cable With MHF作業標準指導書規定。
依據AQ-0010A QC管理工程圖，執行品質管制。
- 鐵粉芯組立組立，依照WSW0009 EMI Sleeve Core 組立作業指導書規定製作。

包裝方式：

- 成品每100pcs包一袋，內附螺帽1包(100pcs/包)及止滑華司2包(100pcs/包)。

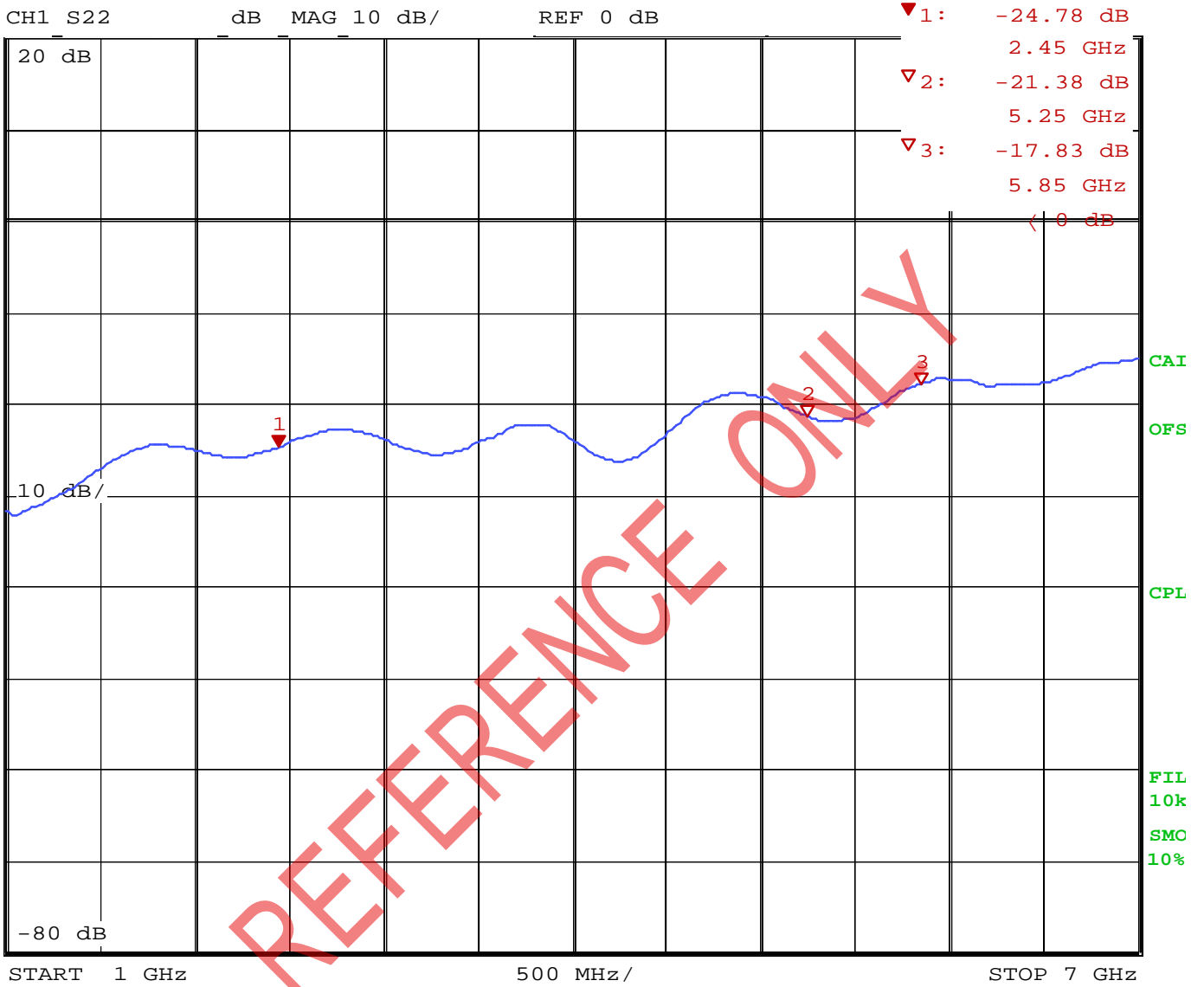
NO	材料名稱	環材	電腦編號	零件規格	顏色	切斷尺寸	用量	備註
11	MHF Connector		272027811R13JP	@20278-111R-13 (I-PEX)	金		1	或同級品
10	熱縮套管		53A402501000BC	@F34 2.5 黑 L=10mm	黑		2	或同級品
9	熱縮套管		53A404002000BC	@F34 4.0 黑 L=20mm	黑		1	或同級品
8	熱縮套管		530102501060BC	@F32 2.5 藍 L=10mm	藍		1	或同級品
7	EMI Sleeve Core		3040020100A0CG	@ K5A RH4*2*10	黑		1	或同級品
6	螺帽		B02892200502A5	@028922005 Nut Bulkhead Reverse SMA	金		1	或同級品
5	止滑華司		B02892200501A5	@028922005 Washer Bulkhead Reverse SMA	金		2	或同級品
4	SMA Bulkhead 連接軸		B0270B000000A5	@0270B SMA Bulkhead For 1.13 連接軸	金		1	或同級品
3	絕緣 公PIN		B0376AB00000A5	@0376A-B 絕緣 公PIN 白	白		1	或同級品
2	RP SMA Bulkhead Jack 本體		B0376A000000A5	@0376A RP-SMA Bulkhead Jack-10L For 1.13 金	金		1	或同級品
1	MINI 1.13 Coaxial Cable		B1MINI113A80AE	@MINI OD:1.13灰 GY-193 鍍錫編織(萬泰)	淺灰	85	1	或同級品

修訂日期：		制訂日期：2007/08/09		承認圖號	505960079610G		
頁數：1/1	核准	審查	作成	品名	Mini 1.13 Cable Assembly with MHF (L=80)(K5A)		
第三角法	Ryan	郭慧純	易姿岑		成品編號	THW0796	REV A
單位：mm							
比例：FREE							

萬旭電業股份有限公司 50文件編號：FMT-0513-D7

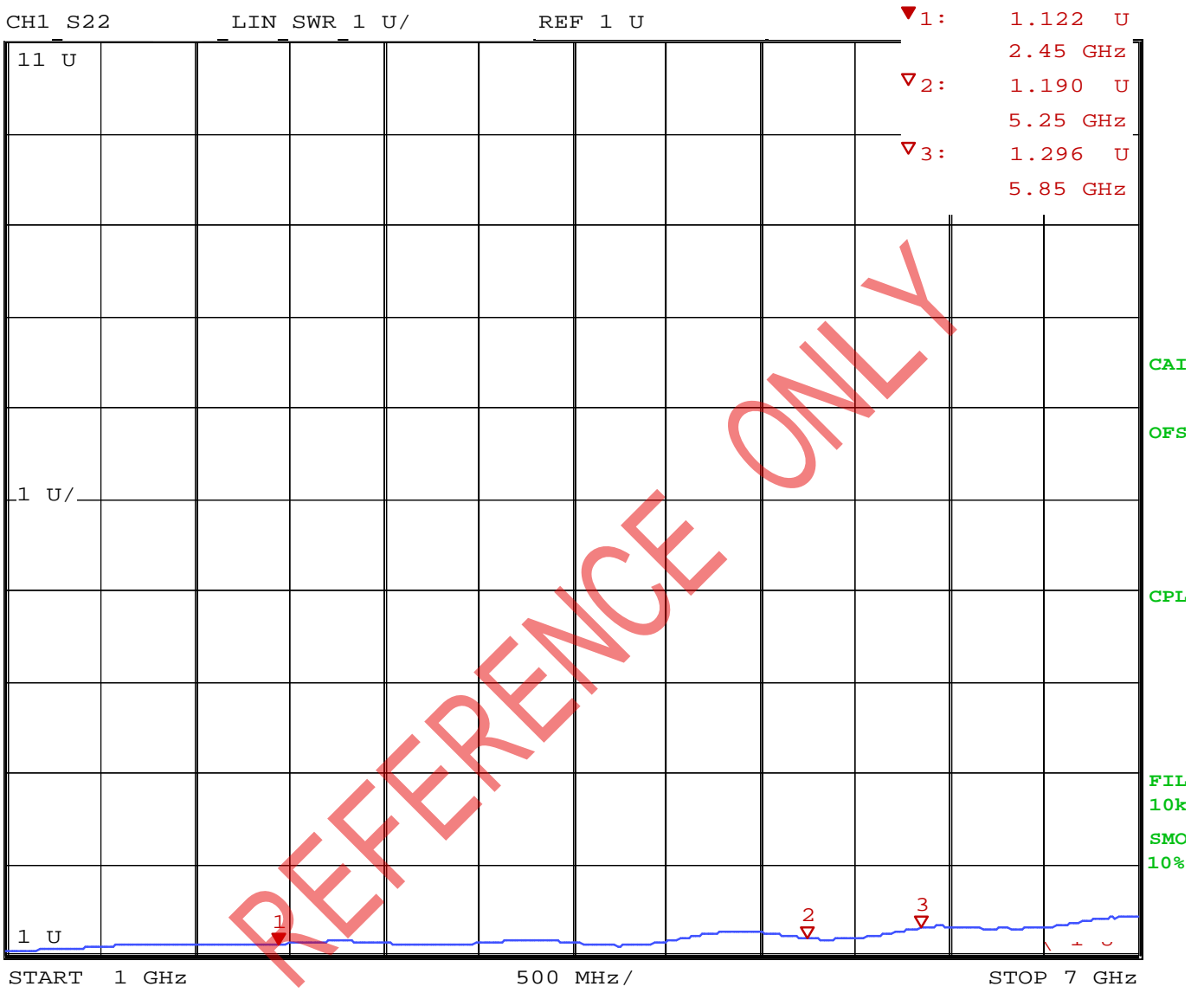
Electrical Characteristic

Return Loss



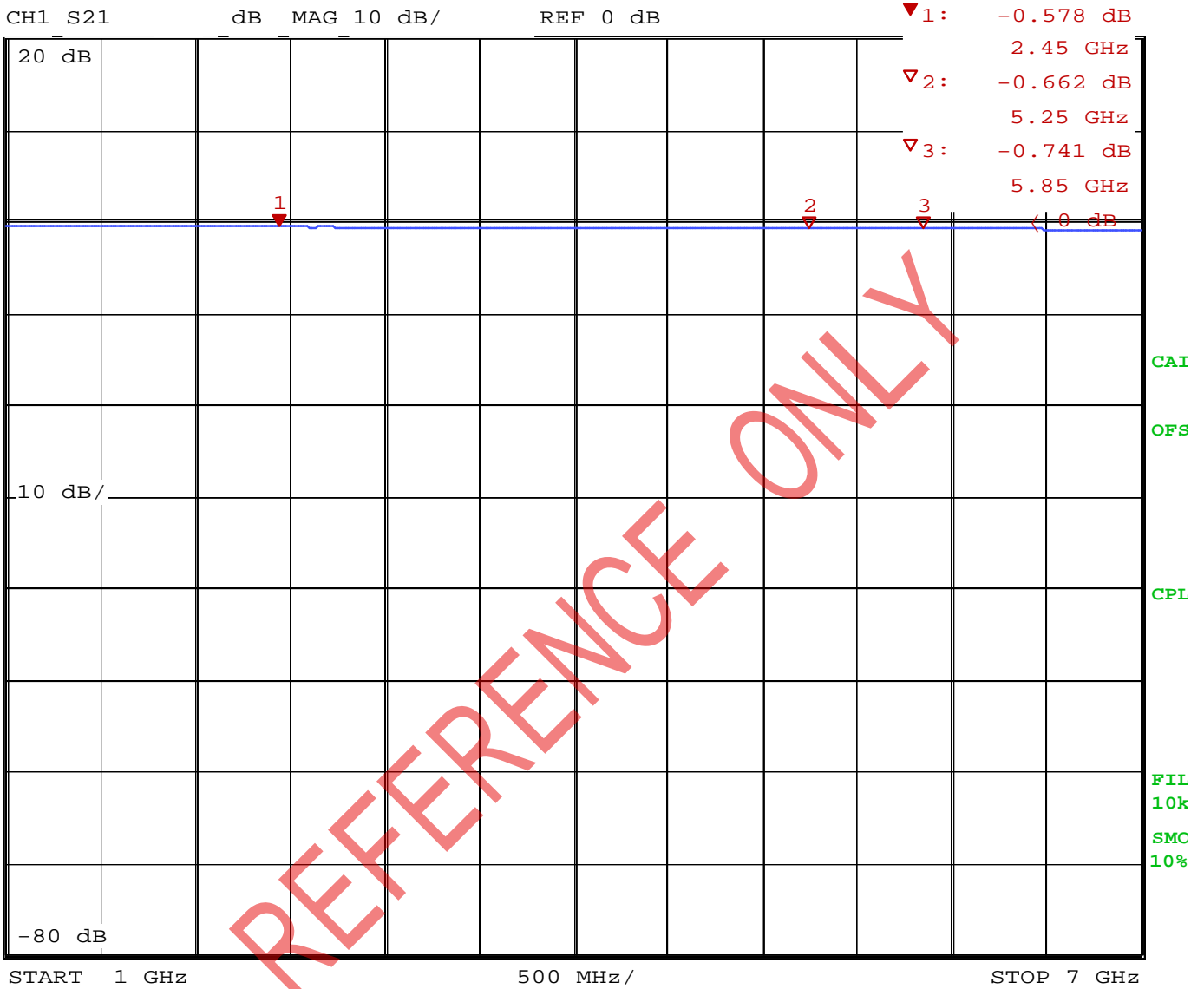
Electrical Characteristic

V.S.W.R



Electrical Characteristic

Attenuation



Material Data Sheet

Mini-1.13 Coaxial Cable

SPECIFICATION FOR APPROVAL

DOCUMENT: A3132TS001

STYLE : COAXIAL CABLE
105°C 30V

SIZE: 32AWG×1C
BRAID : TS

RECOGNIZED: UL 1979



WONDERFUL HI-TECH CO.,LTD.

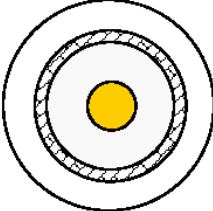
OFFICE : 72WU KONG 6TH ROAD,
WU KU IND. DISTRICT
TAIPEI HSIEN,TAIWAN

TEL : (02)22988033
FAX : (02)22988031-2

FACTORY : 17 PEI YUAN ROAD,
CHUNG-LI IND. PARK
TAIWAN, R.O.C.

TEL : (03)4527777
FAX : (03)4517214

 **WONDERFUL HI-TECH CO., LTD.**
SPECIFICATION

STYLE	105°C 30V UL 1979	DOCUMENT NO : A3132TS001	
SIZE	32AWG	ESTABLISHED DATE: 2005/05/11	
STANDARD :			
Conductor	Size	AWG	32
	Material	----	Silver Cover Copper
	Conductors No.	----	7
	Conductors Size	mm	0.080
	O.D.	mm	0.240
Insulation	Average Thickness	mm	0.22
	Diameter	mm	0.68 ± 0.02
	Material	----	FEP
	Color	----	Clear
Braid	Material	----	Tinned Copper
	Construction	mm	16 / 4 / 0.050
	Coverage	%	90
Jacket	Average Thickness	mm	0.13
	Diameter	mm	1.13 ± 0.05
	Material	----	FEP
	Color	----	According to custom
Marking	Non		
Drawing			

AK001/210X297/1.0

PAGE : 1

EDITION : 1.1

MAKER : C.Y.CHEN

CONFIRM : S.N.WONG

APPROVAL : W.J.WANG



WONDERFUL HI-TECH CO., LTD. SPECIFICATION

Electrical & Physical Properties					
Item		32AWG			
Rating Temp Voltage		105°C 30V			
Conductor Resistance		545 OHM/KM/20°C MAX.			
Insulation Resistance		1000 MEGA OHM/KM MIN.			
Dielectric Strength		AC 500 V/Minute			
Spark Test		2.5 KV			
Insulation	Unaged	Tensile Strength	2500 PSI MIN.(1.76 Kg / m m ²)		
		Elongation	200% MIN.		
	Aged	Tensile Strength	UNAGED MIN. 75%(168HRS×232°C)		
		Elongation	UNAGED MIN. 75%(168HRS×232°C)		
Jacket	Unaged	Tensile Strength	2500 PSI MIN.(1.76 Kg / m m ²)		
		Elongation	200% MIN.		
	Aged	Tensile Strength	UNAGED MIN.75%(168HRS×232°C)		
		Elongation	UNAGED MIN.75%(168HRS×232°C)		
Nom. Impedance		50 ± 3 Ohms			
Nom. Capacitance		96 ± 3 pF/m			
Nom. Vel. of Prop.		69%			
VSWR Test (0 – 6 GHZ)		Less 1.3			
Flame Test		VW-1 OK			
Attenuation (dB/1m)	2.0GHZ	2.4GHZ	2.5GHZ	5.0GHZ	6.0 GHZ
	2.80	3.10	3.15	4.85	5.20

AK001/210X297/1.0

PAGE : 2

EDITION : 1.1

MAKER : C.Y.CHEN

CONFIRM :S.N.WONG

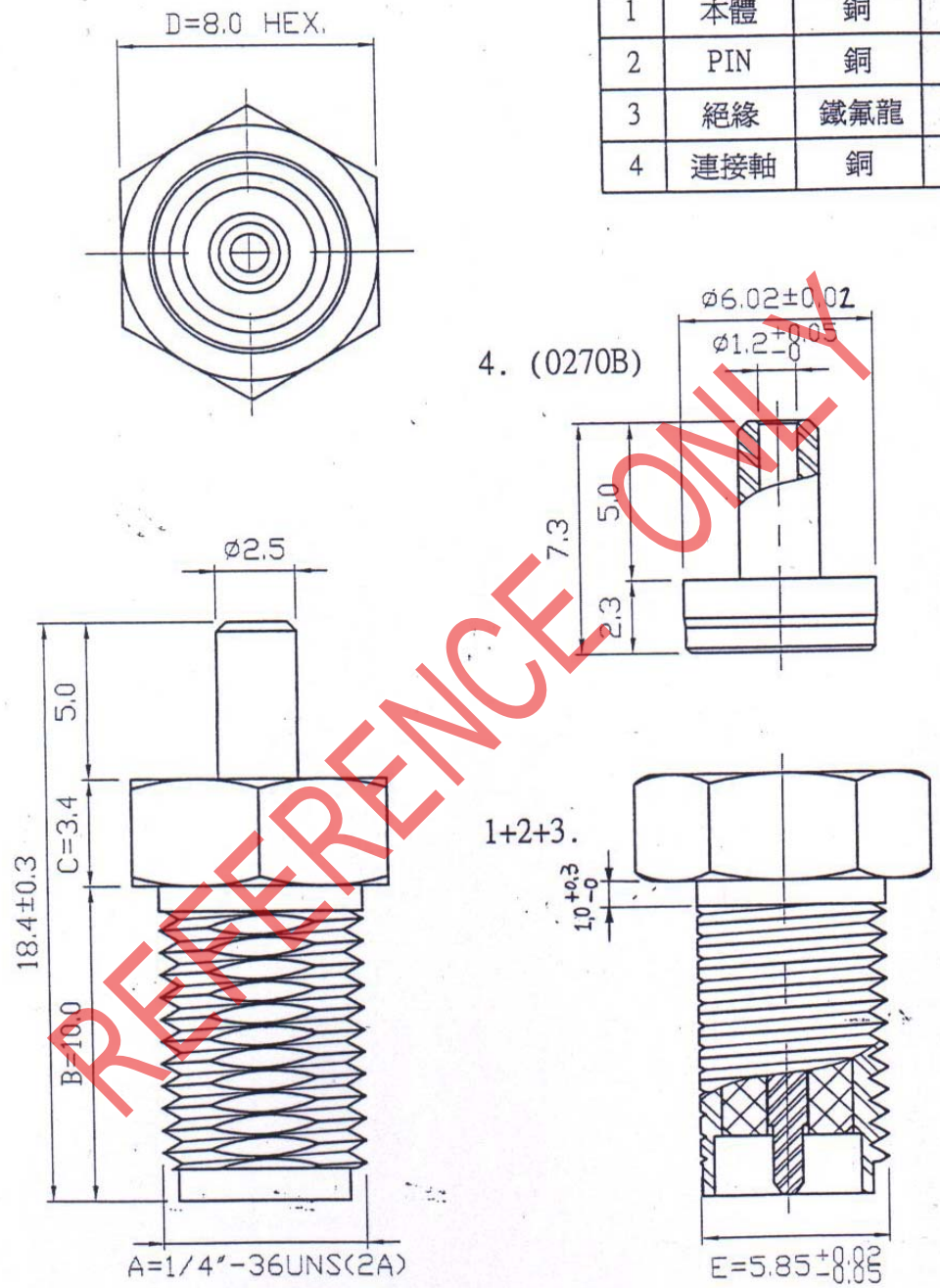
APPROVAL : W.J.WANG

Material Data Sheet

RP-SMA Bulkhead Jack

圖號 0376A

主作品名材質一覽表			
項次	品名	材質	處理
1	本體	銅	鍍金
2	PIN	銅	鍍金
3	絕緣	鐵氟龍	白色
4	連接軸	銅	鍍金



REV DESCRIPTION	UNIT: MM	MATERIAL:	NAME: RP-SMA Bulkhead Jack-10L For 1.13
△ x	SCALE: 5/1	FINISH:	PART NO: 0376A-承認書圖
△ x	TOLERANCES: X ±0.15 X.X ±0.1 X.XX ±0.05 ANGULAR ±1.0°	DRAWN:	DATE: 06.21.2004 REV: 01
△ x		DESIGN:	
△ x		APPROVE:	

Material Data Sheet

MHF Connector

PART NO.
20278-11R-08

Cable Ass'y
Plug
P/N 20278-11R-08
P/N 20278-11R-13
P/N 20278-11R-32

Coaxial cable
Receptacle
Part No. 20279-001E-01

MATING

Part No. 20278-111R-08
20278-111R-13
20278-111R-32
For semi auto termination machine (without notch)

Part No. 20278-101R-08
20278-101R-13
20278-101R-32
For hand tool (with notch)

GENERAL TOLERANCE
G MAX. ±0.2
6 OVER MAX. 30 ±0.3
30 OVER MAX. 120 ±0.5
ANGLE ±2'

DATE JUN/13/01
DESIGN D BY K. Ohtsubashi
CHK D BY K. Ohtsubashi
DATE JUN/13/01
APP D BY K. Ohtsubashi
DATE JUN/13/01
REV. RECORD APP. 2814
REV. RECORD APP. 2814

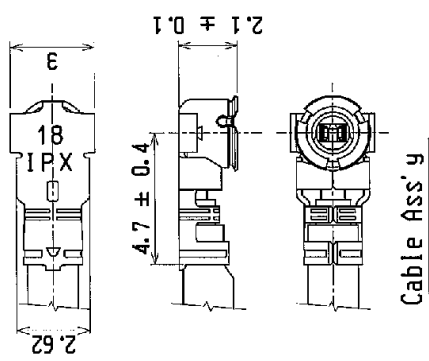
CUSTOMER COPY

SCALE UNIT 6/1 mm

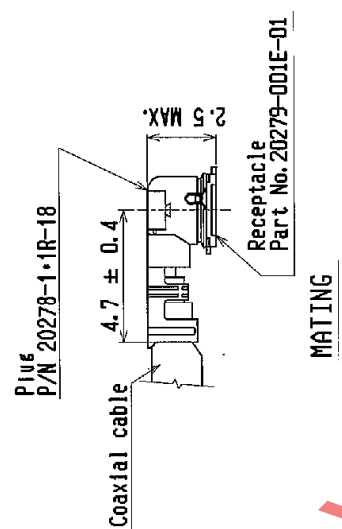
DMG. No. 20278

SHEET REV. 1/4 17C

PART NO.
20278-11R-18



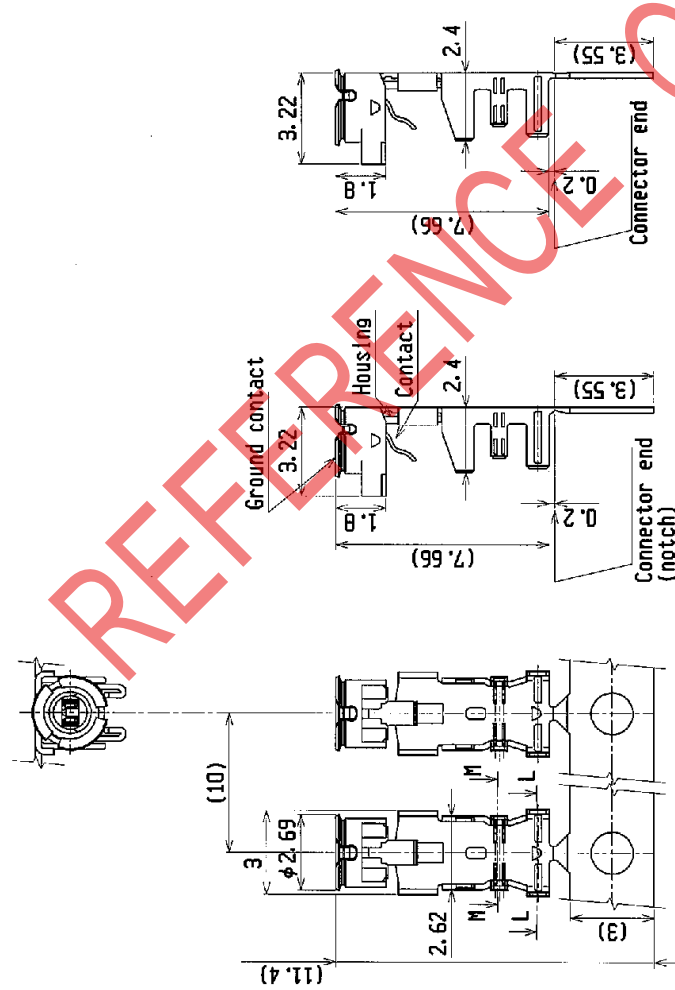
Cable Assy



Plug
P/N 20278-11R-18

Receptacle
Part No. 20279-001E-01

MATING



Ground contact

Housing Contact

Connector end (notch)

Part No. 20278-101R-18
For hand tool
(with notch)

Part No. 20278-111R-18
For semi auto
termination machine
(without notch)

REFERENCE ONLY

GENERAL TOLERANCE	
6 MAX.	±0.2
6 OVER MAX. 30	±0.3
30 OVER MAX. 120	±0.5
ANGLE	±

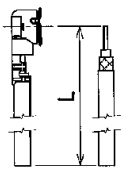
DESIGN'D BY	DATE	I-PEX Interconnect and Potassium Electroplating TOKYO, JAPAN	
CHK'D BY	DATE		
APP'D BY	DATE		
REV. ECN	BY	DATE	TITLE
REV. RECORD	BY	DATE	MF series micro coaxial connector plug vertical (ground contact : gold plating)
SERIES No.	2814	PROJECTION	SCALE UNIT
		8/1	MM
CUSTOMER COPY		DWG. No.	20278
		SHEET REV.	2/4, 17C

WAS T

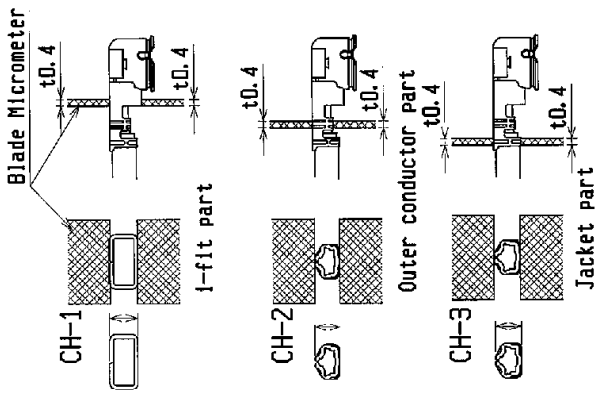
FORM REV. 4

Part No.	20278-101R-08 20278-111R-08	20278-101R-13 20278-111R-13	20278-101R-32 20278-111R-32	20278-101R-18 20278-111R-18
Housing color	White	Black	Black	White
Applicable cable nominal dimension	2.09±0.1 1.25±0.1 1.16±0.1	2.09±0.1 1.25±0.1 1.16±0.1	2.09±0.1 1.25±0.1 1.16±0.1	2.09±0.1 1.25±0.1 1.16±0.1
Jacket	φ0.81 Nominal Outer conductor silver plating Dielectric core Inner conductor silver plating	φ1.13 Nominal Outer conductor silver plating Dielectric core Inner conductor silver plating	φ1.32 Nominal Outer conductor silver plating Dielectric core Inner conductor silver plating	φ1.8 Nominal Outer conductor silver plating Dielectric core Inner conductor silver plating
	φ0.4 Nominal AMS361(7/0.05)	φ0.68 Nominal AMS32(7/0.08)	φ1.12 Nominal AMS32(7/0.08)	φ0.84 Nominal AMS30(7/0.102)
	* NOTE-1	* NOTE-1	* NOTE-1	* NOTE-1
Braided shield of Outer conductor 外部導体の編組	Single / 1重編組	Single / 1重編組	Double / 2重編組	Single / 1重編組
P/N of hand Tool	90187-008C	90187-013C	90187-032C	90233-018
P/N of seal auto termination machine	90213-008C	90213-013C	90213-032C	90232-018
Sect. M-M	1.68 1.12	2.24 1.48	2.29 1.56	2.71 1.9
Sect. L-L	1.72 1.19	2.28 1.55	2.37 1.71	3.1 2.26
Crimp Height	CH-1 1.34~1.40 CH-2 0.76~0.84 CH-3 0.85~0.97	1.34~1.40 1.06~1.14 1.15~1.35	1.34~1.40 1.20~1.30 1.26~1.46	1.34~1.40 1.41~1.49 1.70~1.80

Cable cut length



Crimp Height



NOTE-1

中心導体、外部導体への半田コテイングは不可
Must not use solder coated
inner conductor and outer conductor.

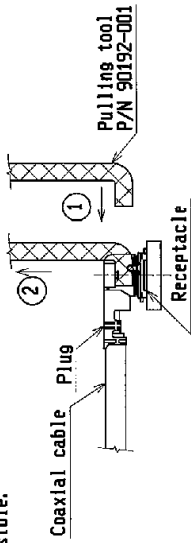
I-PEX Interconnect and Pasternak Electronics TOKYO, JAPAN	
TITLE MIF series micro coaxial connector plus vertical (ground contact : gold plating)	
SCALE UNIT	DWG. No. 20278
PROJECTION	SHEET REV. 9/4 17C
DESIGN D BY	DATE
CHK D BY	DATE
APP D BY	DATE
REV. REC'D BY	DATE
APP	
REV. RECORD	
SERIES No. 2814	
CUSTOMER COPY	

GENERAL TOLERANCE	
6 MAX.	±0.2
6 OVER MAX. 30	±0.3
30 OVER MAX. 120	±0.5
ANGLE	±2°

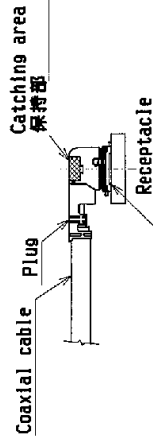
FORM REV. 4

5-2 Unmating.

(1) In case of unmating by pulling tool.
Please use the pulling tool as the following drawing, and please pull plug to vertical direction as directly as possible.



(2) In case of unmating directly by hand
Please catch the catching area of plug, and please pull plug to vertical direction as directly as possible.



5-3 Crimp over standards of outer conductor

Standards: Less than 10% from total numbers of outer conductor
Crimp over from outer conductor's barrel

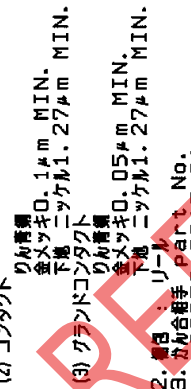
5-4 Caution about Heat shrinkage tubes

Please be careful not to melt housing when using heat shrinkage tubes. It will become cause of open circuit.

6. This is 'Pb-free' connector.

5-2 コネクタ抜き

(1) 抜きシグを用いる場合
下図のようにできるだけ垂直に引き抜いて下さい。



(2) 手で直接引き抜く場合
下部の握持部をつかみ、できるだけ垂直に引き抜いて下さい。



5-3 外部導体はみ出し量

外部導体はみ出し量測定
: 外部導体トータル本数の10%以下
(外部導体バレルの外径はみ出し量)

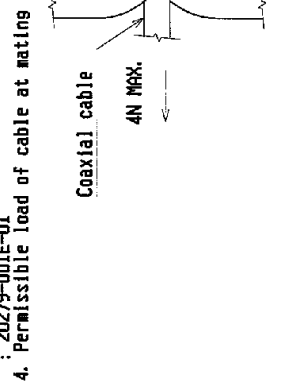
5-4 熱収縮チューブについて
熱収縮チューブで外部導体を覆う場合は、熱収縮チューブの収縮率に注意し、熱収縮チューブの収縮による外部導体の露出を防止して下さい。

6. 本コネクタは 'Pb-free' である

Notes

1. Material
(1) Housing : PBT, UL94V-0
(2) Contact phosphor bronze
gold plating 0.1μm MIN.
over nickel 1.27μm MIN.
(3) Ground contact phosphor bronze
gold plating 0.05μm MIN.
over nickel 1.27μm MIN.

2. Packing : reel
3. Mating partner part No. : 20279-001E-01
4. Permissible load of cable at mating



5. Suggestions for mating & unmating operation.

5-1 Mating.
Please mate the connector straightly to vertical direction as much as possible, adjusting the mating axis of plug and receptacle.
As excessive slant angle mating may break the connector, please don't do it.

5-2 コネクタ挿入時
PlugとReceptacleの中心を合わせ、できるだけ垂直に挿入して下さい。
コネクタの挿入は斜めに行わないで下さい。過度な斜め挿入はコネクタの破損の原因となりますので、過度な斜め挿入は行わないで下さい。

5-3 コネクタの抜き時
PlugとReceptacleの中心を合わせ、できるだけ垂直に引き抜いて下さい。
コネクタの抜きは斜めに行わないで下さい。過度な斜め抜きはコネクタの破損の原因となりますので、過度な斜め抜きは行わないで下さい。

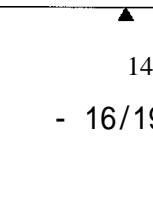
6. This is 'Pb-free' connector.

5-2 Unmating.

(1) In case of unmating by pulling tool.
Please use the pulling tool as the following drawing, and please pull plug to vertical direction as directly as possible.



(2) In case of unmating directly by hand
Please catch the catching area of plug, and please pull plug to vertical direction as directly as possible.



5-3 Crimp over standards of outer conductor

Standards: Less than 10% from total numbers of outer conductor
Crimp over from outer conductor's barrel

5-4 Caution about Heat shrinkage tubes

Please be careful not to melt housing when using heat shrinkage tubes. It will become cause of open circuit.

6. This is 'Pb-free' connector.

DESIGN D BY		DATE
CHK D BY		DATE
APP D BY		DATE
REV	ECN	BY DATE APP
SERIES No.		2814
CUSTOMER COPY		
PROJECTION SCALE		UNIT (mm)
DRAWING No.		20278
SHEET		4/4
REV.		17C



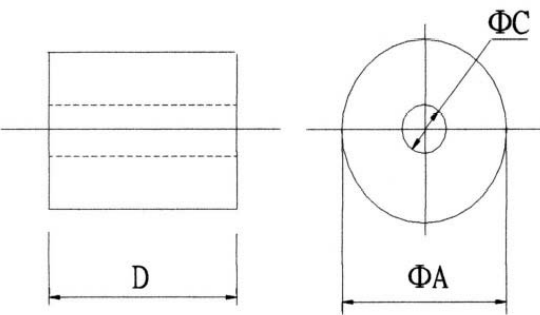
Interconnect
and Packaging Electronics
TOKYO, JAPAN

TITLE MHF series micro coaxial connector plug
vertical (ground contact : gold plating)

Material Data Sheet

EMI Sleeve Core

SPECIFICATION FOR APPROVAL

CUSTOMER: 萬旭電業股份有限公司		CUS' S P/N:		DATE: 2003/10/9	
ITEM: K5A RH 4X2X10		REF NO:10-13-040020100-0			
(1) DIMENSION (Unit:mm)		A	4.00	+ -	0.20 mm
				+ -	mm
		C	2.00	+ -	0.15 mm
		D	10.00	+ -	0.40 mm
				+ -	mm
				+ -	mm
				+ -	mm
				+ -	mm
				+ -	mm
(2) ELECTRICAL REQUIREMENTS:				+ -	mm
		TEST FREQ	REMARK:		
		TEST FREQ			
Z	35 - 0 Ω	TEST FREQ	25 MHz		
Z	60 - 0 Ω	TEST FREQ	100 MHz		
		TEST FREQ			
COIL DATA	Qo= Lo=	PF	TEST FREQ		
Winding 0.65 Φ X 63 mm T.C.W 1 TS					
(3) TEST INSTRUMENTS					
1. IMPEDANCE ANALYZER: HP4191A					
DRAWN	CHECKED	APPROVED	ISSUE NO.		
DATE	DATE	DATE	WC-RH-039		

佳真股份有限公司
CORE-TECH CORPORATION

TEL: 03-4861211
FAX: 03-4861210

INSPECTION DATA

ISSUE NO: WC-RH-039

CUSTOMER	萬旭電業股份有限公司			DATE	2003/10/9	Quantity	0	pcs					
PART NO.	10-13-040020100-0												
ITEM	K5A RH 4X2X10												
COIL SPEC	0.65 Φ X 63 mm T.C.W 1 TS												
COIL DATA	Q0=	CO=	(PF)										
TEST FREQ	F0=	Hz	Ft= 25,100 MHz										
TEMPERATURE	28 °C	Humidity	87 %										
ELECTRIC CHAREC.				DIMENSION(Unit:mm)									
	L	Q	Z(25)	Z(100)	A	B	C	D	E	F	G	H	I
SP			35.00	60.00	4.00		2.00	10.00					
+					0.20		0.15	0.40					
-			0	0	0.20		0.15	0.40					
1			45.00	82.00	3.96		2.02	9.95					
2			47.00	84.00	3.93		2.03	9.98					
3			46.00	82.00	3.92		2.09	9.96					
4			47.00	82.00	3.91		2.03	9.98					
5			45.00	81.00	3.95		2.08	9.96					
6			46.00	80.00	3.93		2.05	10.00					
7			46.00	81.00	3.95		2.03	10.02					
8			46.00	81.00	3.93		2.07	9.95					
9			46.00	80.00	3.92		2.09	9.93					
10			45.00	82.00	3.96		2.05	9.97					
X			45.90	81.50	3.94		2.05	9.97					
R			2.00	4.00	0.05		0.07	0.09					
TEST INSTRUMENTS				INSP No:									
1. IMPEDANCE ANALYZER: HP4191A													
REMARK:	Inspected		Checked		Approved								

CORE-TECH CORPORATION

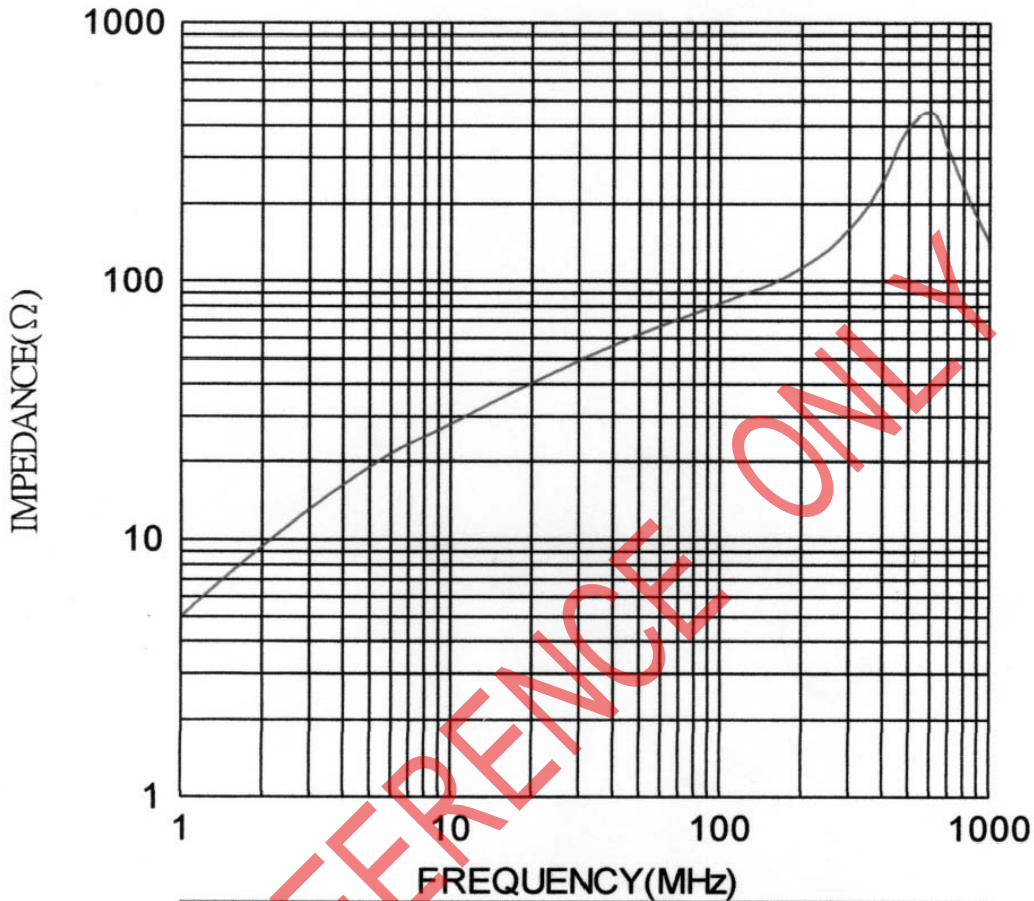
TEL: 03-4861211
FAX: 03-4861210

Z-F RESPONSE

K5A RH 4X2X10

1. TEST INSTRUMENT:HP4191A

2. WINDING:0.65ΦX63 mm T.C.W ITS



	1	5	10	25	50	100	200	300	400	500	600	700	800	900	1000
Z—	5	19	28	45	62	82	113	160	244	392	452	322	229	176	141

(DATA BETWEEN 500MHz AND 1000MHz ARE FOR REFERENCE ONLY)

CORE-TECH CORPORATION

<http://www.coretechweb.com.tw>

E-mail:coretech@tpts1.seed.net.tw

TEL:03-4861211 FAX:03-4861210