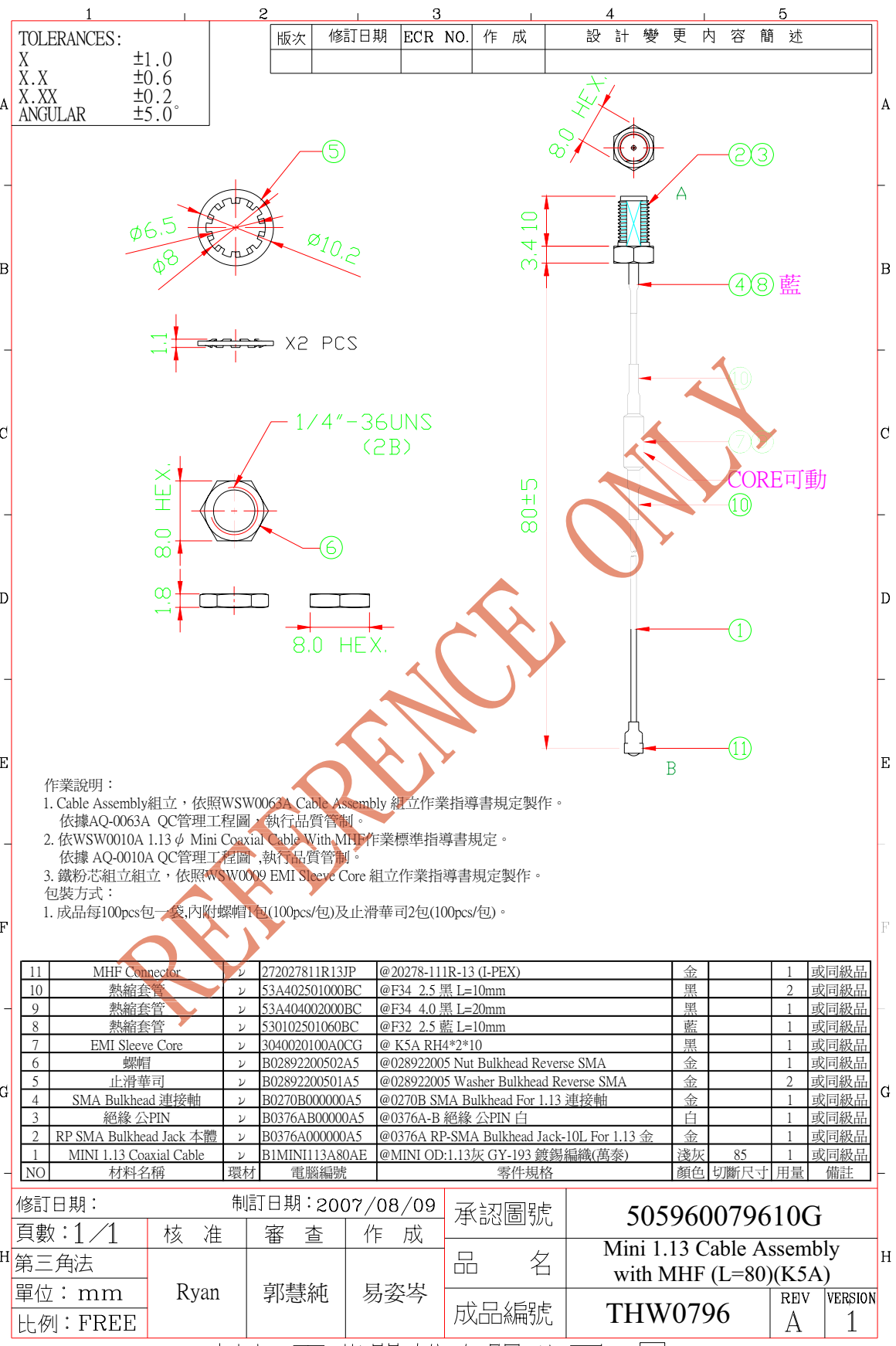


Table of Contents

Table of Contents	1
Specification	2
Drawing	3
Cable Assembly Electrical Characteristic	
Return Loss	4
V.S.W.R	5
Attenuation	6
Material Sheet	
Mini 1.13 Coaxial Cable	7-9
RP-SMA Bulkhead Jack	10
MHF Connector	11-14
EMI Sleeve Core	15-17

SPECIFICATION

1. Description : Mini 1.13 Cable Assembly
with RP-SMA Bulkhead Jack & MHF
2. Customer : 明泰科技股份有限公司
3. Part No. : THW0796A
4. Coaxial Length : 80 mm (see Drawing)
5. Electrical Characteristics
 - Operating Frequency : 1~6 GHz
 - Impedance : 50 Ohm nominal
 - Attenuation. : -2.0dB Max.
6. Mechanical Characteristics
 - Connector : RP-SMA Bulkhead Jack
: MHF
7. Raw Material
 - Coaxial Cable : Mini 1.13
 - Core : K5A RH4*10*2



TOLERANCES:

X	±1.0
X.X	±0.6
X.XX	±0.2
ANGULAR	±5.0°

版次	修訂日期	ECR NO.	作成	設計變更內容簡述

作業說明:

- Cable Assembly組立，依照WSW0063A Cable Assembly 組立作業指導書規定製作。
依據AQ-0063A QC管理工程圖，執行品質管制。
- 依WSW0010A 1.13 φ Mini Coaxial Cable With MHF作業標準指導書規定。
依據AQ-0010A QC管理工程圖，執行品質管制。
- 鐵粉芯組立組立，依照WSW0009 EMI Sleeve Core 組立作業指導書規定製作。
包裝方式：
1. 成品每100pcs包一袋，內附螺帽1包(100pcs/包)及止滑華司2包(100pcs/包)。

NO	材料名稱	環材	電腦編號	零件規格	顏色	切斷尺寸	用量	備註
11	MHF Connector	√	272027811R13JP	@20278-111R-13 (I-PEX)	金		1	或同級品
10	熱縮套管	√	53A402501000BC	@F34 2.5 黑 L=10mm	黑		2	或同級品
9	熱縮套管	√	53A404002000BC	@F34 4.0 黑 L=20mm	黑		1	或同級品
8	熱縮套管	√	530102501060BC	@F32 2.5 藍 L=10mm	藍		1	或同級品
7	EMI Sleeve Core	√	3040020100A0CG	@ K5A RH4*2*10	黑		1	或同級品
6	螺帽	√	B02892200502A5	@028922005 Nut Bulkhead Reverse SMA	金		1	或同級品
5	止滑華司	√	B02892200501A5	@028922005 Washer Bulkhead Reverse SMA	金		2	或同級品
4	SMA Bulkhead 連接軸	√	B0270B000000A5	@0270B SMA Bulkhead For 1.13 連接軸	金		1	或同級品
3	絕緣 公PIN	√	B0376AB00000A5	@0376A-B 絕緣 公PIN 白	白		1	或同級品
2	RP SMA Bulkhead Jack 本體	√	B0376A000000A5	@0376A RP-SMA Bulkhead Jack-10L For 1.13 金	金		1	或同級品
1	MINI 1.13 Coaxial Cable	√	B1MINI113A80AE	@MINI OD:1.13灰 GY-193 鍍錫編織(萬泰)	淺灰	85	1	或同級品

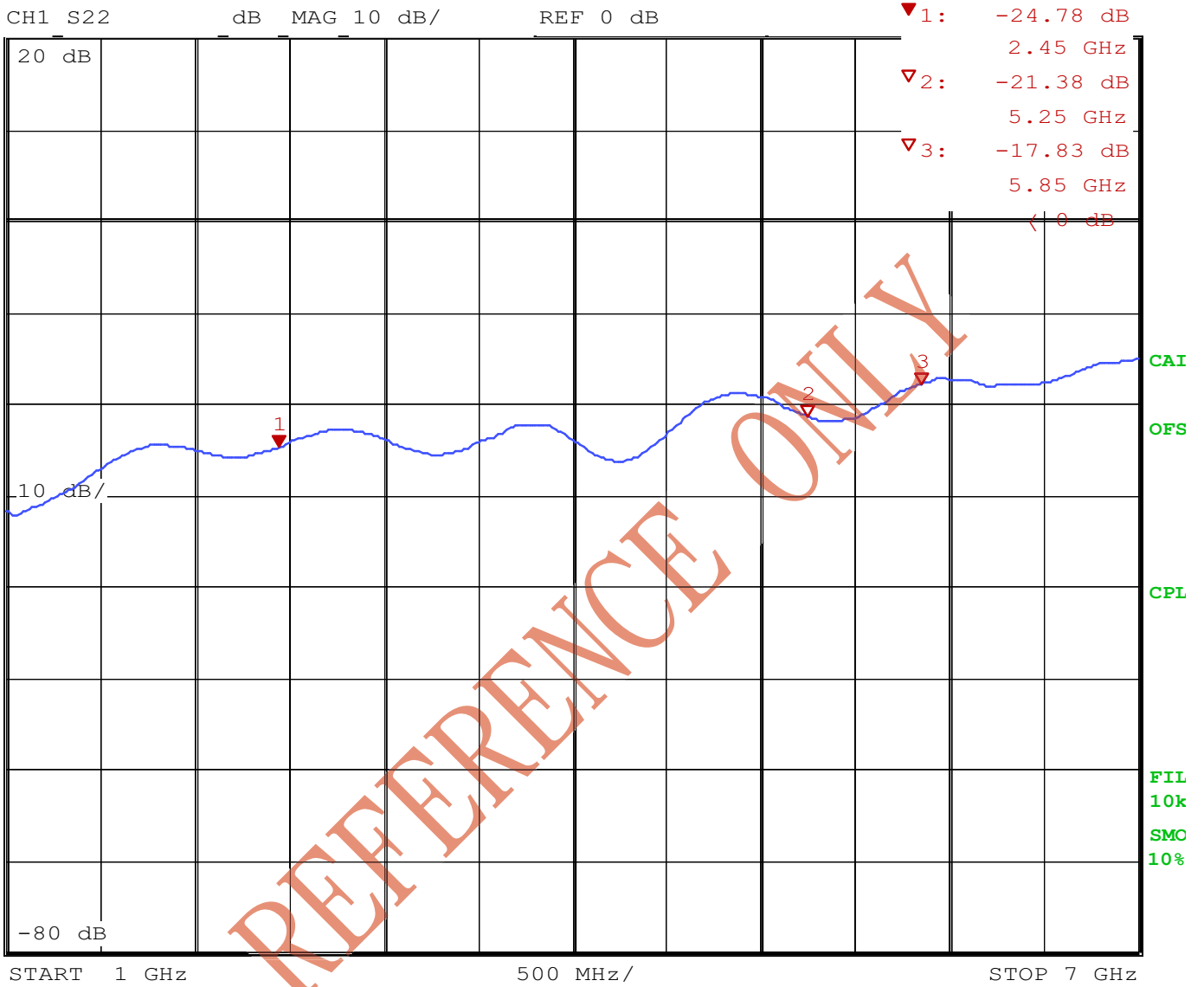
修訂日期:		制訂日期: 2007/08/09		承認圖號	505960079610G		
頁數: 1/1	核准	審查	作成	品名	Mini 1.13 Cable Assembly with MHF (L=80)(K5A)		
第三角法	Ryan	郭慧純	易姿岑		成品編號	THW0796	REV
單位: mm				A			1
比例: FREE							

萬旭電業股份有限公司

文件編號: FMT-0513-D7

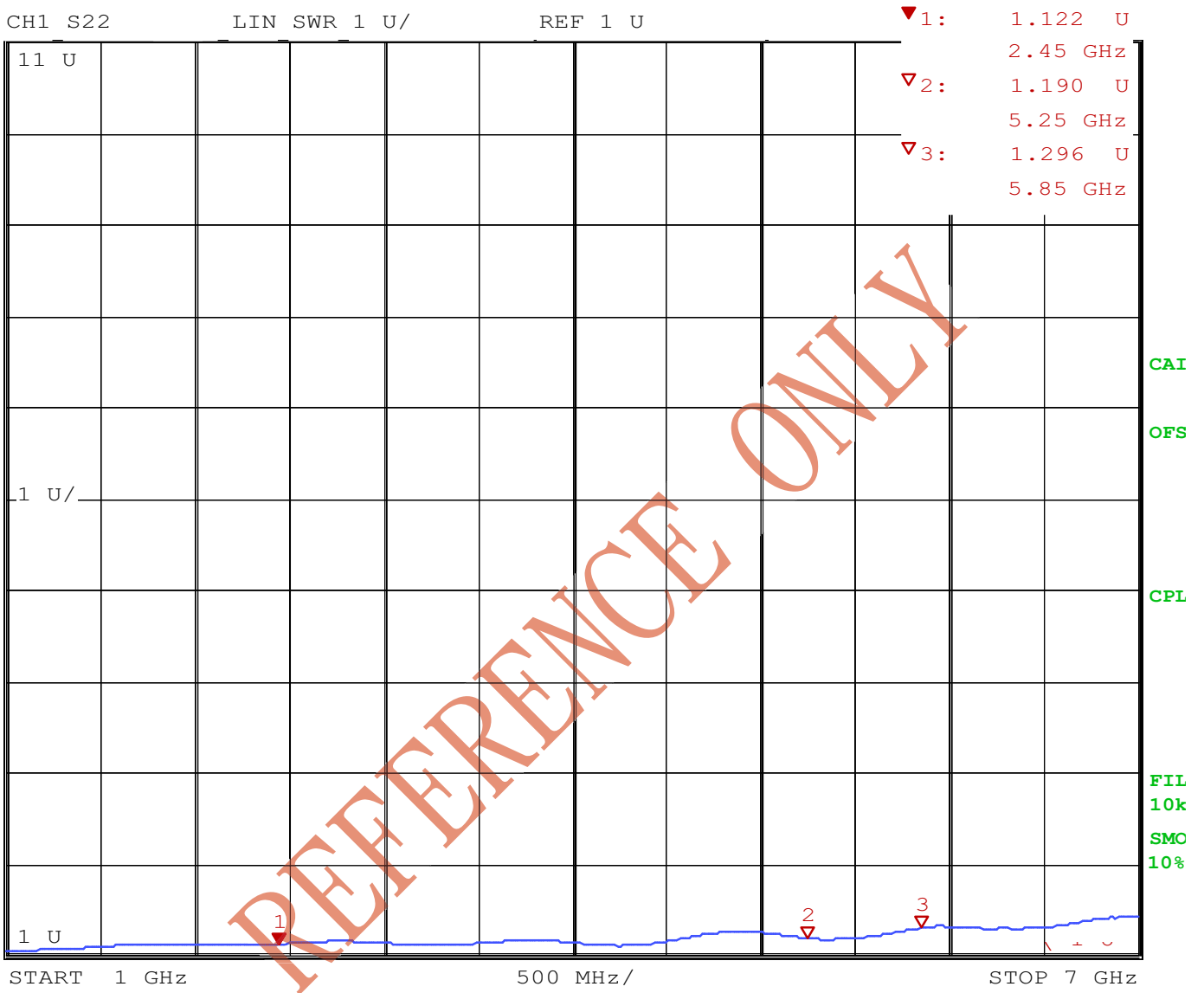
Electrical Characteristic

Return Loss



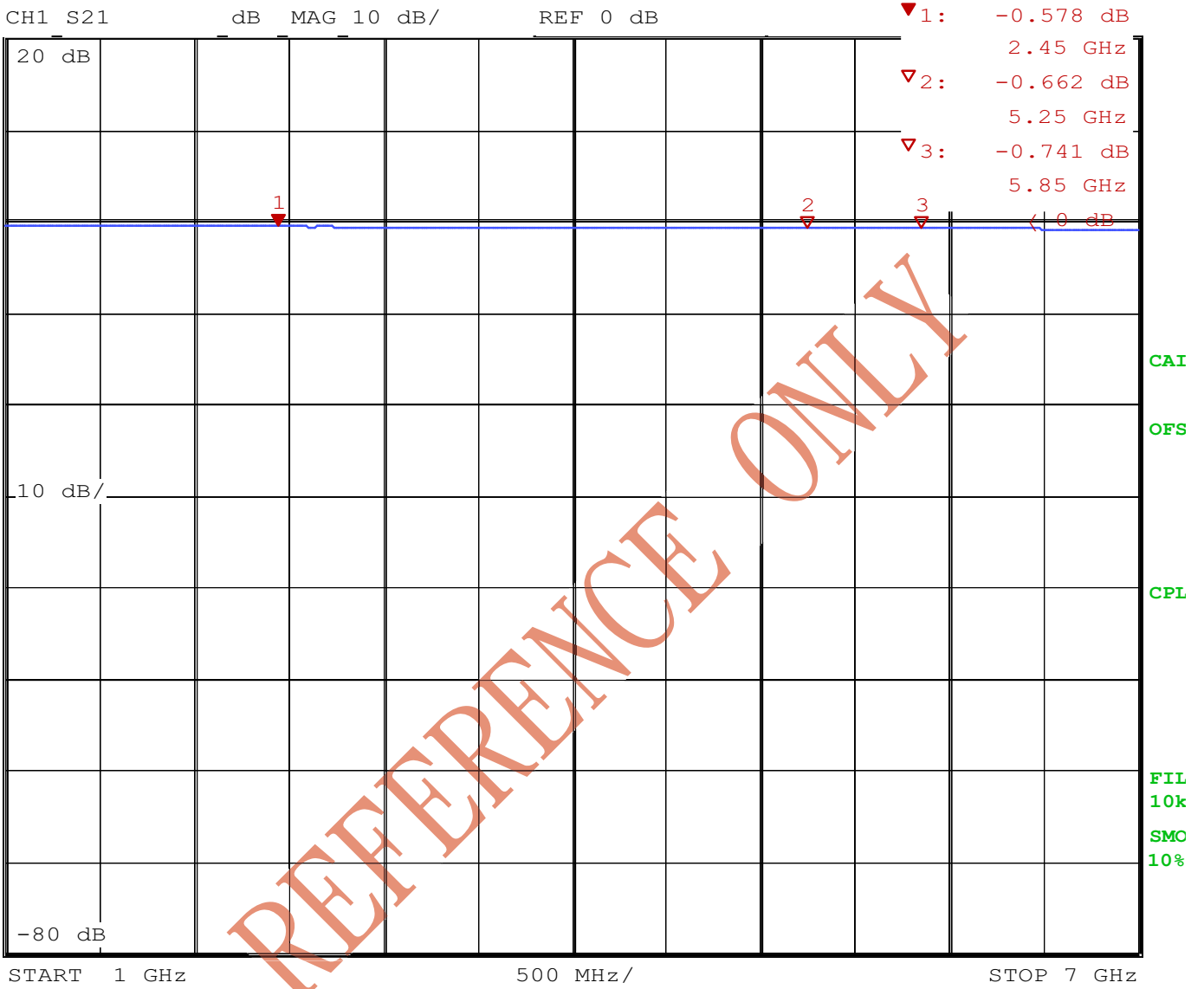
Electrical Characteristic

V.S.W.R



Electrical Characteristic

Attenuation



Material Data Sheet

Mini-1.13 Coaxial Cable

SPECIFICATION FOR APPROVAL

DOCUMENT: A3132TS001

STYLE : COAXIAL CABLE
105°C 30V

SIZE: 32AWG×1C
BRAID : TS

RECOGNIZED: UL 1979



WONDERFUL HI-TECH CO.,LTD.

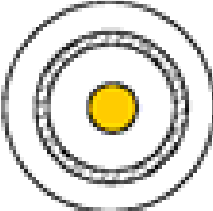
OFFICE : 72WU KONG 6TH ROAD,
WU KU IND. DISTRICT
TAIPEI HSIEN,TAIWAN

TEL : (02)22988033
FAX : (02)22988031-2

FACTORY : 17 PEI YUAN ROAD,
CHUNG-LI IND. PARK
TAIWAN, R.O.C.

TEL : (03)4527777
FAX : (03)4517214

WONDERFUL HI-TECH CO., LTD.
SPECIFICATION

STYLE	105°C 30V UL 1979	DOCUMENT NO : A3132TS001	
SIZE	32AWG	ESTABLISHED DATE: 2005/05/11	
STANDARD :			
Conductor	Size	AWG	32
	Material	----	Silver Cover Copper
	Conductors No.	----	7
	Conductors Size	mm	0.080
	O.D.	mm	0.240
Insulation	Average Thickness	mm	0.22
	Diameter	mm	0.68 ± 0.02
	Material	----	FEP
	Color	----	Clear
Braid	Material	----	Tinned Copper
	Construction	mm	16 / 4 / 0.050
	Coverage	%	90
Jacket	Average Thickness	mm	0.13
	Diameter	mm	1.13 ± 0.05
	Material	----	FEP
	Color	----	According to custom
Marking	Non		
Drawing			

AK001/210X297/1.0

PAGE : 1

EDITION : 1.1

MAKER : C.Y.CHEN

CONFIRM : S.N.WONG

APPROVAL : W.J.WANG



WONDERFUL HI-TECH CO., LTD. SPECIFICATION

Electrical & Physical Properties					
Item		32AWG			
Rating Temp Voltage		105°C 30V			
Conductor Resistance		545 OHM/KM/20°C MAX.			
Insulation Resistance		1000 MEGA OHM/KM MIN.			
Dielectric Strength		AC 500 V/Minute			
Spark Test		2.5 KV			
Insulation	Unaged	Tensile Strength	2500 PSI MIN.(1.76 Kg / m m ²)		
		Elongation	200% MIN.		
	Aged	Tensile Strength	UNAGED MIN. 75%(168HRS×232°C)		
		Elongation	UNAGED MIN. 75%(168HRS×232°C)		
Jacket	Unaged	Tensile Strength	2500 PSI MIN.(1.76 Kg / m m ²)		
		Elongation	200% MIN.		
	Aged	Tensile Strength	UNAGED MIN.75%(168HRS×232°C)		
		Elongation	UNAGED MIN.75%(168HRS×232°C)		
Nom. Impedance		50 ± 3 Ohms			
Nom. Capacitance		96 ± 3 pF/m			
Nom. Vel. of Prop.		69%			
VSWR Test (0 – 6 GHZ)		Less 1.3			
Flame Test		VW-1 OK			
Attenuation (dB/1m)	2.0GHZ	2.4GHZ	2.5GHZ	5.0GHZ	6.0 GHZ
	2.80	3.10	3.15	4.85	5.20

AK001/210X297/1.0

PAGE : 2

EDITION : 1.1

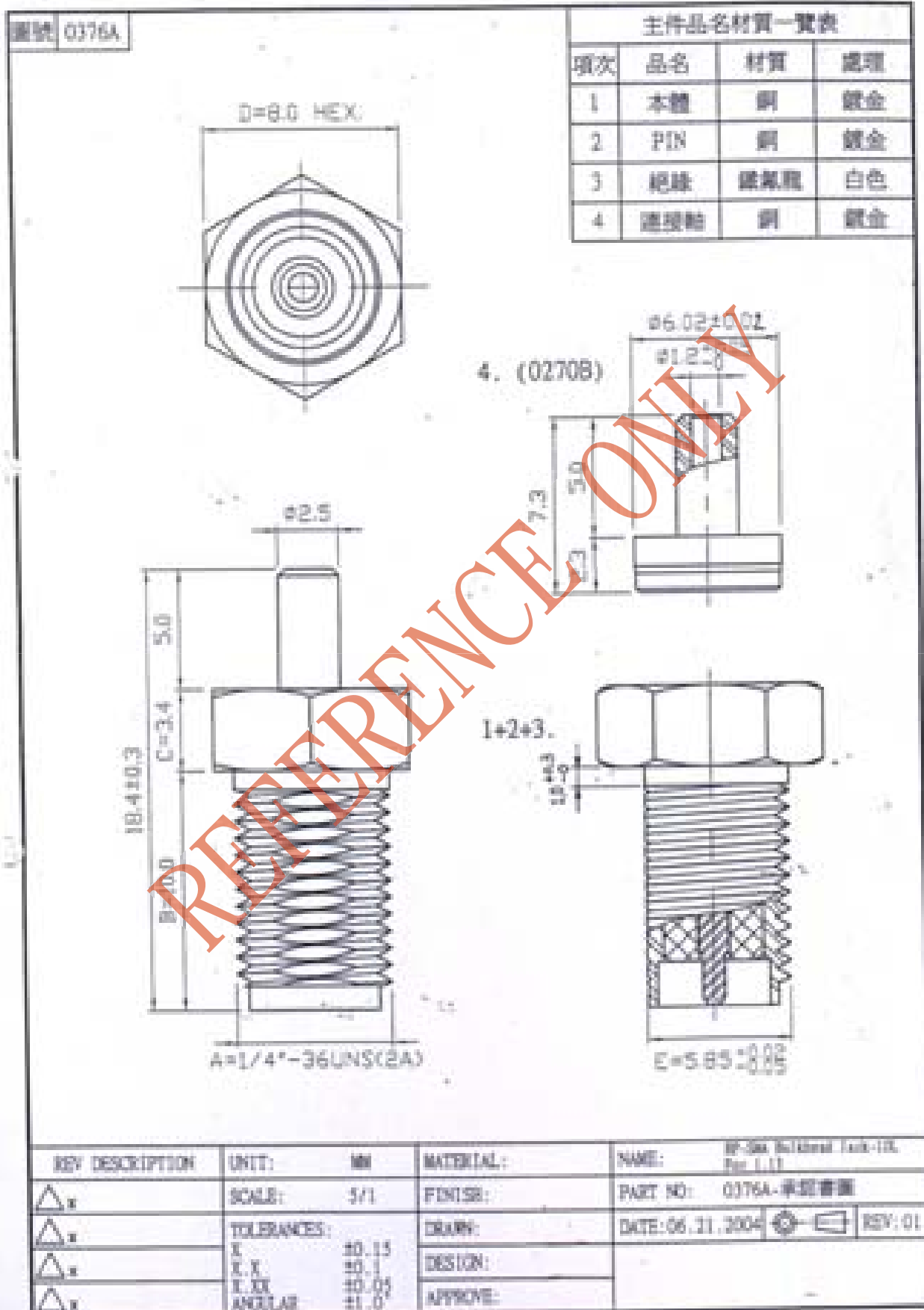
MAKER : C.Y.CHEN

CONFIRM :S.N.WONG

APPROVAL : W.J.WANG

Material Data Sheet

RP-SMA Bulkhead Jack



Material Data Sheet

MHF Connector

PART NO.
20278-...1R-...

Plug
P/N 20278-1·1R-08
P/N 20278-1·1R-13
P/N 20278-1·1R-32

Cable Ass'y

Coaxial cable

Receptacle
Part No. 20279-001E-01

MATING

Part No. 20278-101R-08
20278-101R-13
20278-101R-32

For hand tool
(with notch)

Part No. 20278-111R-08
20278-111R-13
20278-111R-32

For semi auto
termination machine
(without notch)

Part No. 20278-111R-08
20278-111R-13
20278-111R-32

For semi auto
termination machine
(without notch)

REV. RECORD

REV	ECN	BY	DATE	APP	REV	ECN	BY	DATE	APP	SERIES No.
11C	Z3041	K.O.	Mar/24/03	K.K.	4	Z2023	K.O.	JUN/30/03	E.K.	DESIGN D BY
10C	Z3014	K.O.	JAN/31/03	K.K.	3	Z1256	K.O.	NOV/14/03	K.K.	CHK D BY
9C	Z2238	K.O.	NOV/15/02	E.K.	2	Z1197	K.O.	MIC/27/03	K.K.	CHK D BY
8C	Z2224	K.O.	OCT/17/02	E.K.	1	Z1118	K.O.	JUN/26/03	K.K.	APP D BY
7C	Z2074	K.O.	OCT/29/02	E.K.	0	Z1109	K.O.	JUN/13/03	K.K.	APP D BY
6C	Z2074	K.O.	NOV/21/02	K.K.	0	Z1109	K.O.	JUN/13/03	K.K.	APP D BY
5C	Z2052	K.O.	NOV/17/02	K.K.	58	Z1117	A.H.	MAY/17/02	K.K.	APP
4C	Z0499	K.O.	OCT/07/04	T.H.	78	Z2180	K.O.	JUL/29/02	E.K.	REV
3C	Z0524	K.O.	JAN/20/05	T.H.	9C	Z2238	K.O.	NOV/15/02	E.K.	CHK
2C	Z0533	K.O.	Jan/20/05	T.H.	10C	Z3014	K.O.	JAN/31/03	K.K.	DESIGN
1C	Z0533	K.O.	Nov/18/05	J.H.	11C	Z3041	K.O.	Mar/24/03	K.K.	APP

GENERAL TOLERANCE

6 MAX. ±0.2

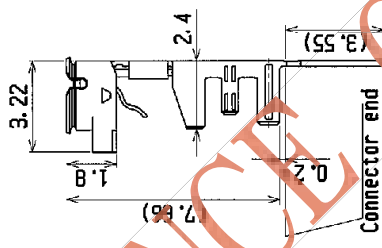
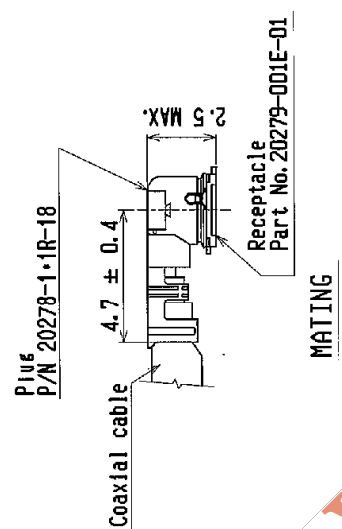
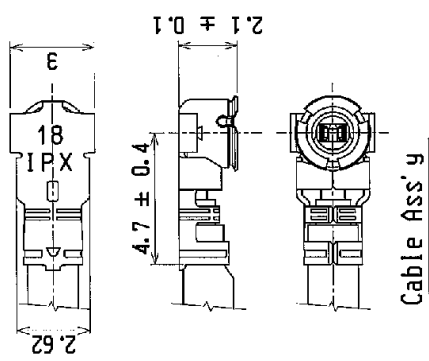
6 OVER MAX. 30 ±0.3

30 OVER MAX. 120 ±0.5

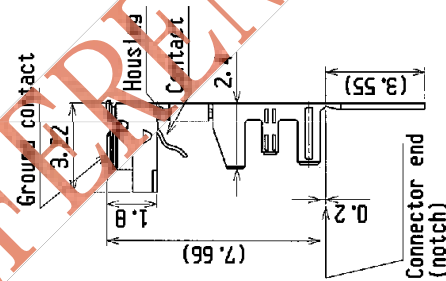
ANGLE ±2°

FORM REV. 4

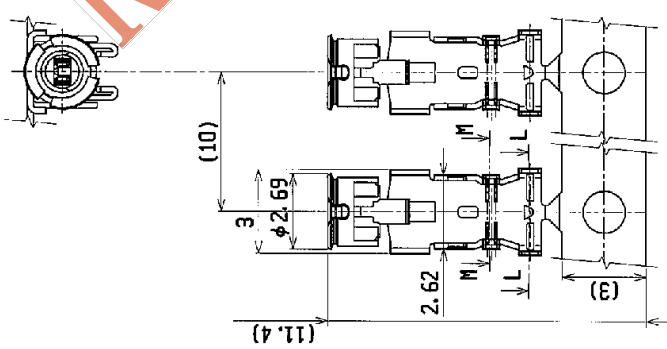
PART NO.
20278-1R-18



Part No. 20278-110K-18
For semi auto
termination machine
(without notch)



Part No. 20278-101R-18
For hand tool
(with notch)



GENERAL TOLERANCE	
6 MAX.	±0.2
6 OVER MAX. 30	±0.3
30 OVER MAX. 120	±0.5
ANGLE	±

DESIGN'D BY		DATE	 Interconnect and Potassium Electroplating TOKYO, JAPAN		
CHK'D BY		DATE			
APP'D BY		DATE			
REV	ECN	BY	DATE	APP	TITLE
					MHF series micro coaxial connector plug vertical (ground contact : gold plating)
REV. RECORD		PROJECTION		SCALE	UNIT
SERIES No. 2814		CUSTOMER COPY		8/1	MM
		DWS. No.		20278	SHEET REV.
		COPY			2/4, 17C

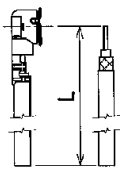
REFERENCE ONLY

WAS T

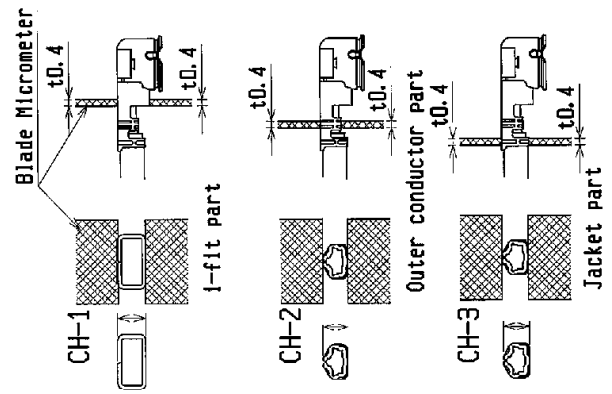
FORM REV. 4

Part No.	20278-101R-08 20278-111R-08	20278-101R-13 20278-111R-13	20278-101R-32 20278-111R-32	20278-101R-18 20278-111R-18
Housing color	White	Black	Black	White
Applicable cable nominal dimension	2.09±0.1 1.25±0.1 1.16±0.1	2.09±0.1 1.25±0.1 1.16±0.1	2.09±0.1 1.25±0.1 1.16±0.1	2.09±0.1 1.25±0.1 1.16±0.1
Jacket	Outer conductor silver plating Dielectric core Inner conductor silver plating	Outer conductor silver plating Dielectric core Inner conductor silver plating	Outer conductor silver plating Dielectric core Inner conductor silver plating	Outer conductor silver plating Dielectric core Inner conductor silver plating
Crimp Height	CH-1 CH-2 CH-3	CH-1 CH-2 CH-3	CH-1 CH-2 CH-3	CH-1 CH-2 CH-3

Cable cut length



Crimp Height



NOTE-1

中心導体、外部導体への半田コティングは不可
Must not use solder coated
inner conductor and outer conductor.

GENERAL TOLERANCE

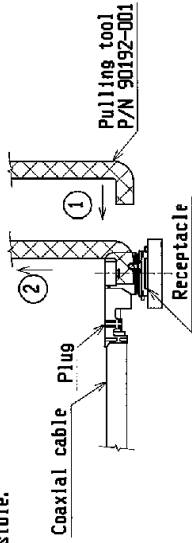
6 MAX.	±0.2
6 OVER MAX. 30	±0.3
30 OVER MAX. 120	±0.5
ANGLE	±2°

DESIGN'D BY	DATE	INTERCONNECT and Plasmas Electronics TOKYO, JAPAN
CHK'D BY	DATE	
APP'D BY	DATE	
REV. REC'D BY	DATE	
REV. RECORD	APP	
SERIES No.	2814	
CUSTOMER COPY		
PROJECTION		
TITLE	MF series micro coaxial connector plus vertical (ground contact : gold plating)	
SCALE	UNIT	DWG. No.
1/1	MM	20278
SHEET	REV.	
9/4	17C	

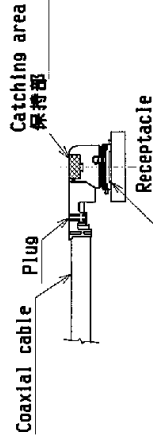
WAS T

5-2 Unmating.

(1) In case of unmating by pulling tool.
Please use the pulling tool as the following drawing, and please pull plug to vertical direction as directly as possible.



(2) In case of unmating directly by hand
Please catch the catching area of plug, and please pull plug to vertical direction as directly as possible.



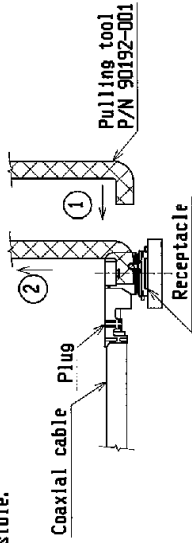
5-3 Crimp over standards of outer conductor
Standards: Less than 10% from total numbers of outer conductor
(Numbers of outer conductor's crimp over from outer conductor's barrel)

5-4 Caution about Heat shrinkage tubes
Please be careful not to melt housing when using heat shrinkage tubes. It will become cause of open circuit.

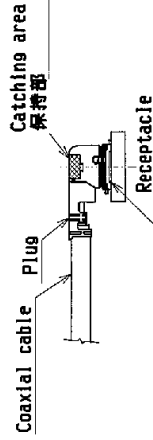
6. This is 'Pb-free' connector.

5-2 コネクタ抜き

(1) 抜きシグを用いる場合
下図のようにできるだけ垂直に引き抜いて下さい。



(2) 手で直接引き抜く場合
下部の握持部をつかみ、できるだけ垂直に引き抜いて下さい。

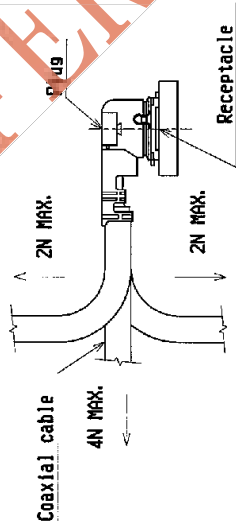


5-3 外部導体はみ出し量
外部導体はみ出し量標準
: 外部導体トータル本数の
10%以下
(外部導体バレルの外に
はみ出し量)

5-4 熱収縮チューブについて
熱収縮チューブで外部導体
を覆う場合は、熱収縮管の
原因になりませんので、熱収縮
管よりハウジングを溶融させない
よう注意して下さい。

6. 本コネクタは 'Pb-free' である

1. 材料
(1) ハウジング : PBT, UL94V-0
(2) コンタクト
リチウム青銅 0.1μm MIN.
金メッキ 1.27μm MIN.
(3) グランドコンタクト
リチウム青銅 0.05μm MIN.
金メッキ 1.27μm MIN.
2. 梱包
リール
3. 組立相手
Part No. : 20279-001E-01
4. コネクタの許容負荷



5. コネクタの組立および抜き時の注意

5-1 コネクタ挿入時
PlugとReceptacleの方向を合わせ、
できるだけ垂直に挿入して下さい。
極端な角度の挿入は行わないで下さい。
コネクタの組立の角度と向きを必ず、
挿入は行わないで下さい。

5. Suggestions for mating & unmating operation.

5-1 Mating.
Please mate the connector straightly to vertical direction as much as possible, adjusting the mating axis of plug and receptacle.
As excessive slant angle mating may break the connector, please don't do it.

Notes

1. Material
(1) Housing : PBT, UL94V-0
(2) Contact
phosphor bronze
gold plating 0.1μm MIN.
over nickel 1.27μm MIN.
- (3) Ground contact
phosphor bronze
gold plating 0.05μm MIN.
over nickel 1.27μm MIN.
2. Packing : reel
3. Mating partner part No.
: 20279-001E-01
4. Permissible load of cable at mating

Coaxial cable

4N MAX.

2N MAX.

Plug

Receptacle

DESIGN D BY		DATE
CHK D BY		DATE
APP D BY		DATE
REV	ECN	BY DATE APP
REV. RECORD		APP
SERIES No.		2814
CUSTOMER COPY		
PROJECTION		UNIT
SCALE		UNIT
DRAWING No.		20278
SHEET		REV.
4/4		17C

I-PEX

Interconnect
and Packaging Electronics
TOKYO, JAPAN

TITLE MHF series micro coaxial connector plug
vertical (ground contact : gold plating)

SCALE UNIT

PROJECTION UNIT

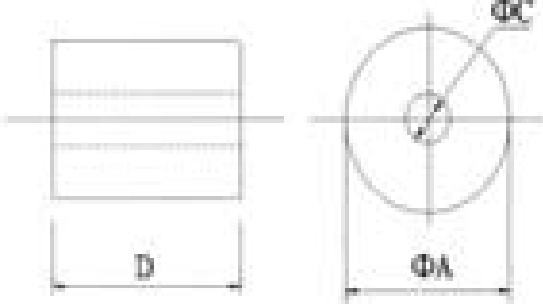
WAS T

FORM REV. 4

Material Data Sheet

EMI Sleeve Core

SPECIFICATION FOR APPROVAL

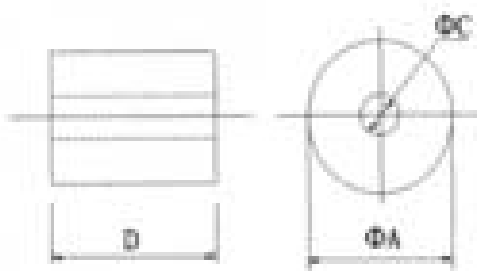


CUSTOMER: 萬旭電業股份有限公司		C/S F/W:		DATE: 2003/10/9
ITEM: KSA RH 4X2X10		REF NO: 10-13-040020100-0		
(1) DIMENSION (Unit: mm)		A	4.00	+0.20
				
		C	2.00	+0.15
		D	10.00	+0.40
(2) ELECTRICAL REQUIREMENTS:				
		TEST FREQ	TOLERANCE:	
		TEST FREQ		
Z	35	-0	TEST FREQ	25 MHz
Z	60	-0	TEST FREQ	100 MHz
		TEST FREQ		
COIL DATA	Q _{min}	TEST FREQ		
	L _{min}	TEST FREQ		
Winding 0.65 Φ I 63 mm T.C.W 1 TS				
(3) TEST INSTRUMENTS				
1. IMPEDANCE ANALYZER: HP4191A				
DRAWN	CHECKED	APPROVED	ISSUE NO.	
DATE	DATE	DATE	WC-RH-030	

佳真股份有限公司
CORE-TECH CORPORATION

TEL: 03-4861211
FAX: 03-4861210

INSPECTION DATA

ISSUE NO: WC-R28-039

CUSTOMER	萬旭電業股份有限公司	DATE	2003/10/9	Quantity	0 pcs								
PART NO.	10-13-040020100-0												
ITEM	E5A RH 4X2X10												
COIL SPEC	0.05 Φ I 63 mm T.C.W I TS												
COIL DATA	Q0= C0= (PF)												
TEST FREQ	F0= Hz Ft= 25,100 MHz												
TEMPERATURE	28 ℃ Humidity 87 %												
ELECTRIC CHARC.			DIMENSION(Unit:mm)										
	L	Q	Z(25)	Z(100)	A	B	C	D	E	F	G	H	I
SP			35.00	60.00	4.00		2.00	10.00					
+					0.20		0.15	0.40					
-			0	0	0.20		0.15	0.40					
1			45.00	82.00	3.96		2.02	9.95					
2			47.00	84.00	3.93		2.03	9.98					
3			46.00	82.00	3.92		2.04	9.96					
4			47.00	82.00	3.91		2.03	9.98					
5			45.00	81.00	3.95		2.08	9.96					
6			46.00	80.00	3.93		2.05	10.00					
7			46.00	81.00	3.95		2.03	10.02					
8			46.00	81.00	3.93		2.07	9.95					
9			46.00	80.00	3.92		2.09	9.93					
10			45.00	82.00	3.96		2.05	9.97					
X			45.00	81.50	3.94		2.05	9.97					
R			2.00	4.00	0.05		0.07	0.09					
TEST INSTRUMENTS						INSP No:							
1. IMPEDANCE ANALYZER: HP4191A													
REMARK:						Inspected	Checked	Approved					
													

CORE-TECH CORPORATION

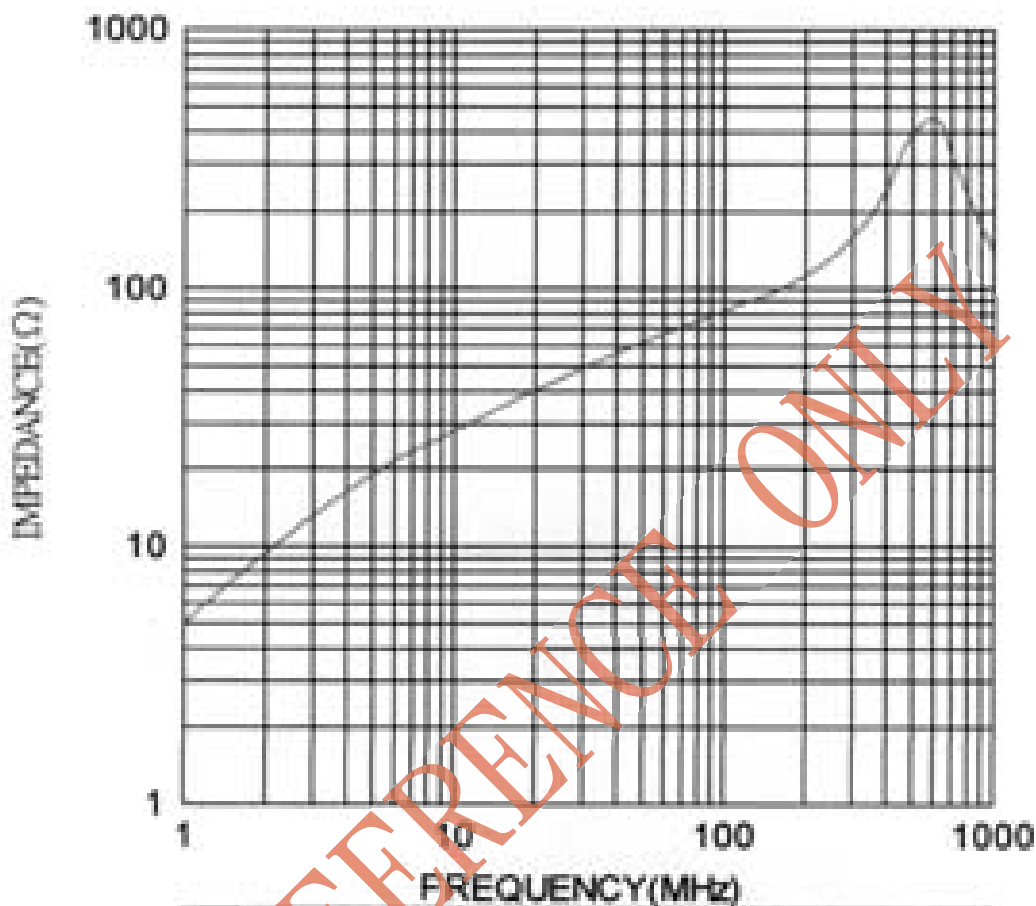
TEL: 83-28812116

Z-F RESPONSE

K5A RH 4X2X10

1. TEST INSTRUMENT: HP4191A

2. WINDING: 0.65 ϕ X63 mm T. C. W ITS



	1	5	10	25	50	100	200	300	400	500	600	700	800	900	1000
Z—	5	15	26	45	62	82	113	160	244	392	452	322	239	176	141

(DATA BETWEEN 500MHz AND 1000MHz ARE FOR REFERENCE ONLY)

CORE-TECH CORPORATION

<http://www.coretechweb.com.tw>
 E-mail: coretech@pts1.seed.net.tw
 TEL: 03-4861211 FAX: 03-4861210

零組件承認/申請報告書

編號： E24694


2006/08/10

Alpha P/N： 505960079510G		申請者：		主管：	
零組件品名： ANT CABLE Mini 1.13 L=150mm					
：					
原製造廠商：			原廠編號： SHW0795A1		
代理商：					
聯絡人：			電話： 02-2298-8066#323		
應用機種：					
COMMENTS：					
<p style="font-size: 48px; color: red; opacity: 0.5; transform: rotate(-30deg);">REFERENCE ONLY</p>					
承辦者： ： N/A 日期： 2006/08/03 12:00:38					
結果	合格	審核	2006/08/03 18:14:21		

電子零件類 機構類 包材類 其它

ROHS: 符合 不符合

申請日期: 94年 11月 22日 申請人: 林致協
料號: EW9000151000R 品名: 線材 RF 萬旭 SHW0795A1
零件規格: 灰 15cm 包覆有鐵心 RSMA-MHF1.13mm 第二來源材料
使用機種: NFS-302H 製造/供應廠商: 萬旭/萬旭

測試結果:	
<input checked="" type="checkbox"/> 電子: Test, OK.	測試人: <u>林致協</u>
<input type="checkbox"/> 機構:	測試人:
<input type="checkbox"/> 包材:	測試人:
<input type="checkbox"/> 其它:	測試人:
檢驗重點標式: NA	
包裝方式及外銷標識: NA	
注意事項(關鍵特性): NA	
REFERENCE ONLY	
	
抽換承認書或承認樣必須給資材部會簽	
意見: _____	簽名: _____

結論:
 接受 有條件接受 退回 原因: _____
主管簽核: 許仁榮 承認者: 林致協
2005/11/22 承辦者: 蔡練好

承 認 書
SPECIFICATION FOR APPROVAL

客 戶
CUSTOMER 尚亞科技股份有限公司

日 期
DATE 94 年 11 月 17 日

品 名
DESCRIPTION Mini 1.13 Cable Assembly (L=151)
With RP-SMA Bulkhead Jack & MHF

客 戶 料 號
CUSTOMER P/N EW9000151000R

成 品 編 號
Part NO. SHW0795A1



萬旭電業股份有限公司

WANSHIH ELECTRONIC CO., LTD.

台北縣五股鄉五工六路 72 號 3 樓

3F 72 WU KONG 6TH RD., WU KU INDUSTRIAL DISTRICT

TAIPEI HSIEN, TAIWAN, R.O.C.

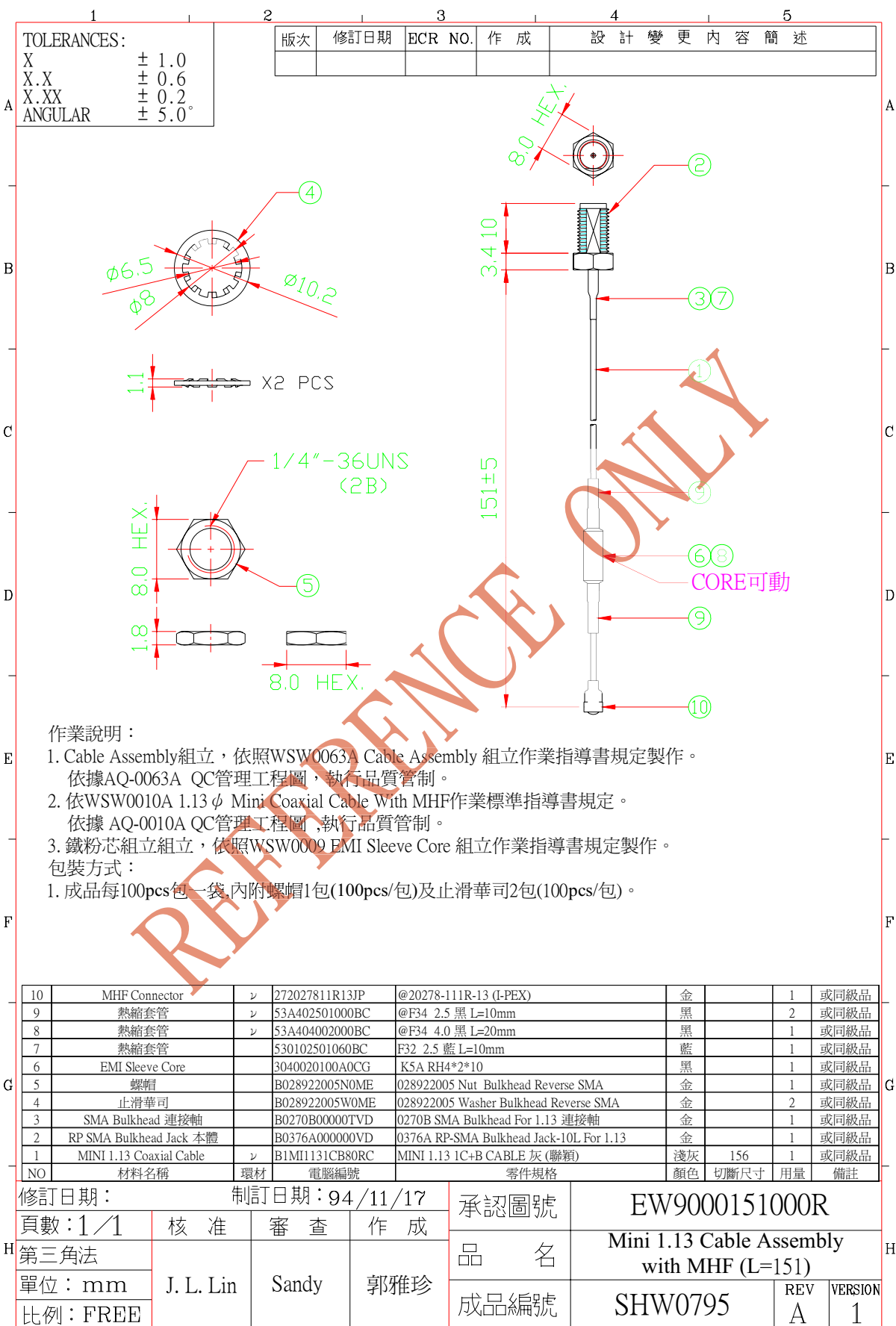
TEL : (02) 22988066 (5 LINE) FAX : (02)22981102

Table of Contents

Table of Contents	1
Specification	2
Drawing	3
Cable Assembly Electrical Characteristic	
Return Loss	4
V.S.W.R	5
Attenuation	6
Material Sheet	
Mini 1.13 Coaxial Cable	7-12
RP-SMA Bulkhead Jack	12-16
MHF Connector	17-31
EMI Sleeve Core	32-36
Heat Shrink Tube	37-42

SPECIFICATION

1. Description : Mini 1.13 Cable Assembly
with RP-SMA Bulkhead Jack & MHF
2. Customer : 尚亞科技股份有限公司
3. Part No. : SHW0795A1
4. Coaxial Length : 151 mm (see Drawing)
5. Electrical Characteristics
 - Operating Frequency : 1~6 GHz
 - Impedance : 50 Ohm nominal
 - Attenuation. : -2.6dB Max.
6. Mechanical Characteristics
 - Connector : RP-SMA Bulkhead Jack
: MHF
7. Raw Material
 - Coaxial Cable : Mini 1.13
 - Core : K5A RH 4*10*2



Electrical Characteristic

Return Loss



Electrical Characteristic

V.S.W.R



Electrical Characteristic

Attenuation



Material Data Sheet

Mini-1.13 Coaxial Cable

COPARTNER WIRE& CABLE MFG.CORP

SPECIFICATION

Xintang Road 688, Changling Industrial Area, Xintian Village, Fuyong County,
Baoan District of Shenzhen, Guangdong, China
TEL: 86-755-2731-2988, 2731-2746 FAX: 86-755-2731-2730

CUSTOMER:

STYLE: **COAXIAL CABLE**

SPEC.: **1C*32AWG+B**

PART NO.: **3970132002**

CUSTOMER CODE:

DATE : **2004/7/23**

REVISION: **A**

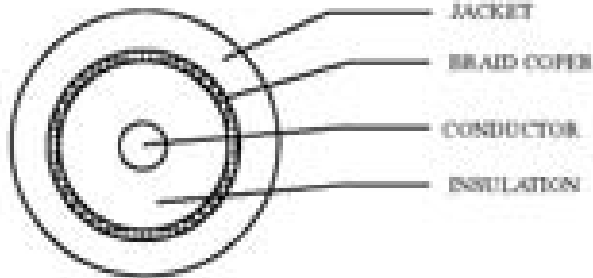
TOTAL PAGES: **3**

COPARTNER SIGNATURE	CUSTOMER APP CUSTOMER P.N.
PREPARED BY : LXY	CHECKED BY:
CHECKED BY:	APPROVED BY:
APPROVED BY :	DATE:

CABLE CONSTRUCTION(電纜結構):

ITEM(結構項目)		SPECIFICATION(規格說明)
CONDUCTOR 導體	AWG(線規)	32AWG
	MATERIAL(材質)	SC
	COND SIZE(尺寸)	7/0.08±0.008 mm
INSULATION 絕緣體	MIN.AWG THICK(最小厚度)	0.13 mm
	MATERIAL(材質)	PFA
	O.D(外型)	0.66±0.03 mm
ALMYLAR 絕帶	NO(張數)	10
	COVERAGE(遮蔽率)	/
	OVERLAP(重疊率)	/
MYLAR 絕帶	COVERAGE(遮蔽率)	/
	OVERLAP(重疊率)	/
DRAIN 地線	AWG(線規)	/
	MATERIAL(材質)	/
	SIZE(尺寸)	/
BRAID 編織 COPPER 銅	MATERIAL(材質)	TINNED COPPER
	SIZE(尺寸)	1.4±0.05±0.008 mm
	COVERAGE(遮蔽率)	90%MIN
COVERING 被覆體	MIN.AWG THICK(最小厚度)	/
	MATERIAL(材質)	/
	O.D(外型)	/
FILLER 填充 LAYER 層	NO(張數)	/
	MATERIAL(材質)	/
	DIRECTION(股向)	/
FOAMED PP TAP 泡棉膠帶	PITCH(股距)	/
	COVERAGE(遮蔽率)	/
ALMYLAR 絕帶	OVERLAP(重疊率)	/
	COVERAGE(遮蔽率)	/
PAPER 紙	OVERLAP(重疊率)	/
	COVERAGE(遮蔽率)	/
DRAIN 地線	AWG(線規)	/
	MATERIAL(材質)	/
	SIZE(尺寸)	/
BRAID(編織) COPPER 銅	MATERIAL(材質)	/
	SIZE(尺寸)	/
SPIRAL(纏繞) COPPER 銅	MATERIAL(材質)	/
	SIZE(尺寸)	/
JACKET 被覆體	MIN.AWG THICK(最小厚度)	0.10 mm
	MATERIAL(材質)	FEP
	COLOUR(顏色)	GRAY
	O.D(外型)	1.13±0.10 mm
MARKING 印字	MARKING 印字	/

CONSTRUCTION(構造)



COLOR CODE(顏色代碼)

NATURAL

PHYSICAL PROPERTY & TRANSMISSION PERFORMANCE SPECIFICATIONS

Electric Character(電氣特性)

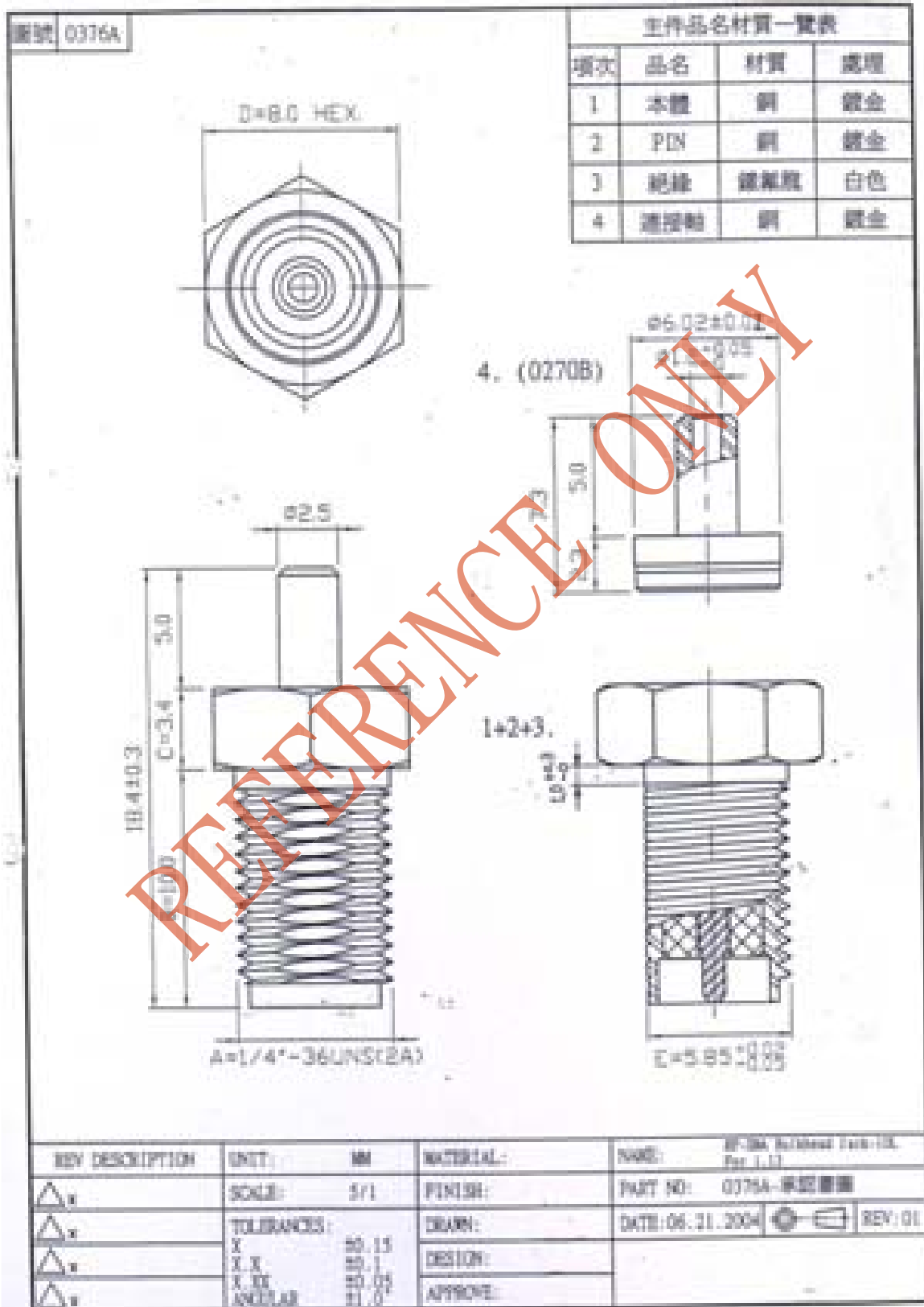
1. Conductor Resistance: at 20°C MAX 32AWG 56Ω/km
2. Insulation Resistance: 305MΩ·km min at 20°C @ 500V
3. Dielectric Strength: AC 500V/1minute
4. Impedance test (normal) : 50±2 Ω @ TDR
5. Attenuation (normal): at 0.9GHz 1.82dB/M at 1.5GHz 2.37dB/M at 1.9GHz 2.76dB/M
at 2.4GHz 3.05dB/M at 3GHz 3.43dB/M at 4GHz 3.94dB/M at 5GHz 4.45dB/M
at 5.8GHz 4.89dB/M at 6GHz 5.16dB/M

Physical Character of jacket (物理特性)

1. Tensile Strength (t/min): 250PSI min Aged: 75% min
2. Elongation (t/min): 200% min Aged: 75%

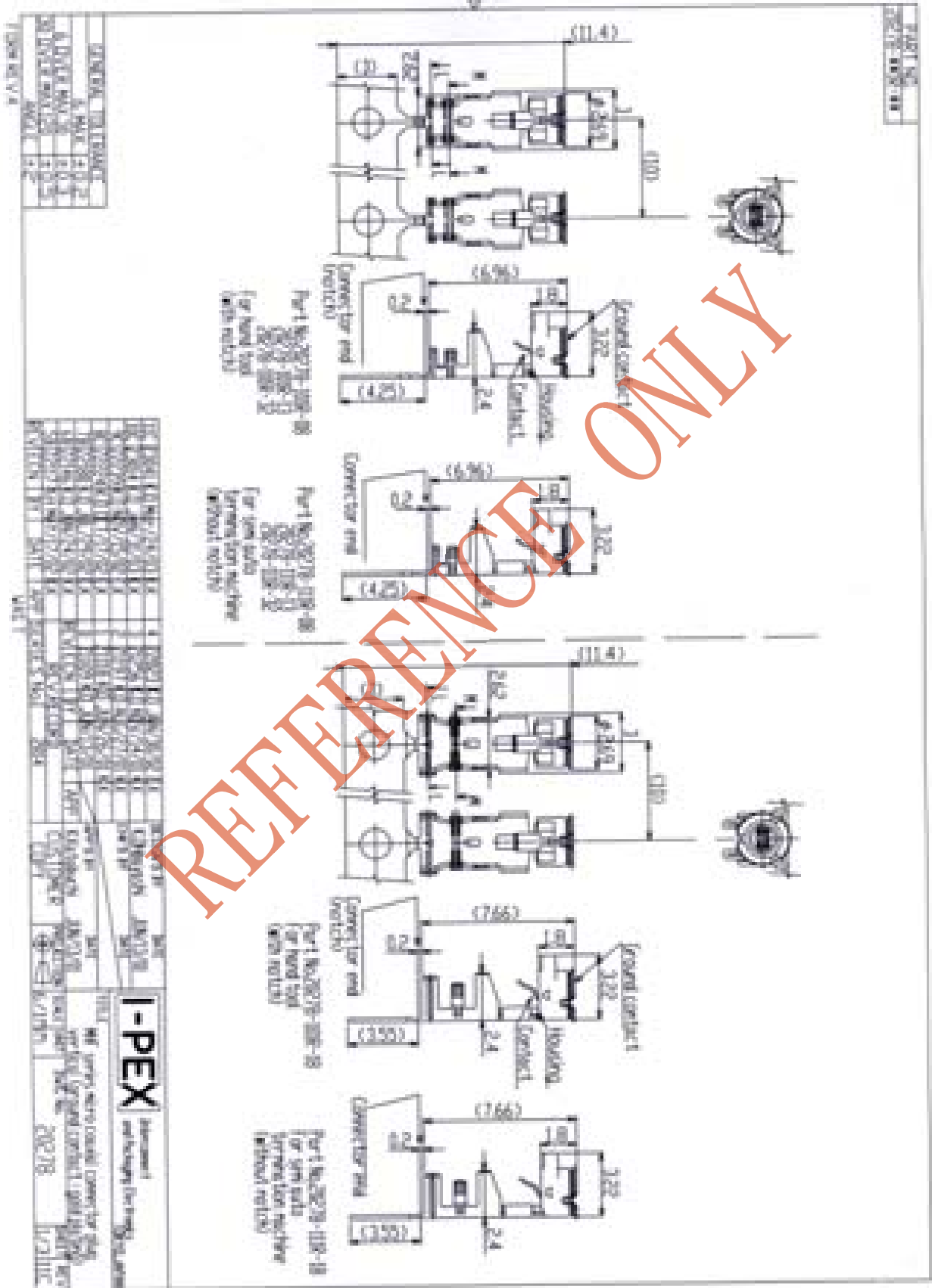
Material Data Sheet

RP-SMA Bulkhead Jack



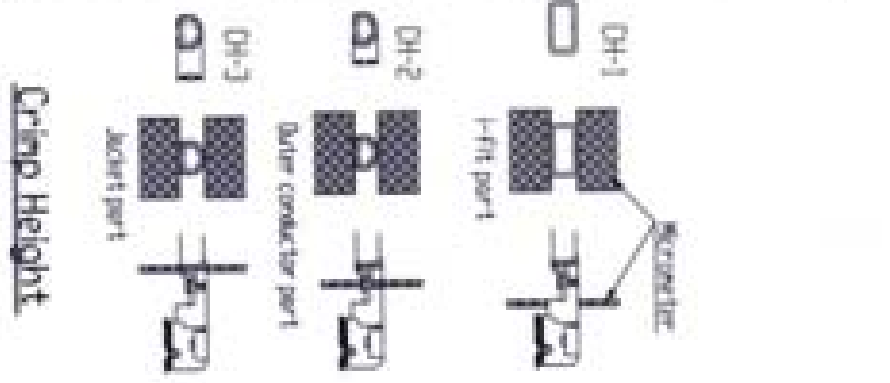
Material Data Sheet

MHF Connector



Part No.	2029-008-0	2029-008-1	2029-008-2	2029-008-3
Applicable cable nominal dimension	2.09±0.1 1.25±0.1 1.16±0.1	2.09±0.1 1.25±0.1 1.16±0.1	2.09±0.1 1.25±0.1 1.16±0.1	2.09±0.1 1.25±0.1 1.16±0.1
Crimp Height	OH-1 OH-2 OH-3	OH-1 OH-2 OH-3	OH-1 OH-2 OH-3	OH-1 OH-2 OH-3
Crimp Height	OH-1 OH-2 OH-3	OH-1 OH-2 OH-3	OH-1 OH-2 OH-3	OH-1 OH-2 OH-3

REFERENCE ONLY



I-PEX Advancements in Technology for High-Speed Interconnects

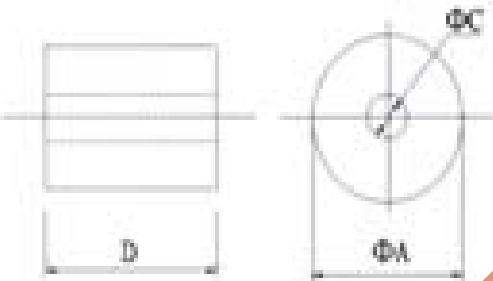
REF: crimp refers to crimp height for the crimped conductor. I-PEX does not guarantee crimp height for crimped conductors.

DATE: 02/29/2010

Material Data Sheet

EMI Sleeve Core

SPECIFICATION FOR APPROVAL

CUSTOMER: 萬地電業股份有限公司		DESIGN: _____	DATE: 2003/10/9
ITEM: KSA EM 412X10		REF NO: 10-13-040020100-0	
(1) DIMENSION (Unit: mm)		A	4.00 \pm 0.20 mm
		C	2.00 \pm 0.15 mm
		D	10.00 \pm 0.40 mm
(2) ELECTRICAL REQUIREMENTS:			
		REMARK:	
Z	35 \pm 0.5	TEST FREQ	25 kHz
Z	60 \pm 0.5	TEST FREQ	100 kHz
COIL DATA	Q _{min} L _{min}	TEST FREQ	
Finishing 0.45 ϕ X 43 mm T.C.W 1 TS			
(3) TEST INSTRUMENTS			
1. IMPEDANCE ANALYZER: HP4191A			
DRAWN	CHECKED	APPROVED	ISSUE NO.
DATE	DATE	DATE	WC-00-029

佳真股份有限公司
CORE-TECH CORPORATION

TEL: 03-4861211
FAX: 03-4861210

INSPECTION DATA

ISSUE NO: WC-RH-039

CUSTOMER	萬地電業股份有限公司	DATE	2003/10/9	Quantity	0 pcs								
PART NO.	10-13-040020100-0												
ITEM	K5A RH 4X2X10												
COIL SPEC	0.65 Φ X 63 mm T.C.W I TS												
COIL DATA	QD= CO= (PF)												
TEST FREQ	FO= Hz Ft= 25,100 kHz												
TEMPERATURE	28 °C	Humidity	87 %										
ELECTRIC CHARG.			DIMENSION (unit: mm)										
	L	Q	Z(25)	Z(100)	A	B	C	D	E	F	G	H	I
SP			35.00	60.00	4.00		2.00	18.00					
+					0.20		0.15	0.40					
-			0	0	0.20		0.15	0.40					
1			45.00	82.00	3.98		2.02	9.95					
2			47.00	84.00	3.90		2.03	9.98					
3			46.00	82.00	3.92		2.09	9.96					
4			47.00	82.00	3.91		2.03	9.98					
5			45.00	81.00	3.95		2.08	9.96					
6			46.00	80.00	3.93		2.05	10.00					
7			46.00	81.00	3.95		2.03	10.02					
8			45.00	81.00	3.93		2.07	9.95					
9			46.00	80.00	3.92		2.09	9.93					
10			45.00	82.00	3.98		2.05	9.97					
X			45.00	81.50	3.94		2.05	9.97					
R			2.00	4.00	0.05		0.07	0.09					
TEST INSTRUMENTS						INSP No:							
1. IMPEDANCE ANALYZER: HP4191A													
REMARK:						Inspected	Checked	Approved					

CORE-TECH CORPORATION

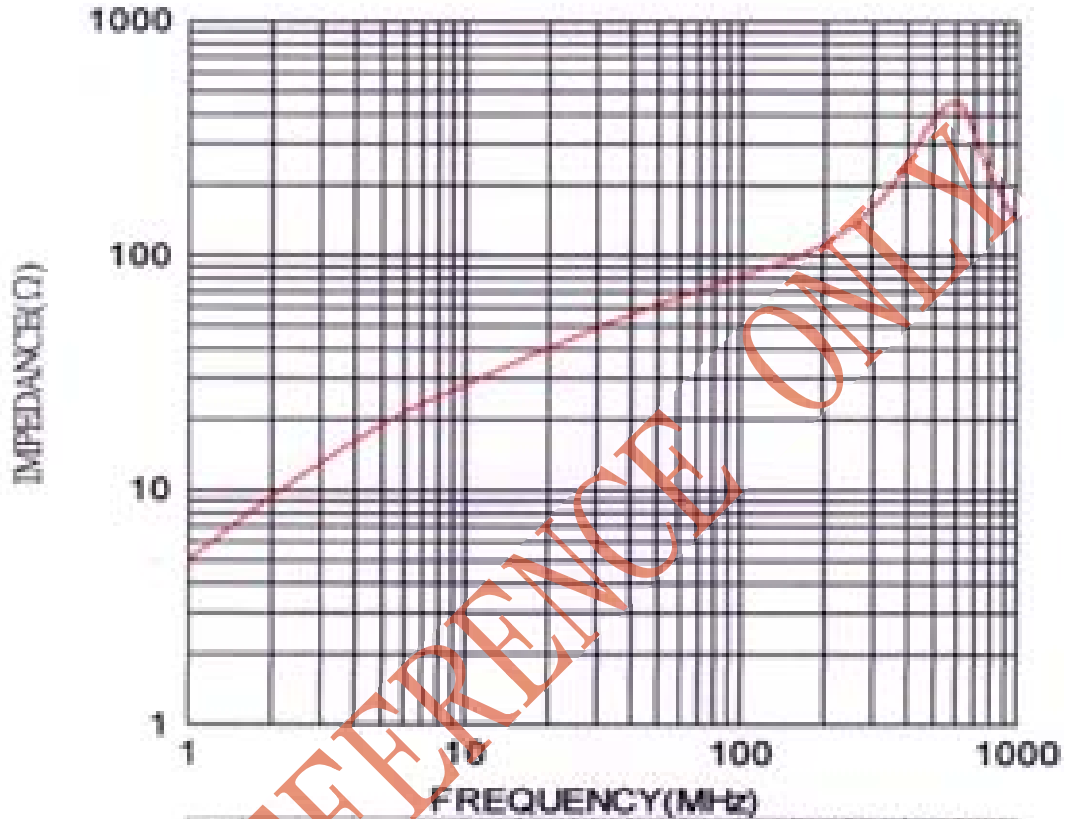
TEL: 83-4861210
FAX: 83-4861216

Z-F RESPONSE

K5A RH 4X2X10

1. TEST INSTRUMENT: HP4191A

2. WINDING: 0.65ΦX83 ■ T.C. ■ ITS



	1	5	10	25	50	100	200	300	400	500	600	700	800	900	1000
Z	5	12	20	45	62	82	113	160	244	392	452	322	229	176	141

(DATA BETWEEN 500MHz AND 1000MHz ARE FOR REFERENCE ONLY)

CORE-TECH CORPORATION

<http://www.coretechweb.com.tw>

E-mail: coretech@ptel.seed.net.tw

TEL: 03-4861211 FAX: 03-4861210



Lisa Tsai

2006/07/18 03:36 PM

收件人： Stacy Lee/Alphanetworks@Alphanetworks, Karl Chou/Alphanetworks@Alphanetworks, Basic Chen/Alphanetworks@Alphanetworks, Nina Liu/Alphanetworks@Alphanetworks, Yi-Ming Chen/Alphanetworks@Alphanetworks

副本抄送：

主旨： 尙亞資料移轉問題點 review meeting minutes

----- 轉呈者 Lisa Tsai/Alphanetworks 於 2006/07/18 03:35 PM -----



Gloria Tsai

2006/07/12 08:16 PM

收件人： ping@cellvision1.com.tw, chl@cellvision1.com.tw, Mike Wang/Alphanetworks@Alphanetworks, Terence Hwang/Alphanetworks@Alphanetworks, Carrier Fan/Alphanetworks@Alphanetworks, Ann Hou/Alphanetworks@Alphanetworks, Lisa Tsai/Alphanetworks@Alphanetworks, Judy Lin/Alphanetworks@Alphanetworks

副本抄送： Christine Tsung/Alphanetworks@Alphanetworks, Elise Wu/Alphanetworks@Alphanetworks, Kevin.c Chang/Alphanetworks@Alphanetworks, Easy Hsu/Alphanetworks@Alphanetworks

主旨： 尙亞資料移轉問題點 review meeting minutes

Dear all,

Subject： 尙亞資料移轉問題點 review meeting minutes

Time： July 12, PM 4:00

Attendee： Cellvision -- Ping Chen, Ch Lin

Alpha -- Mike Wang, Ann Hou, Lisa Tsai, Terence Huang, Judy Lin, Carrier Fan, Gloria

Tsai

Conclusion：

1. 電子件申請 by 廠商申請, 有資料 (原尙亞承認書) 先入 DCC. 缺資料者做記錄, 再依廠商別委請尙亞人員追/補資料
2. 電子件補資料請在 8/15前完成
3. 尙亞提供電子零件 sample (大樣:2pcs, 小樣:20pcs) 及照片. (7/14尙亞回覆何時可提供)
4. 尙亞提供機構包材零件各5pcs sample (7/14尙亞回覆何時可提供)
5. 機構包材件尙亞確認是否已承認. (7/14提供清單)
6. 機構包材件補資料請在 8/15前完成
7. 尙亞廠內製的 label (屬耗材者) 需提供 Label SOP (最好有 Sample), 以便明泰是否有相同料或重新申請料號

CE 電子件	
問題點	Action (先申請料號, 資料再後補)
SGS Report 過期	先以原尙亞資料入DCC, 再後補
缺I/R Profile	先以原尙亞資料入DCC, 再後補
零件單重	ok(原承認書即有資料)
零件耐溫	缺資料時, 先暫放"100"
廠商/代理商資料	缺Vendor code時, 先暫放"99996"
未能提供SGS Report者需提供"宣告書"	先以原尙亞資料入DCC, 再後補
符合排除條款者需"自我宣告書"	先以原尙亞資料入DCC, 再後補
均質物質成份及重量	先以原尙亞資料入DCC, 再後補
零件規格書(IC類要有Marking)	須齊全
安規零件需附安規資料(整份測試Report)	先以原尙亞資料入DCC, 再後補

機構/PM 件	
問題點	Action
SGS Report 過期	先以原尙亞資料入DCC, 再後補
未能提供SGS Report者需提供"宣告書"	尙亞後補資料
符合排除條款者需"自我宣告書"	尙亞後補資料
零件單重	先以原尙亞資料入DCC, 再後補
均質物質成份及重量	先以原尙亞資料入DCC, 再後補
各零件材質證明	尙亞後補資料
機構原始檔及PDF檔	先以原尙亞資料入DCC, 再後補

Thanks!

Best Regards,
 Gloria Tsai
 Alpha Networks Inc.
 TEL: 886-3-5636666 ext.6450
 FAX: 886-3-5678124
 E-mail: gloria_tsai@alphanetworks.com

Alpha PN : 505960079510G

零組件品名 : ANT CABLE Mini1.13 L=150mm



REFERENCE ONLY