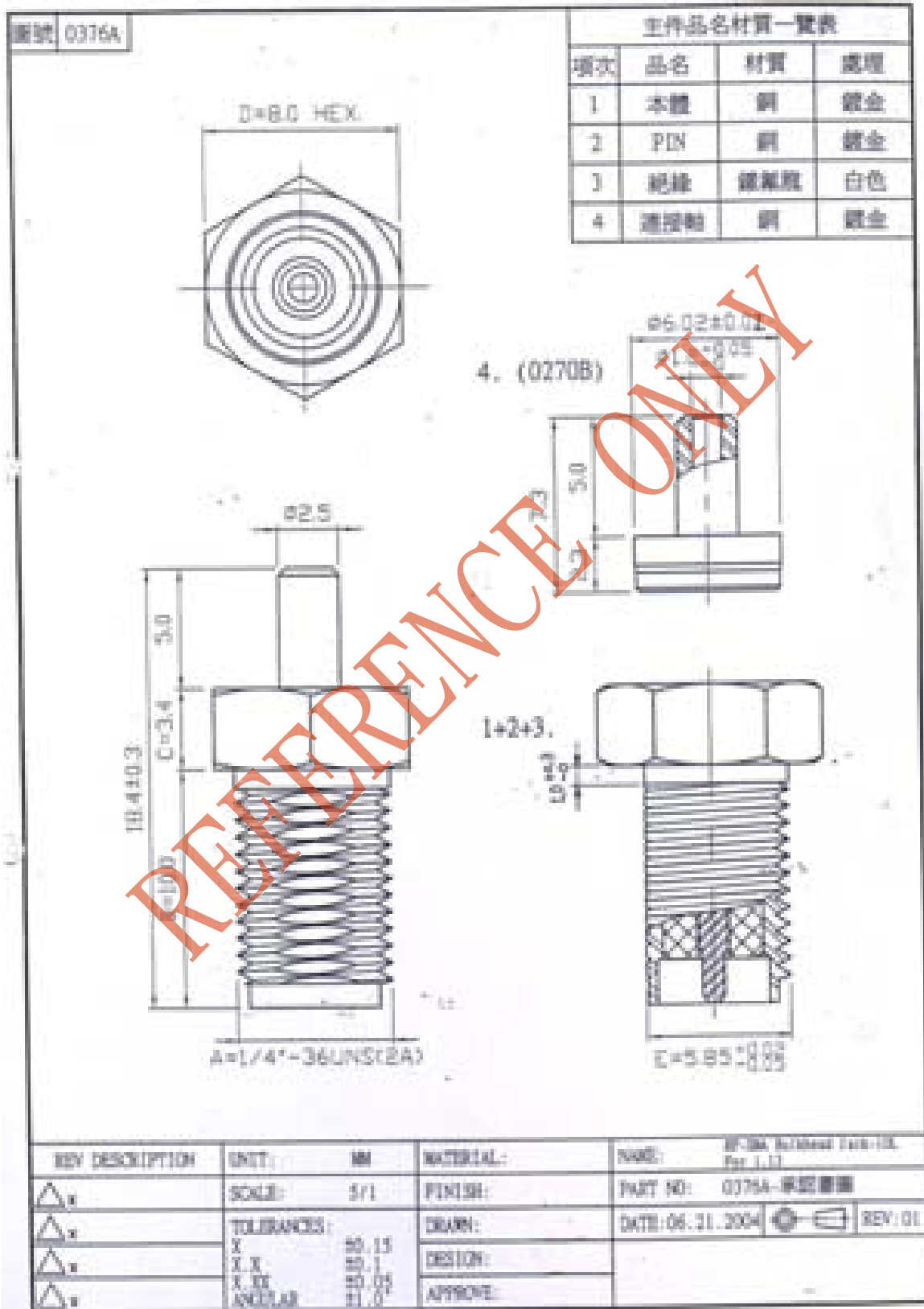


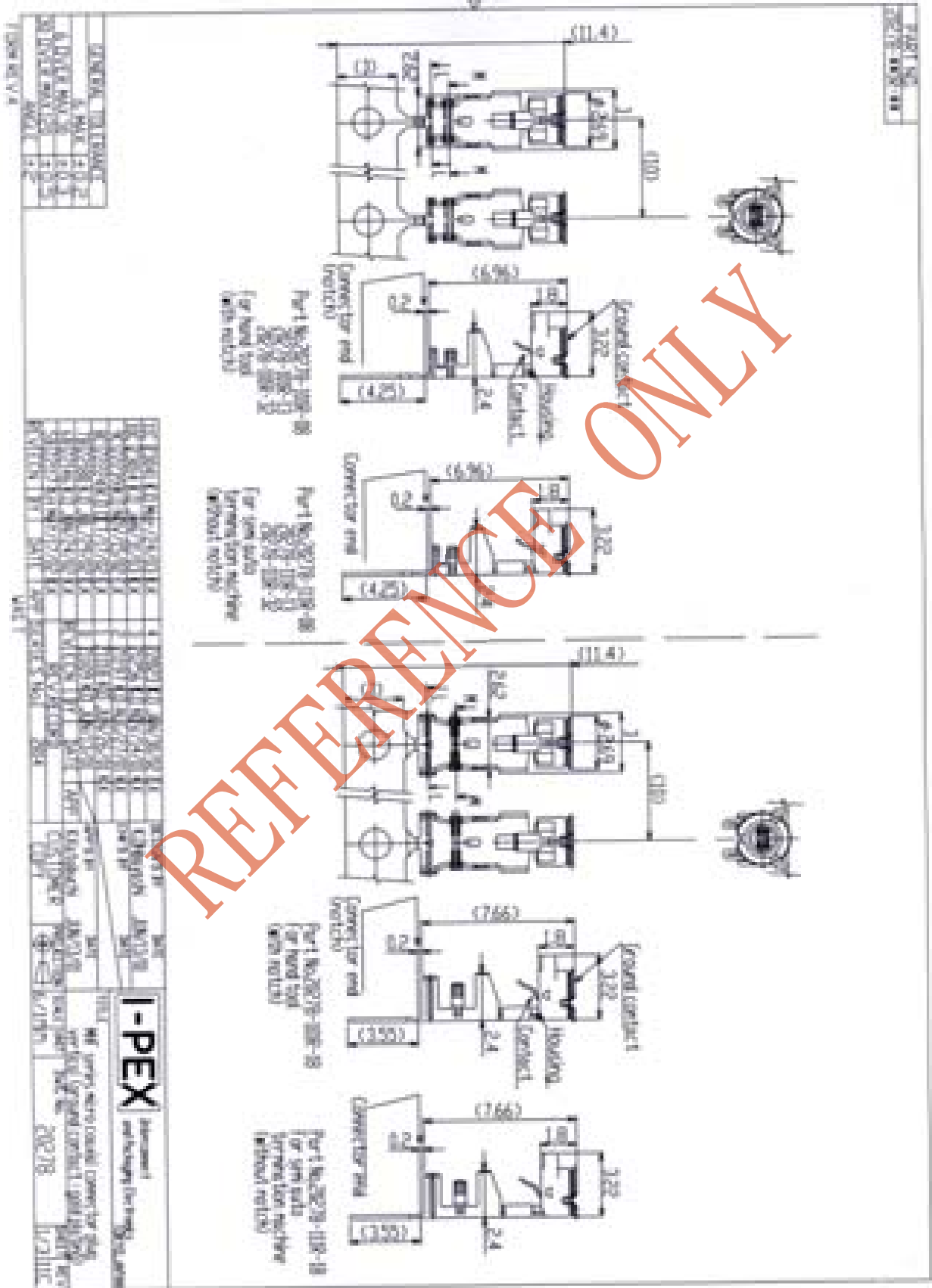
Material Data Sheet

RP-SMA Bulkhead Jack



Material Data Sheet

MHF Connector



REFERENCE ONLY

Part No.	2029-008-01 2029-008-01	2029-008-11 2029-008-11	2029-008-21 2029-008-21	2029-008-31 2029-008-31
Applicable cable nominal dimension	2.09±0.1 1.25±0.1 10.16±0.1	2.09±0.1 1.25±0.1 10.16±0.1	2.09±0.1 1.25±0.1 10.16±0.1	2.09±0.1 1.25±0.1 10.16±0.1
Crimp Height	DH-1 DH-2 DH-3	DH-1 DH-2 DH-3	DH-1 DH-2 DH-3	DH-1 DH-2 DH-3

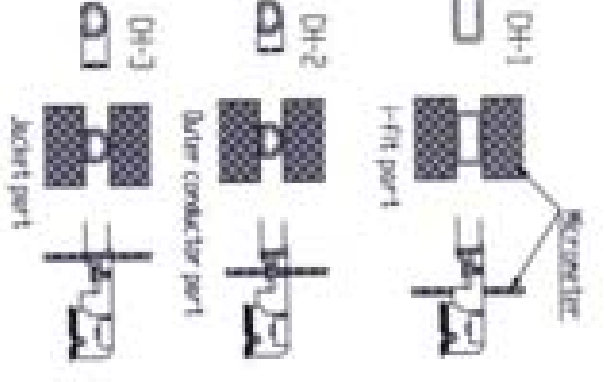
REFERENCE ONLY

GENERAL INFORMATION	REV. 001
DATE	01/11/2011
BY	001
APP. BY	001
DATE	01/11/2011
REV. 002	
DATE	01/11/2011
BY	001
APP. BY	001
DATE	01/11/2011

REV. 001	DATE	01/11/2011	BY	001	APP. BY	001
REV. 002	DATE	01/11/2011	BY	001	APP. BY	001
REV. 003	DATE	01/11/2011	BY	001	APP. BY	001
REV. 004	DATE	01/11/2011	BY	001	APP. BY	001
REV. 005	DATE	01/11/2011	BY	001	APP. BY	001
REV. 006	DATE	01/11/2011	BY	001	APP. BY	001
REV. 007	DATE	01/11/2011	BY	001	APP. BY	001
REV. 008	DATE	01/11/2011	BY	001	APP. BY	001
REV. 009	DATE	01/11/2011	BY	001	APP. BY	001
REV. 010	DATE	01/11/2011	BY	001	APP. BY	001

I-PEX Manufacturing and Technology Solutions

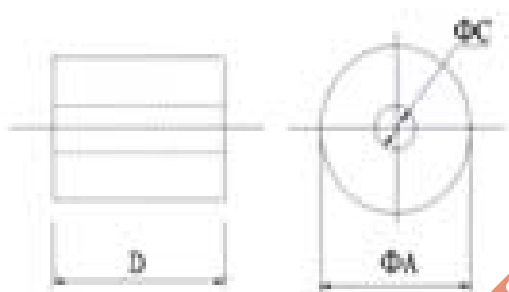
Crimp Height



Material Data Sheet

EMI Sleeve Core

SPECIFICATION FOR APPROVAL

CUSTOMER: 萬地電業股份有限公司		DESIGN: _____	DATE: 2003/10/9
ITEM: KSA EMI 412X10		REF NO: 10-13-040020100-0	
(1) DIMENSION (Unit: mm)		A	4.00 \pm 0.20 mm
		C	2.00 \pm 0.15 mm
		D	10.00 \pm 0.40 mm
(2) ELECTRICAL REQUIREMENTS:			
		REMARK:	
Z	35 \pm 0	TEST FREQ	25 kHz
Z	60 \pm 0	TEST FREQ	100 kHz
COIL DATA	Q _{min} L _{min}	TEST FREQ	
Finding 0.45 ϕ \times 43 mm T.C.W 1 TS			
(3) TEST INSTRUMENTS			
1. IMPEDANCE ANALYZER: HP4191A			
DRAWN	CHECKED	APPROVED	ISSUE NO.
DATE	DATE	DATE	WC-00-029

佳真股份有限公司
CORE-TECH CORPORATION

TEL: 03-4861211
FAX: 03-4861210

INSPECTION DATA

ISSUE NO: WC-RH-039

CUSTOMER	萬地電業股份有限公司		DATE	2003/10/9	Quantity	0	pcs						
PART NO.	10-13-040020100-0												
ITEM	K5A RH 4X2X10												
COIL SPEC	0.65 Φ X 63 mm T.C.W I TS												
COIL DATA	QD=	CO=						(PF)					
TEST FREQ	FO=	Hz						Ft= 25,100 MHz					
TEMPERATURE	28 °C	Humidity	87 %										
ELECTRIC CHARG.				DIMENSION (Unit: mm)									
	L	Q	Z(25)	Z(100)	A	B	C	D	E	F	G	H	I
SP			35.00	60.00	4.00		2.00	18.00					
+					0.20		0.15	0.40					
-			0	0	0.20		0.15	0.40					
1			45.00	82.00	3.98		2.02	9.95					
2			47.00	84.00	3.90		2.03	9.98					
3			46.00	82.00	3.92		2.09	9.96					
4			47.00	82.00	3.91		2.03	9.98					
5			45.00	81.00	3.93		2.08	9.96					
6			46.00	80.00	3.93		2.05	10.00					
7			46.00	81.00	3.95		2.03	10.02					
8			45.00	81.00	3.93		2.07	9.95					
9			46.00	80.00	3.92		2.09	9.93					
10			45.00	82.00	3.98		2.05	9.97					
X			45.00	81.50	3.94		2.05	9.97					
R			2.00	4.00	0.05		0.07	0.09					
TEST INSTRUMENTS				INSP No:									
1. IMPEDANCE ANALYZER: HP4191A													
REMARK:				Inspected	Checked	Approved							

CORE-TECH CORPORATION

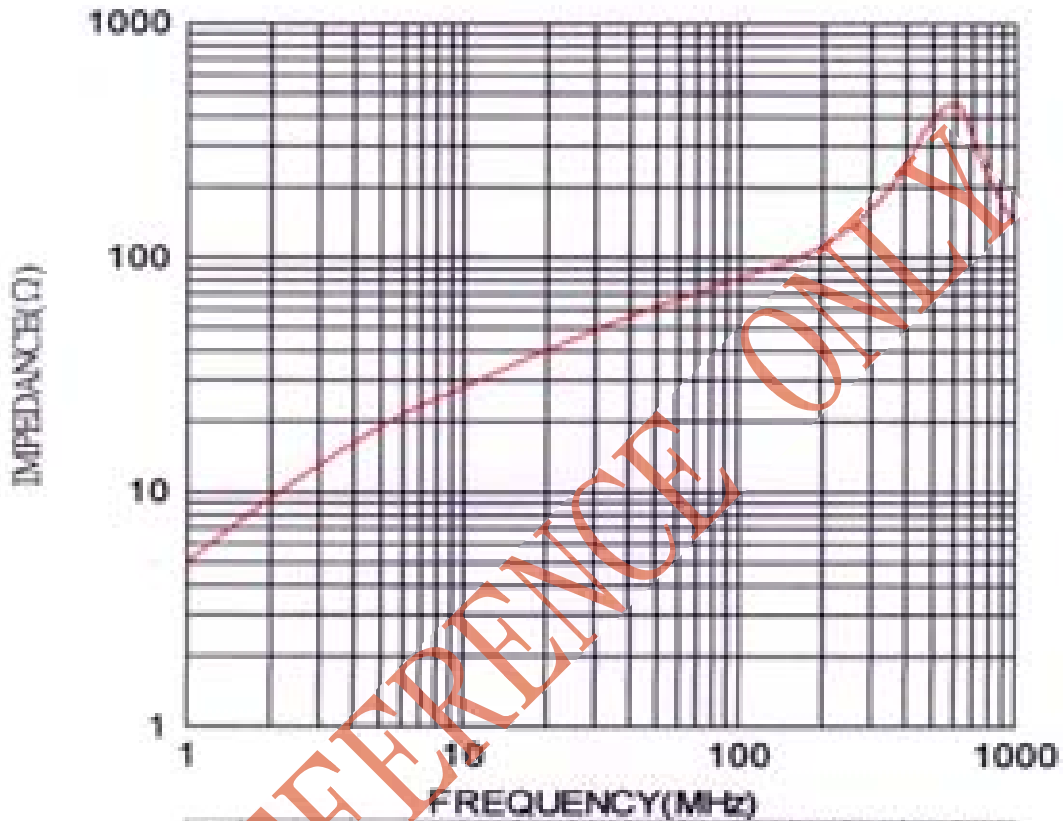
TEL: 83-4861210
FAX: 83-4861210

Z-F RESPONSE

K5A RH 4X2X10

1. TEST INSTRUMENT: HP4191A

2. WINDING: 0.85ΦX83 ■ T.C. ▽ ITS



	1	5	10	25	50	100	200	300	400	500	600	700	800	900	1000
Z	5	12	20	45	62	82	113	160	244	392	462	322	229	176	141

(DATA BETWEEN 500MHz AND 1000MHz ARE FOR REFERENCE ONLY)

CORE-TECH CORPORATION

<http://www.coretechweb.com.tw>

E-mail: coretech@tpsl.seed.net.tw

TEL: 03-4861211 FAX: 03-4861210



Lisa Tsai

2006/07/18 03:36 PM

收件人： Stacy Lee/Alphanetworks@Alphanetworks, Karl Chou/Alphanetworks@Alphanetworks, Basic Chen/Alphanetworks@Alphanetworks, Nina Liu/Alphanetworks@Alphanetworks, Yi-Ming Chen/Alphanetworks@Alphanetworks

副本抄送：

主旨： 尙亞資料移轉問題點 review meeting minutes

----- 轉呈者 Lisa Tsai/Alphanetworks 於 2006/07/18 03:35 PM -----



Gloria Tsai

2006/07/12 08:16 PM

收件人： ping@cellvision1.com.tw, chl@cellvision1.com.tw, Mike Wang/Alphanetworks@Alphanetworks, Terence Hwang/Alphanetworks@Alphanetworks, Carrier Fan/Alphanetworks@Alphanetworks, Ann Hou/Alphanetworks@Alphanetworks, Lisa Tsai/Alphanetworks@Alphanetworks, Judy Lin/Alphanetworks@Alphanetworks

副本抄送： Christine Tsung/Alphanetworks@Alphanetworks, Elise Wu/Alphanetworks@Alphanetworks, Kevin.c Chang/Alphanetworks@Alphanetworks, Easy Hsu/Alphanetworks@Alphanetworks

主旨： 尙亞資料移轉問題點 review meeting minutes

Dear all,

Subject： 尙亞資料移轉問題點 review meeting minutes

Time： July 12, PM 4:00

Attendee： Cellvision -- Ping Chen, Ch Lin

Alpha -- Mike Wang, Ann Hou, Lisa Tsai, Terence Huang, Judy Lin, Carrier Fan, Gloria

Tsai

Conclusion：

1. 電子件申請 by 廠商申請, 有資料 (原尙亞承認書) 先入 DCC. 缺資料者做記錄, 再依廠商別委請尙亞人員追/補資料
2. 電子件補資料請在 8/15前完成
3. 尙亞提供電子零件 sample (大樣:2pcs, 小樣:20pcs) 及照片. (7/14尙亞回覆何時可提供)
4. 尙亞提供機構包材零件各5pcs sample (7/14尙亞回覆何時可提供)
5. 機構包材件尙亞確認是否已承認. (7/14提供清單)
6. 機構包材件補資料請在 8/15前完成
7. 尙亞廠內製的 label (屬耗材者) 需提供 Label SOP (最好有 Sample), 以便明泰是否有相同料或重新申請料號

CE 電子件	
問題點	Action (先申請料號, 資料再後補)
SGS Report 過期	先以原尙亞資料入DCC, 再後補
缺I/R Profile	先以原尙亞資料入DCC, 再後補
零件單重	ok(原承認書即有資料)
零件耐溫	缺資料時, 先暫放"100"
廠商/代理商資料	缺Vendor code時, 先暫放"99996"
未能提供SGS Report者需提供"宣告書"	先以原尙亞資料入DCC, 再後補
符合排除條款者需"自我宣告書"	先以原尙亞資料入DCC, 再後補
均質物質成份及重量	先以原尙亞資料入DCC, 再後補
零件規格書(IC類要有Marking)	須齊全
安規零件需附安規資料(整份測試Report)	先以原尙亞資料入DCC, 再後補

機構/PM 件	
問題點	Action
SGS Report 過期	先以原尙亞資料入DCC, 再後補
未能提供SGS Report者需提供"宣告書"	尙亞後補資料
符合排除條款者需"自我宣告書"	尙亞後補資料
零件單重	先以原尙亞資料入DCC, 再後補
均質物質成份及重量	先以原尙亞資料入DCC, 再後補
各零件材質證明	尙亞後補資料
機構原始檔及PDF檔	先以原尙亞資料入DCC, 再後補

Thanks!

Best Regards,
 Gloria Tsai
 Alpha Networks Inc.
 TEL: 886-3-5636666 ext.6450
 FAX: 886-3-5678124
 E-mail: gloria_tsai@alphanetworks.com

Alpha PN : 505960079510G

零組件品名 : ANT CABLE Mini1.13 L=150mm



REFERENCE ONLY

零組件承認/申請報告書

編號 E24682

2007/8/27

Alpha P/N : 505960079610G	申請者 :	主管 :
零組件品名 : ANT CABLE Mini 1.13 L=80mm		
原製造廠商 : 電	原廠編號 : THW0796A	
代理商 : 電		
聯絡人 :	電話 : 02-22988066	
應用機種 :		
COMMENTS :		
結果		
號		
主管 :	<input type="checkbox"/> 承辦者 :	Panton No: 日期 : // : :
結果	合格	審核 // : :

承 認 書
SPECIFICATION FOR APPROVAL

客 戶 CUSTOMER	明泰科技股份有限公司
日 期 DATE	2006 / 08 / 09
品 名 DESCRIPTION	Mini 1.13 Cable Assembly (L=80)(K5A) With RP-SMA Bulkhead Jack & MHF
客 戶 料 號 CUSTOMER P/N	505960079610G
成 品 編 號 Part NO.	THW0796A (符合環保材)



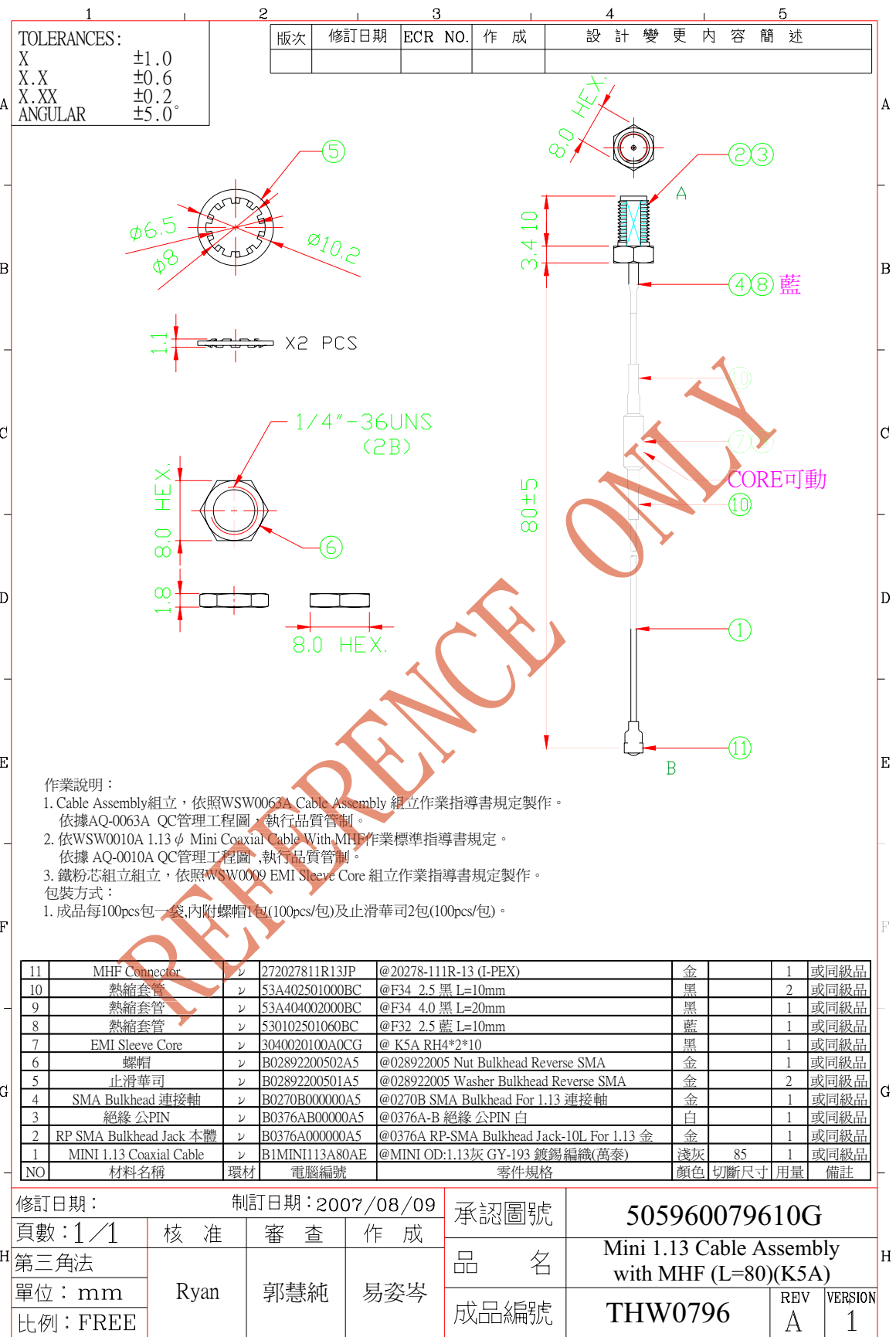
萬旭電業股份有限公司
WANSHIH ELECTRONIC CO., LTD.
台北縣五股鄉五工六路 72 號 3 樓
3F 72 WU KONG 6TH RD., WU KU INDUSTRIAL DISTRICT
TAIPEI HSIEN, TAIWAN, R.O.C.
TEL : (02) 22988066 (5 LINE) FAX : (02)22981102

Table of Contents

Table of Contents	1
Specification	2
Drawing	3
Cable Assembly Electrical Characteristic	
Return Loss	4
V.S.W.R	5
Attenuation	6
Material Sheet	
Mini 1.13 Coaxial Cable	7-9
RP-SMA Bulkhead Jack	10
MHF Connector	11-14
EMI Sleeve Core	15-17

SPECIFICATION

1. Description : Mini 1.13 Cable Assembly
with RP-SMA Bulkhead Jack & MHF
2. Customer : 明泰科技股份有限公司
3. Part No. : THW0796A
4. Coaxial Length : 80 mm (see Drawing)
5. Electrical Characteristics
 - Operating Frequency : 1~6 GHz
 - Impedance : 50 Ohm nominal
 - Attenuation. : -2.0dB Max.
6. Mechanical Characteristics
 - Connector : RP-SMA Bulkhead Jack
: MHF
7. Raw Material
 - Coaxial Cable : Mini 1.13
 - Core : K5A RH4*10*2



TOLERANCES:

X	±1.0
X.X	±0.6
X.XX	±0.2
ANGULAR	±5.0°

版次	修訂日期	ECR NO.	作成	設計變更內容簡述

作業說明:

- Cable Assembly組立，依照WSW0063A Cable Assembly組立作業指導書規定製作。
依據AQ-0063A QC管理工程圖，執行品質管制。
- 依WSW0010A 1.13 φ Mini Coaxial Cable With MHF作業標準指導書規定。
依據AQ-0010A QC管理工程圖，執行品質管制。
- 鐵粉芯組立組立，依照WSW0009 EMI Sleeve Core組立作業指導書規定製作。
包裝方式：
1. 成品每100pcs包一袋，內附螺帽1包(100pcs/包)及止滑華司2包(100pcs/包)。

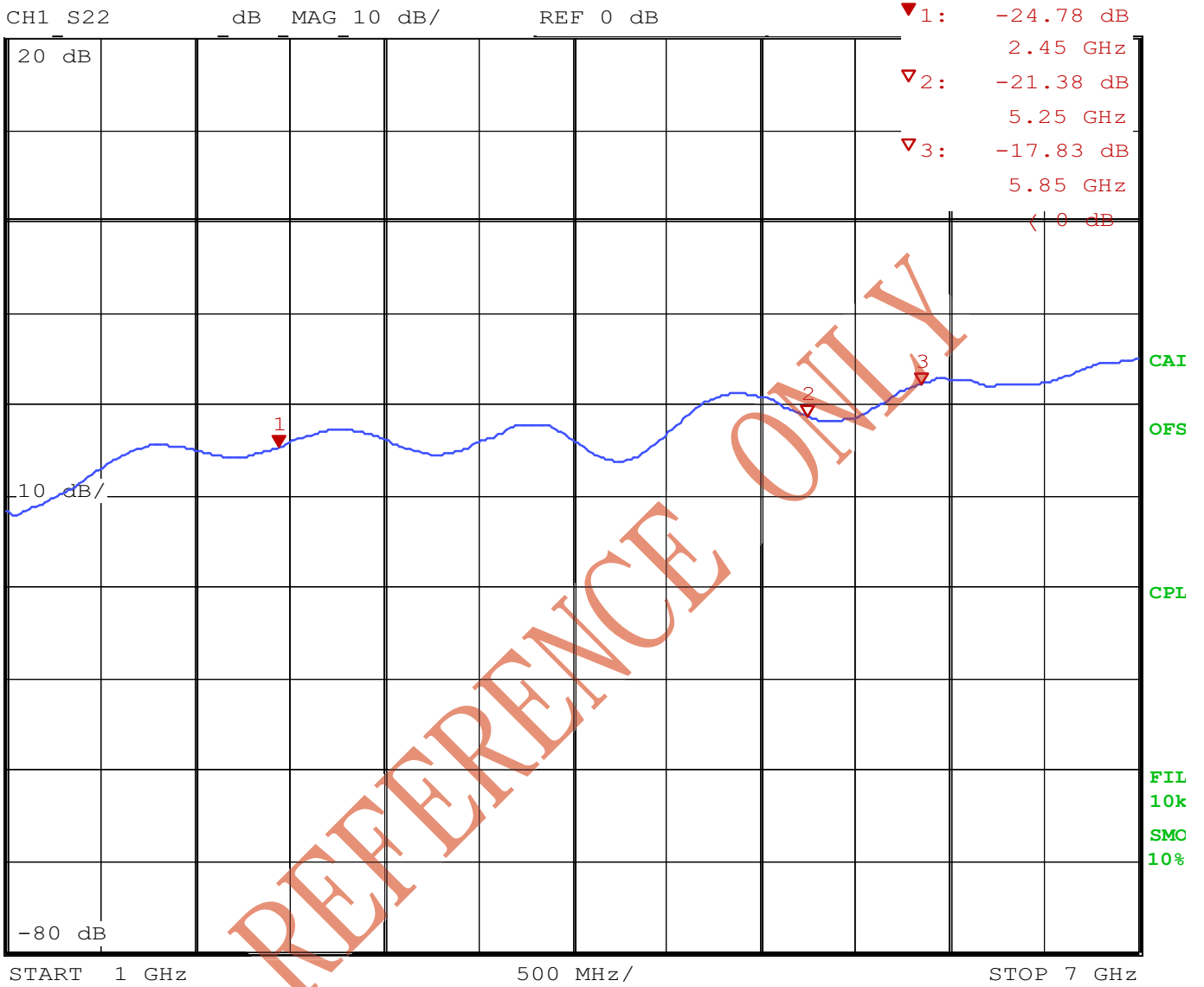
11	MHF Connector	272027811R13JP	@20278-111R-13 (I-PEX)	金	1	或同級品
10	熱縮套管	53A402501000BC	@F34 2.5 黑 L=10mm	黑	2	或同級品
9	熱縮套管	53A404002000BC	@F34 4.0 黑 L=20mm	黑	1	或同級品
8	熱縮套管	530102501060BC	@F32 2.5 藍 L=10mm	藍	1	或同級品
7	EMI Sleeve Core	3040020100A0CG	@ K5A RH4*2*10	黑	1	或同級品
6	螺帽	B02892200502A5	@028922005 Nut Bulkhead Reverse SMA	金	1	或同級品
5	止滑華司	B02892200501A5	@028922005 Washer Bulkhead Reverse SMA	金	2	或同級品
4	SMA Bulkhead 連接軸	B0270B000000A5	@0270B SMA Bulkhead For 1.13 連接軸	金	1	或同級品
3	絕緣 公PIN	B0376AB00000A5	@0376A-B 絕緣 公PIN 白	白	1	或同級品
2	RP SMA Bulkhead Jack 本體	B0376A000000A5	@0376A RP-SMA Bulkhead Jack-10L For 1.13 金	金	1	或同級品
1	MINI 1.13 Coaxial Cable	B1MINI113A80AE	@MINI OD:1.13灰 GY-193 鍍錫編織(萬泰)	淺灰	85	或同級品
NO	材料名稱	環材	電腦編號	零件規格	顏色	切斷尺寸 用量 備註

修訂日期:		制訂日期: 2007/08/09		承認圖號	505960079610G		
頁數: 1/1	核准	審查	作成	品名	Mini 1.13 Cable Assembly with MHF (L=80)(K5A)		
第三角法	Ryan	郭慧純	易姿岑		成品編號	THW0796	REV
單位: mm				A			1
比例: FREE							

萬旭電業股份有限公司 50文件編號: FMT-0513-D7

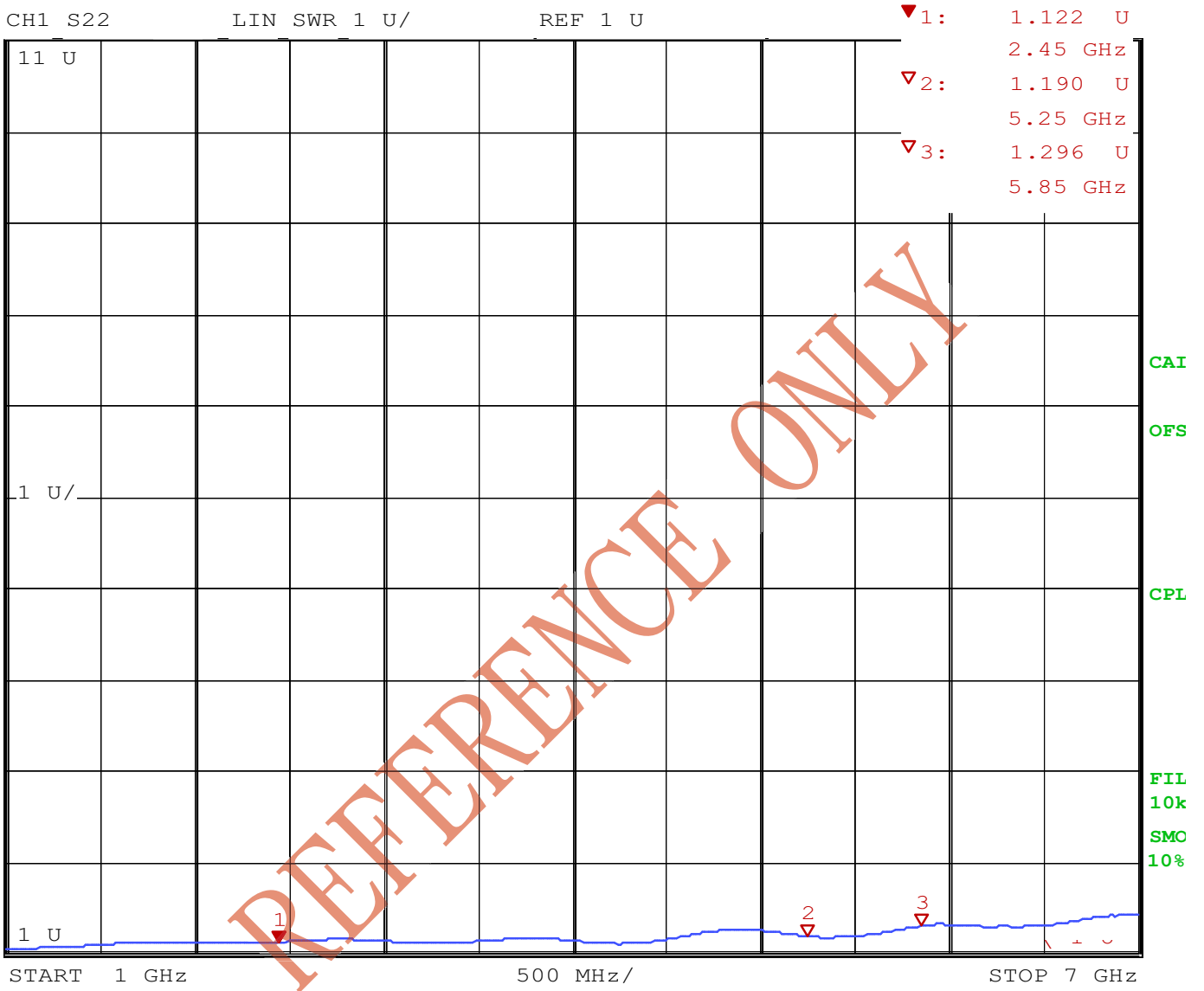
Electrical Characteristic

Return Loss



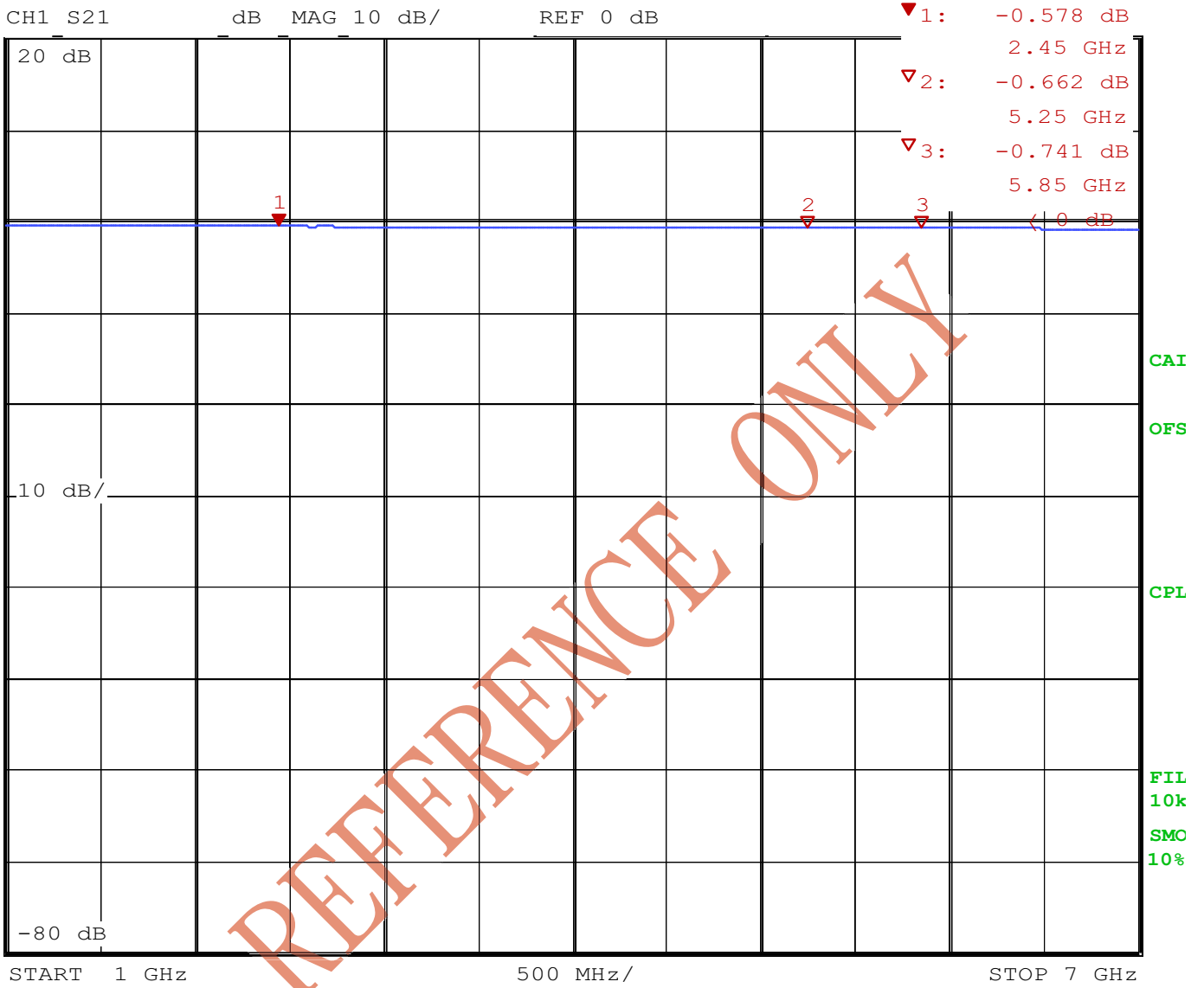
Electrical Characteristic

V.S.W.R



Electrical Characteristic

Attenuation



Material Data Sheet

Mini-1.13 Coaxial Cable

SPECIFICATION FOR APPROVAL

DOCUMENT: A3132TS001

STYLE : COAXIAL CABLE
105°C 30V

SIZE: 32AWG×1C
BRAID : TS

RECOGNIZED: UL 1979



WONDERFUL HI-TECH CO.,LTD.

OFFICE : 72WU KONG 6TH ROAD,
WU KU IND. DISTRICT
TAIPEI HSIEN,TAIWAN

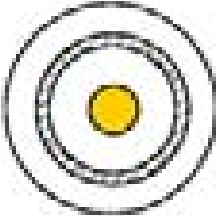
TEL : (02)22988033
FAX : (02)22988031-2

FACTORY : 17 PEI YUAN ROAD,
CHUNG-LI IND. PARK
TAIWAN, R.O.C.

TEL : (03)4527777
FAX : (03)4517214



**WONDERFUL HI-TECH CO., LTD.
SPECIFICATION**

STYLE	105°C 30V UL 1979	DOCUMENT NO :	A3132TS001
SIZE	32AWG	ESTABLISHED DATE:	2005/05/11
STANDARD :			
Conductor	Size	AWG	32
	Material	----	Silver Cover Copper
	Conductors No.	----	7
	Conductors Size	mm	0.080
	O.D.	mm	0.240
Insulation	Average Thickness	mm	0.22
	Diameter	mm	0.68 ± 0.02
	Material	----	FEP
	Color	----	Clear
Braid	Material	----	Tinned Copper
	Construction	mm	16 / 4 / 0.050
	Coverage	%	90
Jacket	Average Thickness	mm	0.13
	Diameter	mm	1.13 ± 0.05
	Material	----	FEP
	Color	----	According to custom
Marking	Non		
Drawing			

AK001/210X297/1.0

PAGE : 1

EDITION : 1.1

MAKER : C.Y.CHEN

CONFIRM : S.N.WONG

APPROVAL : W.J.WANG



WONDERFUL HI-TECH CO., LTD. SPECIFICATION

Electrical & Physical Properties					
Item		32AWG			
Rating Temp Voltage		105°C 30V			
Conductor Resistance		545 OHM/KM/20°C MAX.			
Insulation Resistance		1000 MEGA OHM/KM MIN.			
Dielectric Strength		AC 500 V/Minute			
Spark Test		2.5 KV			
Insulation	Unaged	Tensile Strength	2500 PSI MIN.(1.76 Kg / m m ²)		
		Elongation	200% MIN.		
	Aged	Tensile Strength	UNAGED MIN. 75%(168HRS×232°C)		
		Elongation	UNAGED MIN. 75%(168HRS×232°C)		
Jacket	Unaged	Tensile Strength	2500 PSI MIN.(1.76 Kg / m m ²)		
		Elongation	200% MIN.		
	Aged	Tensile Strength	UNAGED MIN.75%(168HRS×232°C)		
		Elongation	UNAGED MIN.75%(168HRS×232°C)		
Nom. Impedance		50 ± 3 Ohms			
Nom. Capacitance		96 ± 3 pF/m			
Nom. Vel. of Prop.		69%			
VSWR Test (0 – 6 GHZ)		Less 1.3			
Flame Test		VW-1 OK			
Attenuation (dB/1m)	2.0GHZ	2.4GHZ	2.5GHZ	5.0GHZ	6.0 GHZ
	2.80	3.10	3.15	4.85	5.20

AK001/210X297/1.0

PAGE : 2

EDITION : 1.1

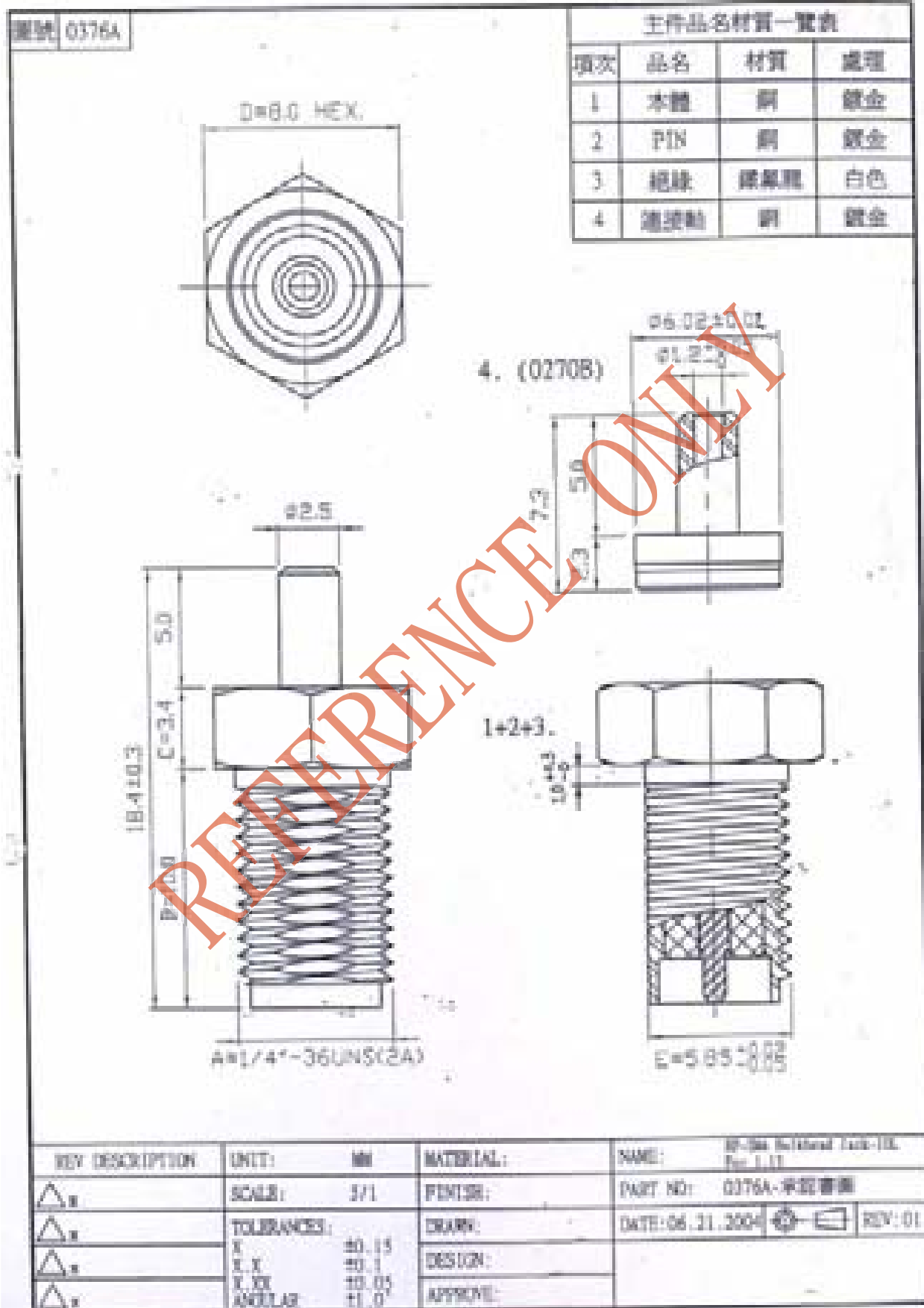
MAKER : C.Y.CHEN

CONFIRM :S.N.WONG

APPROVAL : W.J.WANG

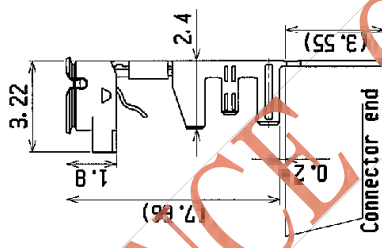
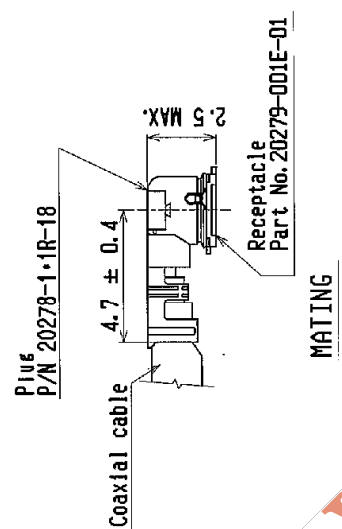
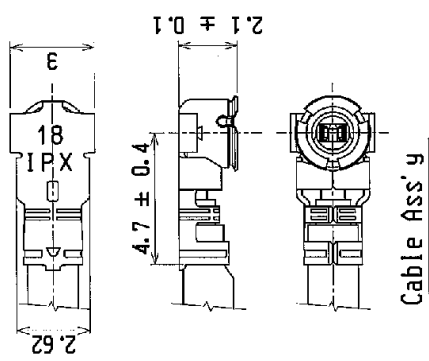
Material Data Sheet

RP-SMA Bulkhead Jack

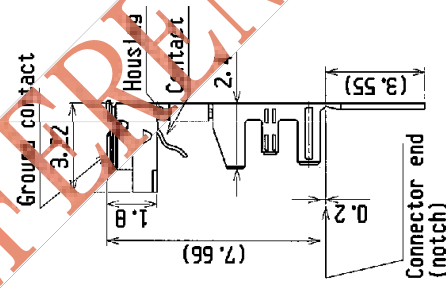


KEY DESCRIPTION	UNIT: mm	MATERIAL:	NAME: RP-SMA Bulkhead Jack-III, Rev. 1.1
△	SCALE: 3/1	FINISH:	PART NO: 0376A-零件圖
△	TOLERANCES:	DRAWN:	DATE: 06.31.2004
△	F ±0.15	DESIGN:	REV: 01
△	M ±0.1	APPROVE:	
△	K ±0.05		
△	ANGULAR ±1.0°		

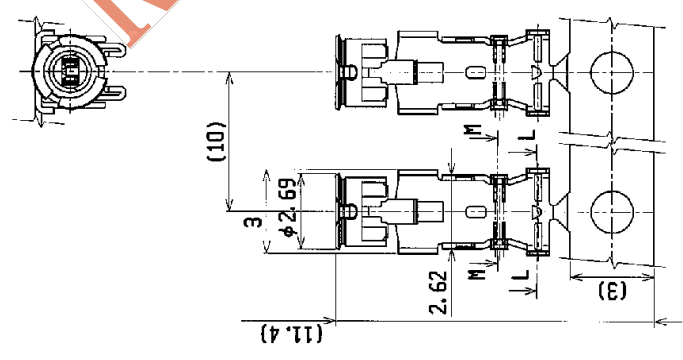
PART NO.
20278-11R-18



Part No. 21278-11R-18
For semi auto
termination machine
(without notch)



Part No. 20278-10R-18
For hand tool
(with notch)



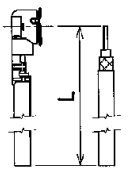
GENERAL TOLERANCE	
6 MAX.	±0.2
6 OVER MAX. 30	±0.3
30 OVER MAX. 120	±0.5
ANGLE	±

DESIGN'D BY		DATE	 Interconnect and Potassium Electroplating TOKYO, JAPAN		
CHK'D BY		DATE			
APP'D BY		DATE			
REV	ECN	BY	DATE	APP	TITLE
					MF series micro coaxial connector plug vertical (ground contact : gold plating)
REV. RECORD		PROJECTION		SCALE	UNIT
SERIES No. 2814		CUSTOMER COPY		8/1	MM
		DWS. No.		20278	SHEET REV.
		COPY			2/4 17C

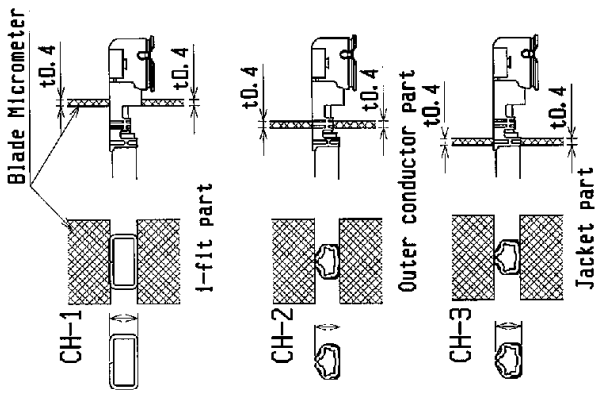
FORM REV. 4
WAS T

Part No.	20278-101R-08 20278-111R-08	20278-101R-13 20278-111R-13	20278-101R-32 20278-111R-32	20278-101R-18 20278-111R-18
Housing color	White	Black	Black	White
Applicable cable nominal dimension	2.09±0.1 1.25±0.1 1.16±0.1	2.09±0.1 1.25±0.1 1.16±0.1	2.09±0.1 1.25±0.1 1.16±0.1	2.09±0.1 1.25±0.1 1.16±0.1
Jacket	Outer conductor silver plating Dielectric core Inner conductor silver plating	Outer conductor silver plating Dielectric core Inner conductor silver plating	Outer conductor silver plating Dielectric core Inner conductor silver plating	Outer conductor silver plating Dielectric core Inner conductor silver plating
	φ0.81 Nominal φ0.4 Nominal φ0.55 φ0.4 Nominal φ0.55	φ1.13 Nominal φ0.68 Nominal φ0.93 φ0.68 Nominal φ0.93	φ1.32 Nominal φ0.66 Nominal φ1.12 φ0.66 Nominal φ1.12	φ1.8 Nominal φ0.84 Nominal φ1.35 φ0.84 Nominal φ1.35
	AMK35(7/0.5)	AMK32(7/0.8)	AMK32(7/0.8)	AMK30(7/0.102)
	* NOTE-1	* NOTE-1	* NOTE-1	* NOTE-1
Braided shield of Outer conductor 外部導体の編組	Single / 1重編組	Single / 1重編組	Double / 2重編組	Single / 1重編組
P/N of hand Tool	90187-008C	90187-018C	90187-032C	90233-018
P/N of seal auto termination machine	90213-008C	90212-018C	90213-032C	90232-018
Sect. M-M	1.68	2.24	2.29	2.71
Sect. L-L	1.19	1.48	1.56	3.1
Crimp Height	CH-1 1.34~1.40 CH-2 0.76~0.84 CH-3 0.85~0.97	1.34~1.40 1.06~1.14 1.15~1.35	1.34~1.40 1.20~1.30 1.26~1.46	1.34~1.40 1.41~1.49 1.70~1.80

Cable cut length



Crimp Height



NOTE-1

中心導体、外部導体への半田コティングは不可
Must not use solder coated
inner conductor and outer conductor.

GENERAL TOLERANCE

6 MAX.	±0.2
6 OVER MAX. 30	±0.3
30 OVER MAX. 120	±0.5
ANGLE	±2°

DESIGN'D BY		DATE
CHK'D BY		DATE
APP'D BY		DATE
REV. ECN	BY	DATE
REV. RECORD	APP	
SERIES No.	2814	
CUSTOMER	COPY	
PROJECTION		



Interconnect
and Pasternak Electronics
TOKYO, JAPAN

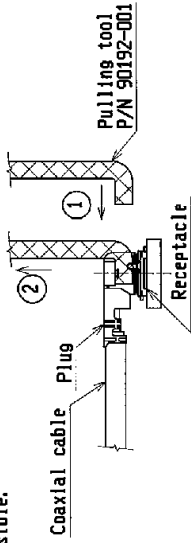
TITLE MIF series micro coaxial connector plus vertical (ground contact : gold plating)
SCALE UNIT DIM. No. 20278
SHEET REV. 9/4 17C

WAS T

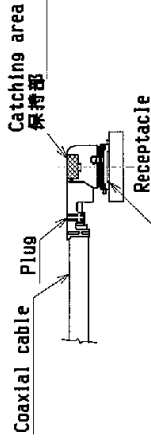
FORM REV. 4

5-2 Unmating. 5-2 コネクタ抜き

(1) In case of unmating by pulling tool.
Please use the pulling tool as the following drawing, and please pull plug to vertical direction as directly as possible.



(2) In case of unmating directly by hand
Please catch the catching area of plug, and please pull plug to vertical direction as directly as possible.



5-3 Crimp over standards of outer conductor
Standards: Less than 10% from total numbers of outer conductor
Crimp over from outer conductor's barrel

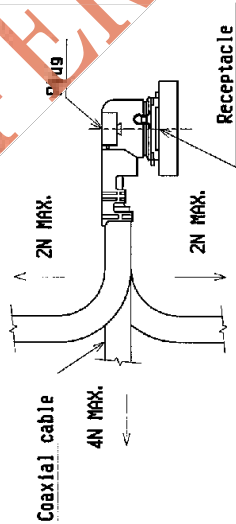
5-3 外部導体はみだし量
外部導体はみだし量測定 : 外部導体トータル本数の10%以下 (外部導体ハレルの外にみだし量)

5-4 熱収縮チューブについて
熱収縮チューブで外部導体保護の場合は、熱収縮の原因になりませんので、熱によるハウジングを溶融させないよう注意してください。

5. このコネクタは Pb-free である

Notes
1. Material
(1) Housing : PBT, UL94V-0
(2) Contact
phosphor bronze
gold plating 0.1μm MIN.
over nickel 1.27μm MIN.
(3) Ground contact
phosphor bronze
gold plating 0.05μm MIN.
over nickel 1.27μm MIN.
2. Packing : reel
3. Mating partner part No. : 20279-001E-01
4. Permissible load of cable at mating

1. 材料
(1)ハウジング : PBT, UL94V-0
(2)コンタクト
リン青銅 0.1μm MIN.
下層 ニッケル1.27μm MIN.
(3)グラウンドコンタクト
リン青銅
金メッキ0.05μm MIN.
下層 ニッケル1.27μm MIN.
2. 梱包 : リール
3. カルガ合相手 : 20279-001E-01
4. コネクタの許容負荷



5. Suggestions for mating & unmating operation.

5-1 Mating.
Please mate the connector straightly to vertical direction as much as possible, adjusting the mating axis of plug and receptacle.
As excessive slant angle mating may break the connector, please don't do it.

5. コネクタの挿入時
5-1 コネクタ挿入時
PlugとReceptacleの中心を合わせ、できるだけ垂直に挿入して下さい。コネクタの挿入角度が大きすぎると、コネクタの破損の原因となりますので、過度な斜角挿入は行わないで下さい。

5-4 Caution about Heat shrinkage tubes
Please be careful not to melt housing when using heat shrinkage tubes. It will become cause of open circuit.

6. This is 'Pb-free' connector.

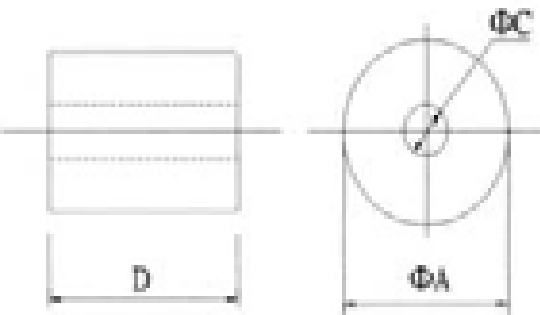
DESIGN D BY		DATE	I-PEX Interconnect and Packaging Electronics TOKYO, JAPAN	
CHK D BY		DATE	TITLE MHF series micro coaxial connector plug vertical (ground contact : gold plating)	
APP D BY		DATE	SCALE UNIT 20278	
REV	ECN	BY	DATE	APP
REV. RECORD		CUSTOMER COPY		WORK. No. 20278
SERIES No. 2814		PROJECTION		SHEET REV. 4/4 17C
FORM REV. 4		WAS T		

GENERAL TOLERANCE	
6 MAX.	±0.2
6 OVER MAX. 30	±0.3
30 OVER MAX. 120	±0.5
ANGLE	±2'

Material Data Sheet

EMI Sleeve Core

SPECIFICATION FOR APPROVAL

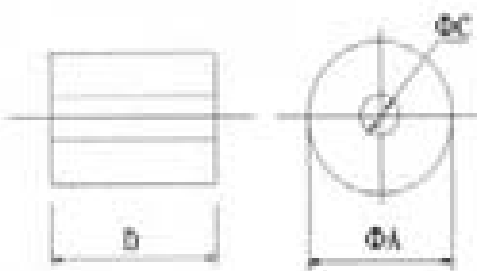


CUSTOMER: 萬旭電業股份有限公司		CUS'S P/N:		DATE: 2003/10/9	
ITEM: K5A RH 4X2X10		REF NO:10-13-040020100-0			
(1) DIMENSION (Unit: mm)					
		A	4.00	+ - 0.20	mm
				+ -	mm
		C	2.00	+ - 0.15	mm
		D	10.00	+ - 0.40	mm
				+ -	mm
				+ -	mm
				+ -	mm
				+ -	mm
				+ -	mm
				+ -	mm
(2) ELECTRICAL REQUIREMENTS:					
		TEST FREQ:			
		TEST FREQ:			
Z	35	- 0	Ω	TEST FREQ	25 MHz
Z	60	- 0	Ω	TEST FREQ	100 MHz
		TEST FREQ:			
COIL DATA	Q _{min}			TEST FREQ	
	L _{min}				
Winding 0.45 Φ X 43 mm T.C.W 1 TS					
(3) TEST INSTRUMENTS:					
1. IMPEDANCE ANALYZER: HP4191A					
DRAWN	CHECKED	APPROVED	ISSUE NO.		
DATE	DATE	DATE	WC-RH-039		

佳真股份有限公司
CORE-TECH CORPORATION

TEL: 03-4891211
FAX: 03-4891210

INSPECTION DATA

ISSUE NO: WC-RB-030

CUSTOMER	萬地電業股份有限公司	DATE	2003/10/9	Quantity	0 pcs								
PART NO.	10-13-040020100-0												
ITEM	KSA RH 4X2X10												
COIL SPEC	0.65 Φ X 63 mm T.C.W I TS												
COIL DATA	QD- CO- (PF)												
TEST FREQ	F0- Hz Ft- 25,100 MHz												
TEMPERATURE	28 °C Humidity 87 %												
ELECTRIC CHARC.			DIMENSION(Unit:mm)										
	L	Q	Z(25)	Z(100)	A	B	C	D	E	F	G	H	I
SP			35.00	60.00	4.00		2.00	10.00					
+					0.20		0.15	0.40					
-			0	0	0.20		0.15	0.40					
1			45.00	82.00	3.96		2.02	9.95					
2			47.00	84.00	3.93		2.03	9.97					
3			46.00	82.00	3.92		2.04	9.98					
4			47.00	82.00	3.91		2.03	9.98					
5			45.00	81.00	3.95		2.08	9.98					
6			46.00	82.00	3.93		2.05	10.00					
7			66.00	81.00	3.72		2.03	10.02					
8			45.00	81.00	3.93		2.07	9.95					
9			46.00	82.00	3.92		2.09	9.93					
10			45.00	82.00	3.96		2.05	9.97					
X			45.90	81.50	3.94		2.05	9.97					
R			2.00	4.00	0.05		0.07	0.09					
TEST INSTRUMENTS						INSP No:							
1. IMPEDANCE ANALYZER: HP4191A													
REMARK:						Inspected	Checked	Approved					
													

CORE-TECH CORPORATION

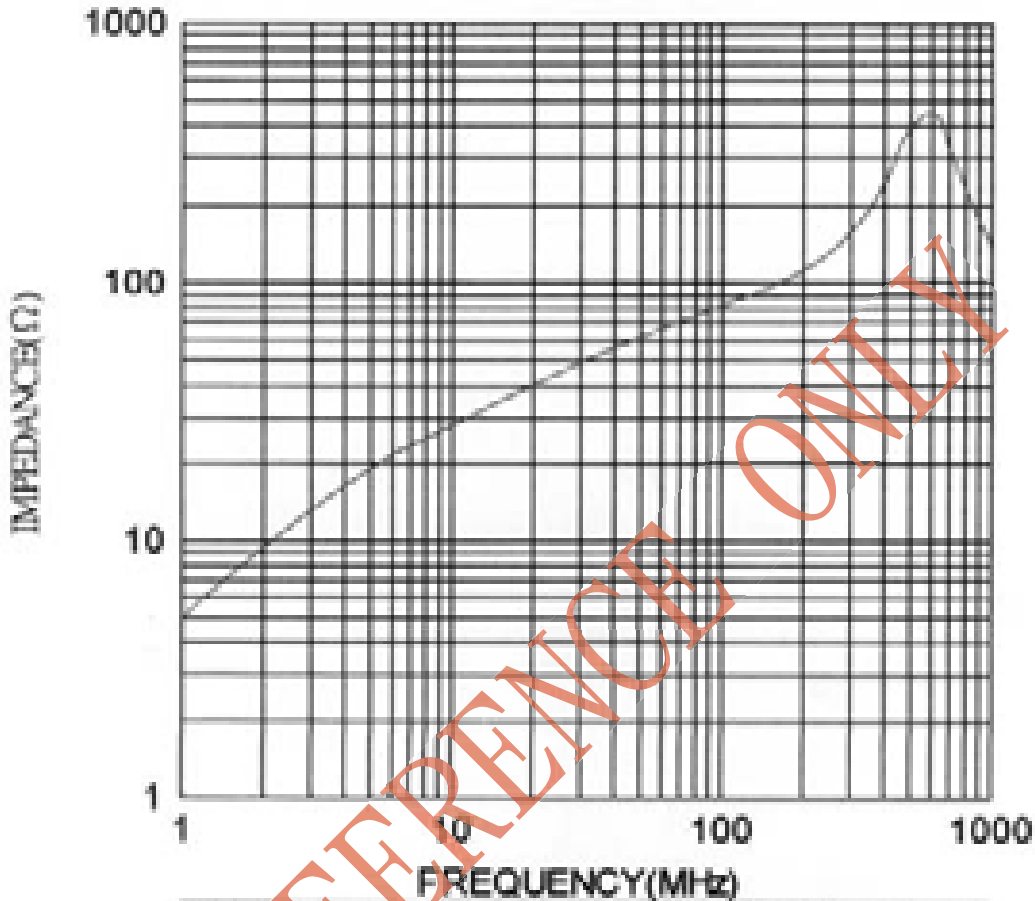
TEL: 83-4861210

Z-F RESPONSE

K5A RH 4X2X10

1. TEST INSTRUMENT: HP4191A

2. WINDING: 0.65 ϕ X63 mm T.C. W ITS



	1	5	10	25	50	100	200	300	400	500	600	700	800	900	1000
Z—	5	15	20	45	62	82	113	160	244	392	452	322	229	176	141

(DATA BETWEEN 500MHz AND 1000MHz ARE FOR REFERENCE ONLY)

CORE-TECH CORPORATION

<http://www.coretechweb.com.tw>
 E-mail: coretech@tpsl.seed.net.tw
 TEL: 03-4861211 FAX: 03-4861210