

承 認 書
SPECIFICATION FOR APPROVAL

客 戶
CUSTOMER 明泰科技股份有限公司

日 期
DATE 2006 / 08 / 09

品 名
DESCRIPTION Mini 1.13 Cable Assembly (L=80)(K5A)
With RP-SMA Bulkhead Jack & MHF

客 戶 料 號
CUSTOMER P/N 505960079610G

成 品 編 號
Part NO. THW0796A
(符合環保材)



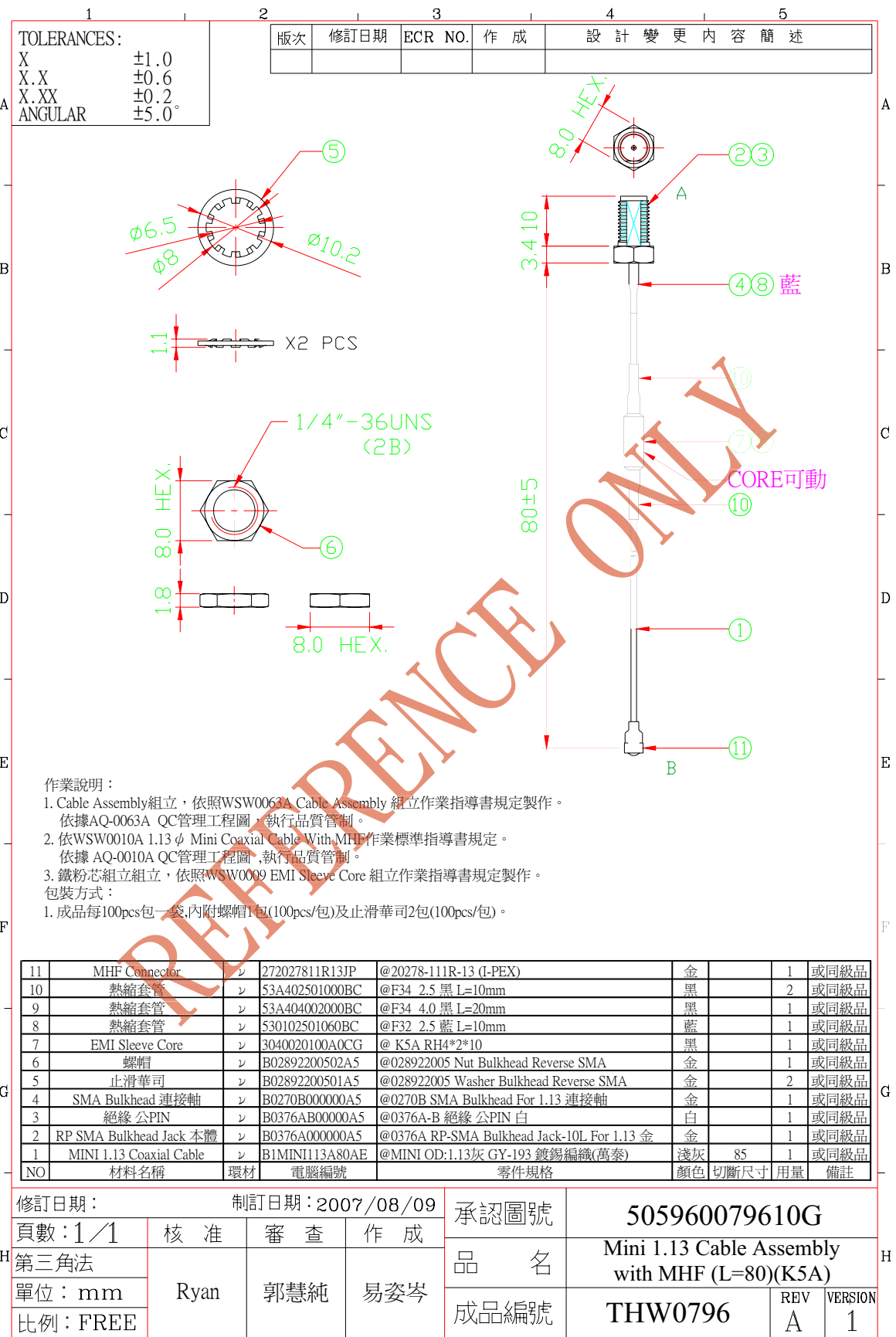
萬旭電業股份有限公司
WANSHIH ELECTRONIC CO., LTD.
台北縣五股鄉五工六路 72 號 3 樓
3F 72 WU KONG 6TH RD., WU KU INDUSTRIAL DISTRICT
TAIPEI HSIEN, TAIWAN, R.O.C.
TEL : (02) 22988066 (5 LINE) FAX : (02)22981102

Table of Contents

Table of Contents	1
Specification	2
Drawing	3
Cable Assembly Electrical Characteristic	
Return Loss	4
V.S.W.R	5
Attenuation	6
Material Sheet	
Mini 1.13 Coaxial Cable	7-9
RP-SMA Bulkhead Jack	10
MHF Connector	11-14
EMI Sleeve Core	15-17

SPECIFICATION

1. Description : Mini 1.13 Cable Assembly
with RP-SMA Bulkhead Jack & MHF
2. Customer : 明泰科技股份有限公司
3. Part No. : THW0796A
4. Coaxial Length : 80 mm (see Drawing)
5. Electrical Characteristics
 - Operating Frequency : 1~6 GHz
 - Impedance : 50 Ohm nominal
 - Attenuation. : -2.0dB Max.
6. Mechanical Characteristics
 - Connector : RP-SMA Bulkhead Jack
: MHF
7. Raw Material
 - Coaxial Cable : Mini 1.13
 - Core : K5A RH4*10*2



TOLERANCES:

X	±1.0
X.X	±0.6
X.XX	±0.2
ANGULAR	±5.0°

版次	修訂日期	ECR NO.	作成	設計變更內容簡述

作業說明：
 1. Cable Assembly組立，依照WSW0063A Cable Assembly組立作業指導書規定製作。
 依據AQ-0063A QC管理工程圖，執行品質管制。
 2. 依WSW0010A 1.13 φ Mini Coaxial Cable With MHF作業標準指導書規定。
 依據AQ-0010A QC管理工程圖，執行品質管制。
 3. 鐵粉芯組立組立，依照WSW0009 EMI Sleeve Core組立作業指導書規定製作。
 包裝方式：
 1. 成品每100pcs包一袋，內附螺帽1包(100pcs/包)及止滑華司2包(100pcs/包)。

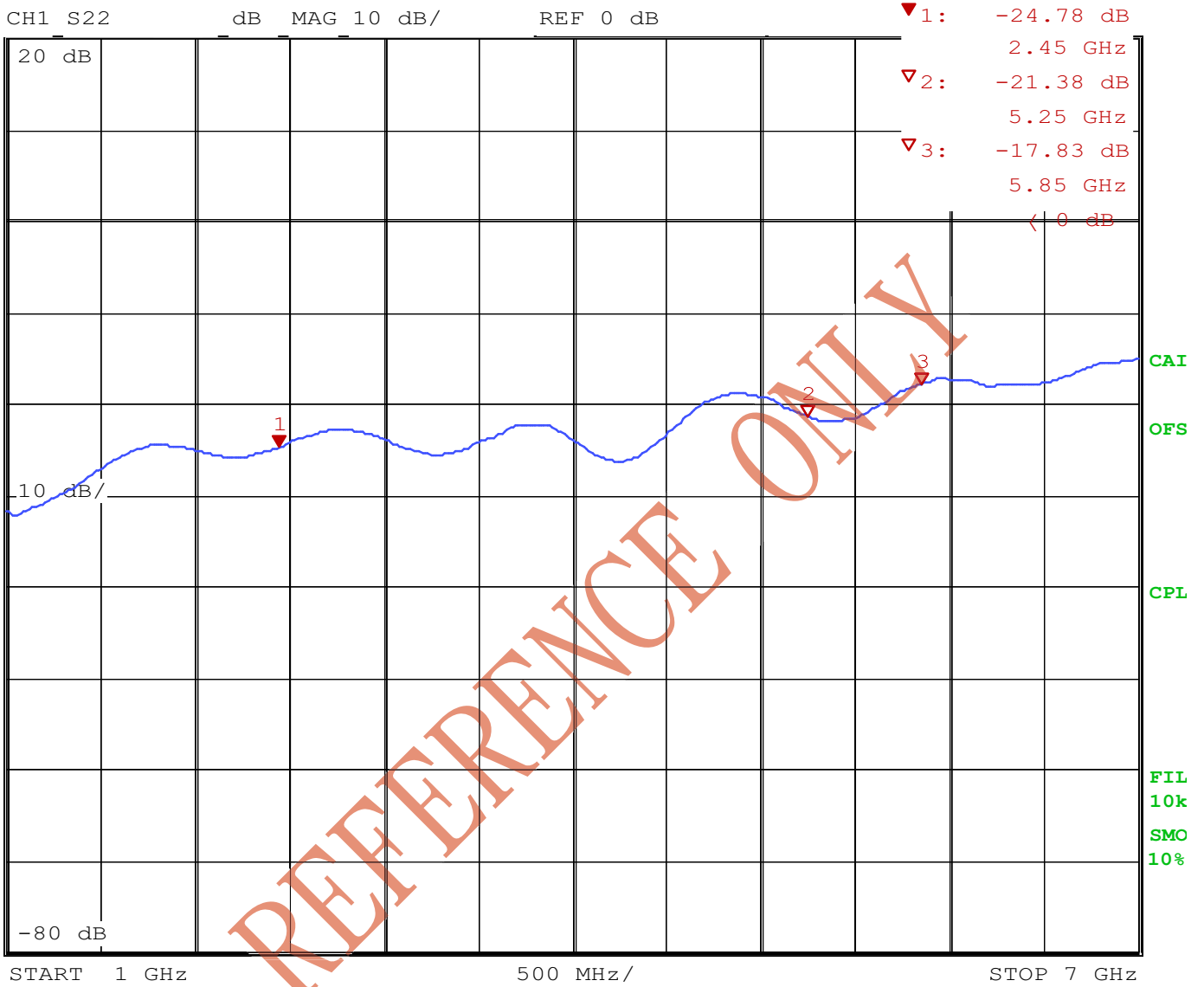
NO	材料名稱	環材	電腦編號	零件規格	顏色	切斷尺寸	用量	備註
11	MHF Connector	√	272027811R13JP	@20278-111R-13 (I-PEX)	金		1	或同級品
10	熱縮套管	√	53A402501000BC	@F34 2.5 黑 L=10mm	黑		2	或同級品
9	熱縮套管	√	53A404002000BC	@F34 4.0 黑 L=20mm	黑		1	或同級品
8	熱縮套管	√	530102501060BC	@F32 2.5 藍 L=10mm	藍		1	或同級品
7	EMI Sleeve Core	√	3040020100A0CG	@ K5A RH4*2*10	黑		1	或同級品
6	螺帽	√	B02892200502A5	@028922005 Nut Bulkhead Reverse SMA	金		1	或同級品
5	止滑華司	√	B02892200501A5	@028922005 Washer Bulkhead Reverse SMA	金		2	或同級品
4	SMA Bulkhead 連接軸	√	B0270B000000A5	@0270B SMA Bulkhead For 1.13 連接軸	金		1	或同級品
3	絕緣 公PIN	√	B0376AB00000A5	@0376A-B 絕緣 公PIN 白	白		1	或同級品
2	RP SMA Bulkhead Jack 本體	√	B0376A000000A5	@0376A RP-SMA Bulkhead Jack-10L For 1.13 金	金		1	或同級品
1	MINI 1.13 Coaxial Cable	√	B1MINI113A80AE	@MINI OD:1.13灰 GY-193 鍍錫編織(萬泰)	淺灰	85	1	或同級品

修訂日期：		制訂日期：2007/08/09		承認圖號	505960079610G		
頁數：1/1	核准	審查	作成	品名	Mini 1.13 Cable Assembly with MHF (L=80)(K5A)		
第三角法	Ryan	郭慧純	易姿岑		成品編號	THW0796	REV
單位：mm				A			1
比例：FREE							

萬旭電業股份有限公司 50文件編號：FMT-0513-D7

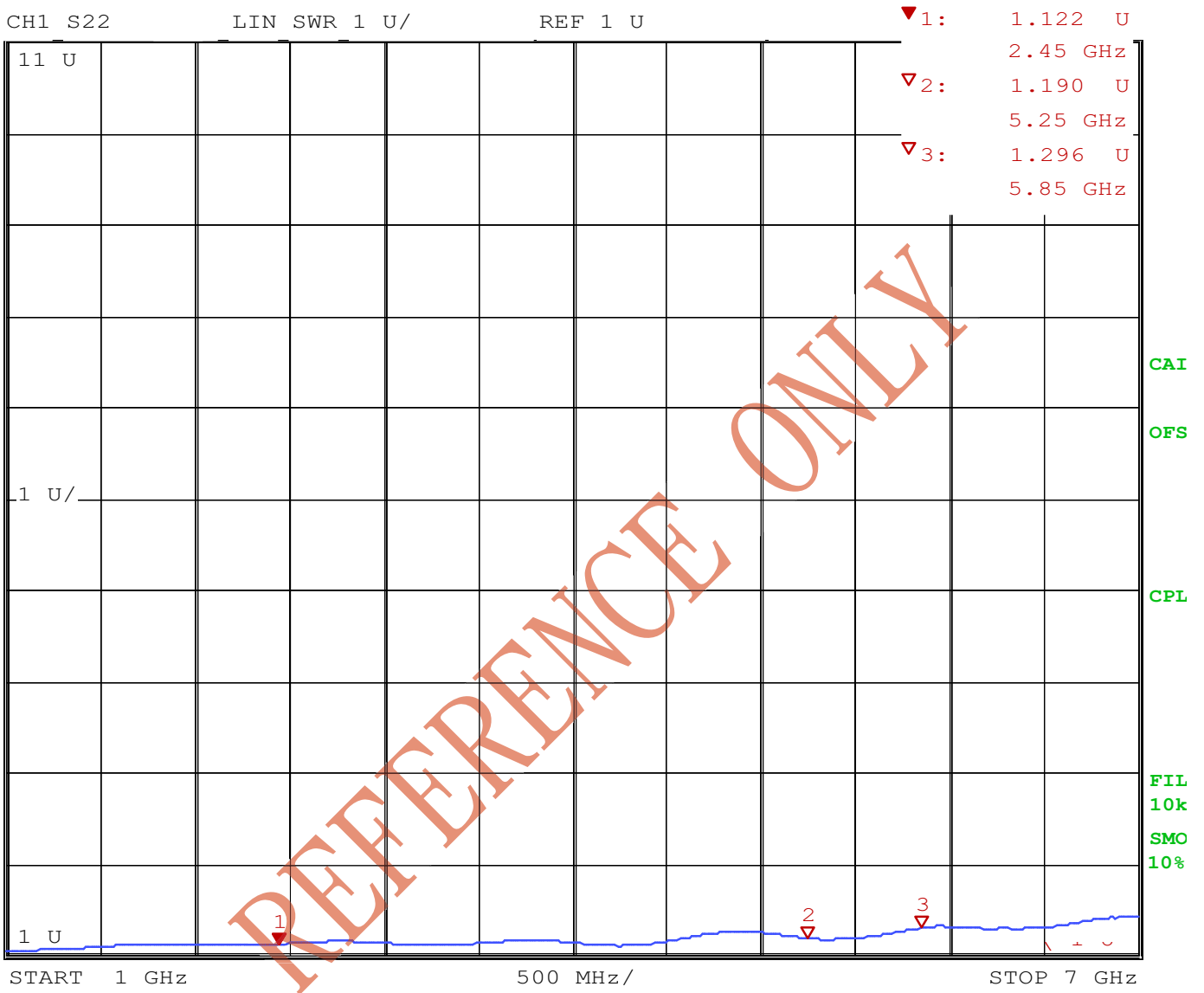
Electrical Characteristic

Return Loss



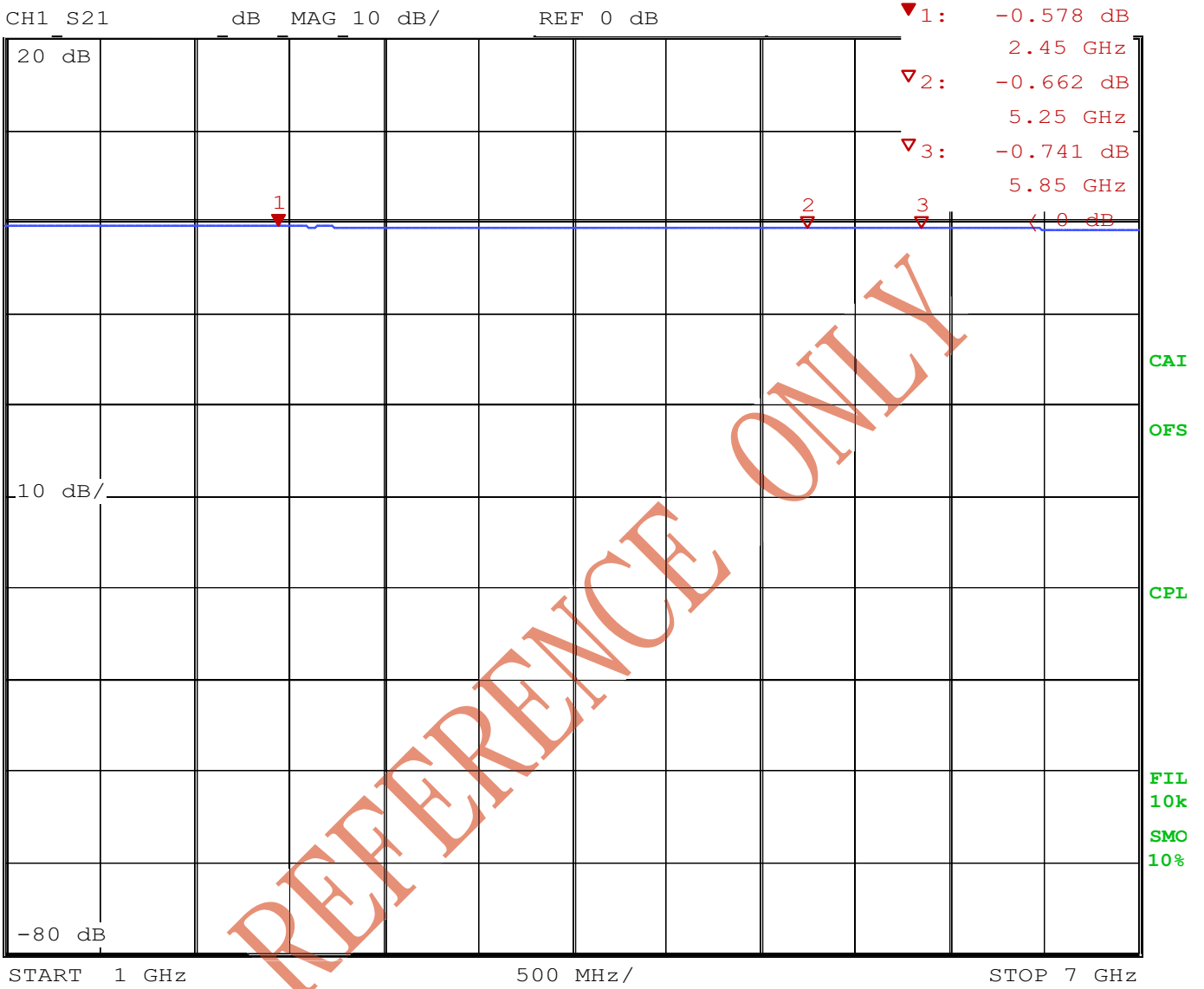
Electrical Characteristic

V.S.W.R



Electrical Characteristic

Attenuation



Material Data Sheet

Mini-1.13 Coaxial Cable

SPECIFICATION FOR APPROVAL

DOCUMENT: A3132TS001

STYLE : COAXIAL CABLE
105°C 30V

SIZE: 32AWG×1C
BRAID : TS

RECOGNIZED: UL 1979



WONDERFUL HI-TECH CO.,LTD.

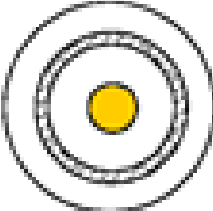
OFFICE : 72WU KONG 6TH ROAD,
WU KU IND. DISTRICT
TAIPEI HSIEN,TAIWAN

TEL : (02)22988033
FAX : (02)22988031-2

FACTORY : 17 PEI YUAN ROAD,
CHUNG-LI IND. PARK
TAIWAN, R.O.C.

TEL : (03)4527777
FAX : (03)4517214

WONDERFUL HI-TECH CO., LTD.
SPECIFICATION

STYLE	105°C 30V UL 1979	DOCUMENT NO : A3132TS001	
SIZE	32AWG	ESTABLISHED DATE: 2005/05/11	
STANDARD :			
Conductor	Size	AWG	32
	Material	----	Silver Cover Copper
	Conductors No.	----	7
	Conductors Size	mm	0.080
	O.D.	mm	0.240
Insulation	Average Thickness	mm	0.22
	Diameter	mm	0.68 ± 0.02
	Material	----	FEP
	Color	----	Clear
Braid	Material	----	Tinned Copper
	Construction	mm	16 / 4 / 0.050
	Coverage	%	90
Jacket	Average Thickness	mm	0.13
	Diameter	mm	1.13 ± 0.05
	Material	----	FEP
	Color	----	According to custom
Marking	Non		
Drawing			

AK001/210X297/1.0

PAGE : 1

EDITION : 1.1

MAKER : C.Y.CHEN

CONFIRM : S.N.WONG

APPROVAL : W.J.WANG



WONDERFUL HI-TECH CO., LTD. SPECIFICATION

Electrical & Physical Properties					
Item		32AWG			
Rating Temp Voltage		105°C 30V			
Conductor Resistance		545 OHM/KM/20°C MAX.			
Insulation Resistance		1000 MEGA OHM/KM MIN.			
Dielectric Strength		AC 500 V/Minute			
Spark Test		2.5 KV			
Insulation	Unaged	Tensile Strength	2500 PSI MIN.(1.76 Kg / m m ²)		
		Elongation	200% MIN.		
	Aged	Tensile Strength	UNAGED MIN. 75%(168HRS×232°C)		
		Elongation	UNAGED MIN. 75%(168HRS×232°C)		
Jacket	Unaged	Tensile Strength	2500 PSI MIN.(1.76 Kg / m m ²)		
		Elongation	200% MIN.		
	Aged	Tensile Strength	UNAGED MIN.75%(168HRS×232°C)		
		Elongation	UNAGED MIN.75%(168HRS×232°C)		
Nom. Impedance		50 ± 3 Ohms			
Nom. Capacitance		96 ± 3 pF/m			
Nom. Vel. of Prop.		69%			
VSWR Test (0 – 6 GHZ)		Less 1.3			
Flame Test		VW-1 OK			
Attenuation (dB/1m)	2.0GHZ	2.4GHZ	2.5GHZ	5.0GHZ	6.0 GHZ
	2.80	3.10	3.15	4.85	5.20

AK001/210X297/1.0

PAGE : 2

EDITION : 1.1

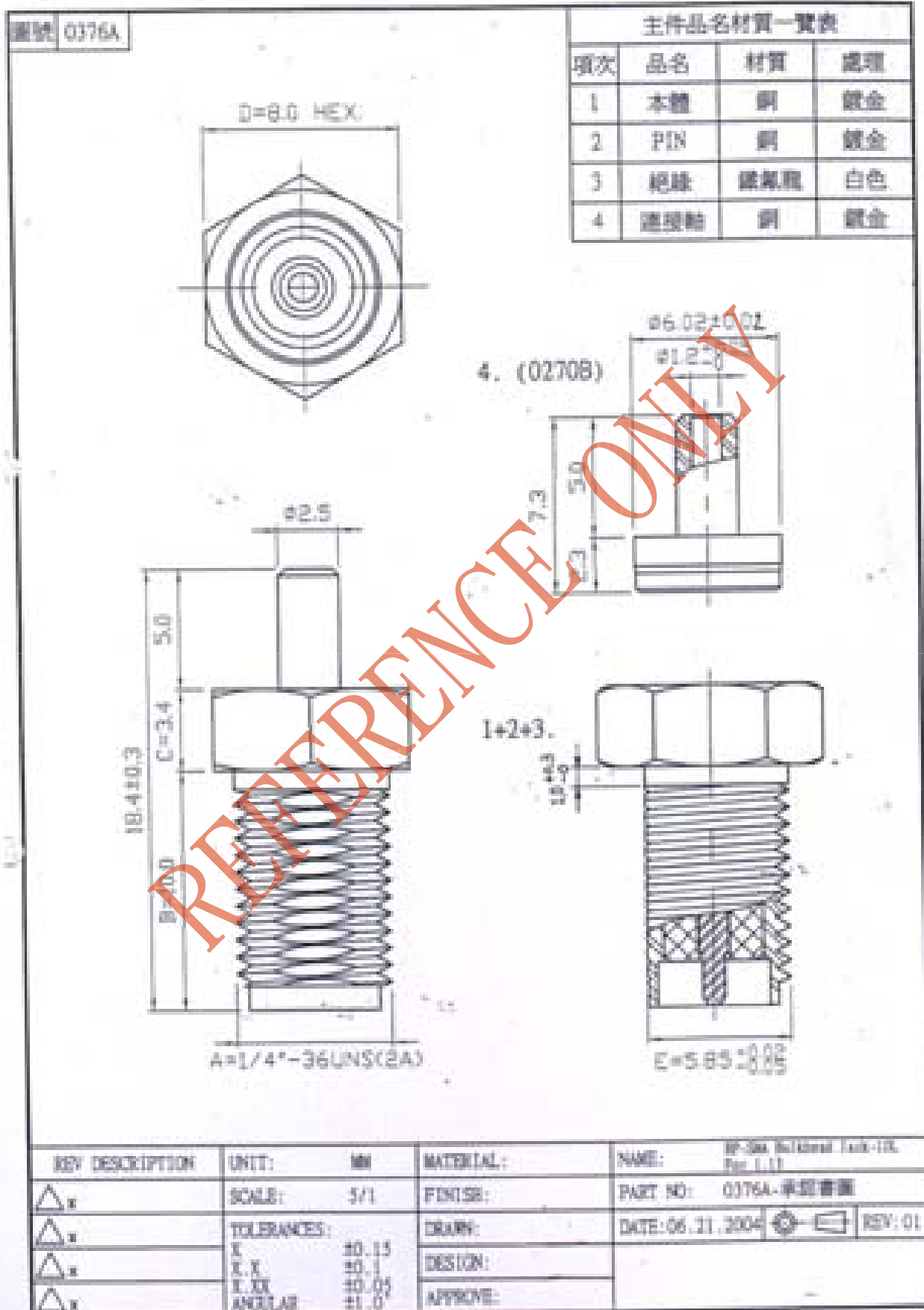
MAKER : C.Y.CHEN

CONFIRM :S.N.WONG

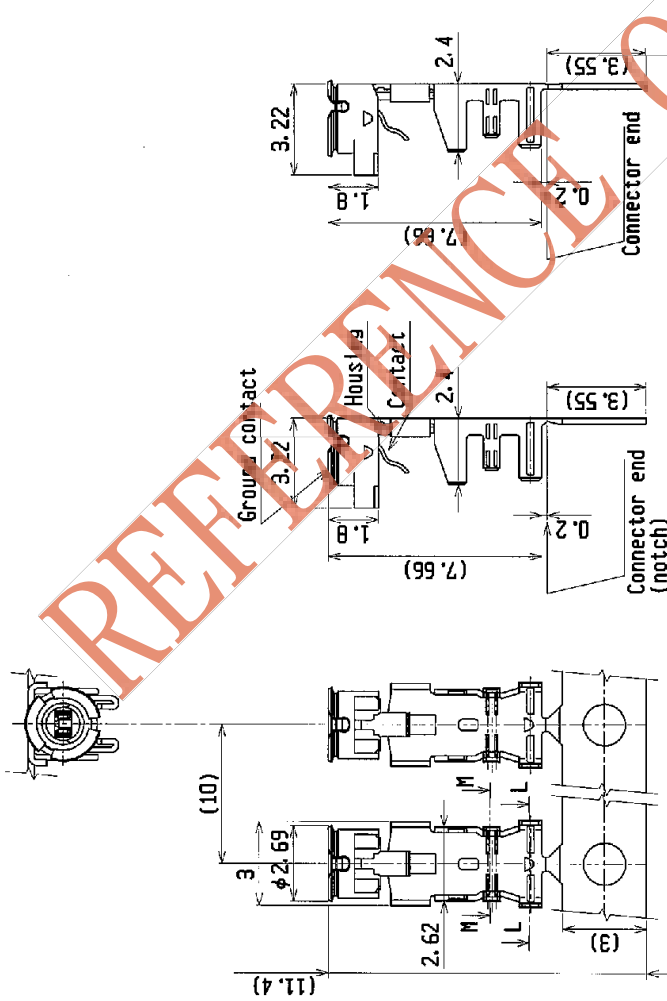
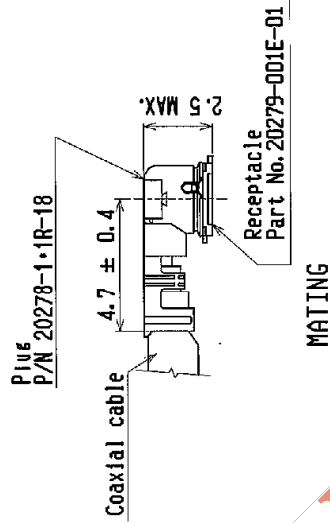
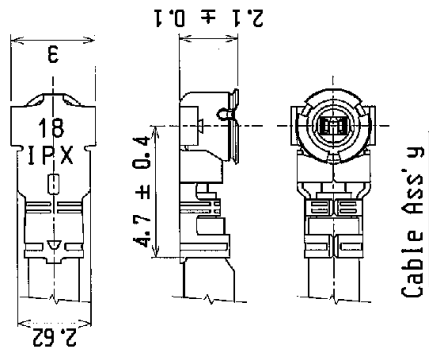
APPROVAL : W.J.WANG

Material Data Sheet

RP-SMA Bulkhead Jack



PART NO.
20278-101R-18



REFERENCE ONLY

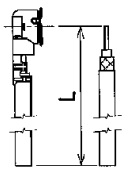
I-PEX Interconnect and Potassium Electroplating TOKYO, JAPAN	
DESIGN'D BY	DATE
CHK'D BY	DATE
APP'D BY	DATE
REV. ECN	BY DATE APP
REV. RECORD	
SERIES No.	2814
CUSTOMER	20278
COPY	2/4, 17C
TITLE	MF series micro coaxial connector plug vertical (ground contact : gold plating)
SCALE	UNIT
PROJECTION	DWG. No.
8/1	20278
6/1	2/4, 17C

GENERAL TOLERANCE	
6 MAX.	±0.2
6 OVER MAX. 30	±0.3
30 OVER MAX. 120	±0.5
ANGLE	±2

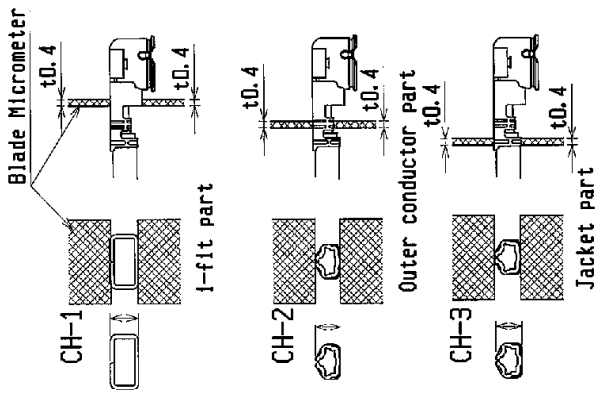
FORM REV. 4

Part No.	20278-101R-08 20278-111R-08	20278-101R-13 20278-111R-13	20278-101R-32 20278-111R-32	20278-101R-18 20278-111R-18
Housing color	White	Black	Black	White
Applicable cable nominal dimension	2.09±0.1 1.25±0.1 1.16±0.1	2.09±0.1 1.25±0.1 1.16±0.1	2.09±0.1 1.25±0.1 1.16±0.1	2.09±0.1 1.25±0.1 1.16±0.1
Outer conductor silver or tin plating	φ0.81 Nominal	φ0.93 Nominal	φ1.32 Nominal	φ1.8 Nominal
Dielectric core	φ0.4	φ0.68	φ1.12	φ0.84
Inner conductor silver plating	φ0.4	φ0.68	φ1.12	φ0.84
Jacket	φ0.81 Nominal	φ0.93 Nominal	φ1.32 Nominal	φ1.8 Nominal
Notes	AMK35(7/0.85) * NOTE-1	AMK32(7/0.88) * NOTE-1	AMK32(7/0.88) * NOTE-1	AMK30(7/0.102) * NOTE-1
Braided shield of Outer conductor 外部導体の編組	Single / 1重編組	Single / 1重編組	Double / 2重編組	Single / 1重編組
P/N of hand Tool	90187-008C	90187-018C	90187-032C	90233-018
P/N of seal auto termination machine	90213-008C	90213-018C	90213-032C	90232-018
Sect. M-M	1.68	2.24	2.29	2.71
Sect. L-L	1.19	2.28	2.37	3.1
Crimp Height	CH-1 1.34~1.40 CH-2 0.76~0.84 CH-3 0.85~0.97	1.34~1.40 1.06~1.14 1.15~1.35	1.34~1.40 1.20~1.30 1.26~1.46	1.34~1.40 1.41~1.49 1.70~1.80

Cable cut length



Crimp Height



NOTE-1
中心導体、外部導体への半田コティングは不可
Must not use solder coated
inner conductor and outer conductor.

I-PEX Interconnect and Pasternak Electronics TOKYO, JAPAN

TITLE MIF series micro coaxial connector plus vertical (ground contact : gold plating)

SCALE UNIT DIM. No. 20278

REV. SHEET REV. 9/4 17C

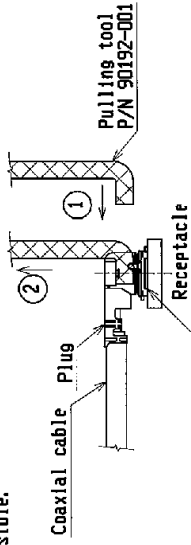
DESIGN D BY	DATE
CHK D BY	DATE
APP D BY	DATE
REV. REC'D BY	DATE
APP	PROJECTION
REV. RECORD	CUSTOMER COPY
SERIES No. 2814	

GENERAL TOLERANCE	
6 MAX.	±0.2
6 OVER MAX. 30	±0.3
30 OVER MAX. 120	±0.5
ANGLE	±2°

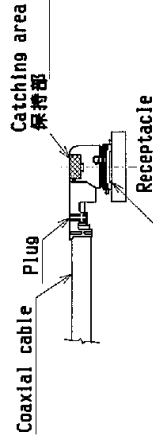
FORM REV. 4

5-2 Unmating.

(1) In case of unmating by pulling tool.
Please use the pulling tool as the following drawing, and please pull plug to vertical direction as directly as possible.



(2) In case of unmating directly by hand
Please catch the catching area of plug, and please pull plug to vertical direction as directly as possible.



5-3 Crimp over standards of outer conductor
Standards: Less than 10% from total numbers of outer conductor
(Numbers of outer conductor's crimp over from outer conductor's barrel)

5-4 Caution about Heat shrinkage tubes
Please be careful not to melt housing when using heat shrinkage tubes. It will become cause of open circuit.

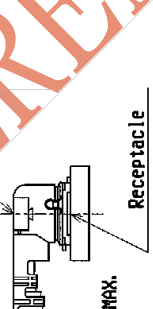
6. This is 'Pb-free' connector.

5-2 コネクタ抜き

(1) 抜きシグを用いる場合
下図のようにできるだけ垂直に引き抜いて下さい。



(2) 手で直接引き抜く場合
下図の取付部をつかみ、できるだけ垂直に引き抜いて下さい。

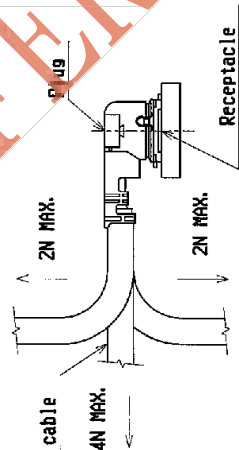


5-3 外部導体はみ出し量
外部導体はみ出し量測定 : 外部導体トータル本数の10%以下 (外部導体バレルの外に はみ出し量)

5-4 熱収縮チューブについて
熱収縮チューブで外部導体 を覆う場合は、熱収縮管の 原因により、熱収縮管の 剥離により、開放回路とな り、ハウジングを損傷させな いよう注意して下さい。

6. 本コネクタは 'Pb-free' である

1. 材料
(1) ハウジング : PBT, UL94V-0
(2) コンタクト
リチウム銅
金メッキ0.1μm MIN.
下層 ニッケル1.27μm MIN.
(3) グランドコンタクト
リチウム銅
金メッキ0.05μm MIN.
下層 ニッケル1.27μm MIN.
2. 梱包
リール
3. 梱包相手部分 No.
: 20279-001E-01
4. コネクタの許容負荷



5. Suggestions for mating & unmating operation.
5-1 Mating.
Please mate the connector straightly to vertical direction as much as possible, adjusting the mating axis of plug and receptacle.
As excessive slant angle mating may break the connector, please don't do it.

5. コネクタの組み立ておよび抜き時の注意
5-1 コネクタの挿入時
PlugとReceptacleの中心を合わせ、できるだけ垂直に挿入して下さい。コネクタの挿入は斜めに行わないで下さい。挿入角度が大きすぎると、コネクタの破損の原因となりますので、過度な斜め挿入は行わないで下さい。

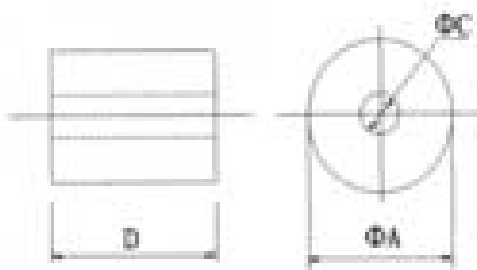
DESIGN D BY		DATE	I-PEX Interconnect and Packaging Electronics TOKYO, JAPAN	
CHK D BY		DATE	TITLE MHF series micro coaxial connector plug vertical (ground contact : gold plating)	
APP D BY		DATE	SCALE UNIT -/- (mm)	
REV	ECN	BY	DATE	APP
REV. RECORD		CUSTOMER COPY		PROJECTION UNIT ④
SERIES No.		2814		WORKS No.
		20278		SHEET REV. 4/4 17C

GENERAL TOLERANCE	
6 MAX.	±0.2
6 OVER MAX. 30	±0.3
30 OVER MAX. 120	±0.5
ANGLE	±2°

FORM REV. 4

INSPECTION DATA

ISSUE NO: WC-RM-039

CUSTOMER	萬旭電業股份有限公司	DATE	2003/10/9	Quantity	0 pcs
PART NO.	10-13-040020100-0				
ITEM	E5A RH 4X2X10				
COIL SPEC	0.05 Φ I 63 mm T.C.W I TS				
COIL DATA	Q0= C0= (PF)				
TEST FREQ	F0= Hz Ft= 25,100 MHz				
TEMPERATURE	28 ℃ Humidity 87 %				

	ELECTRIC CHARC.				DIMENSION (Unit: mm)								
	L	Q	Z(25)	Z(100)	A	B	C	D	E	F	G	H	I
SP			35.00	60.00	4.00		2.00	10.00					
+					0.20		0.15	0.40					
-			0	0	0.20		0.15	0.40					
1			45.00	82.00	3.95		2.02	9.95					
2			47.00	84.00	3.93		2.03	9.98					
3			46.00	82.00	3.92		2.04	9.96					
4			47.00	82.00	3.91		2.03	9.98					
5			45.00	81.00	3.95		2.08	9.96					
6			46.00	80.00	3.93		2.05	10.00					
7			46.00	81.00	3.95		2.03	10.02					
8			46.00	81.00	3.93		2.07	9.95					
9			46.00	80.00	3.92		2.09	9.93					
10			45.00	82.00	3.96		2.05	9.97					
X			45.00	81.50	3.94		2.05	9.97					
R			2.00	4.00	0.05		0.07	0.09					

TEST INSTRUMENTS

1. IMPEDANCE ANALYZER: HP4191A

INSP No:

REMARK:

Inspected	Checked	Approved
		

CORE-TECH CORPORATION

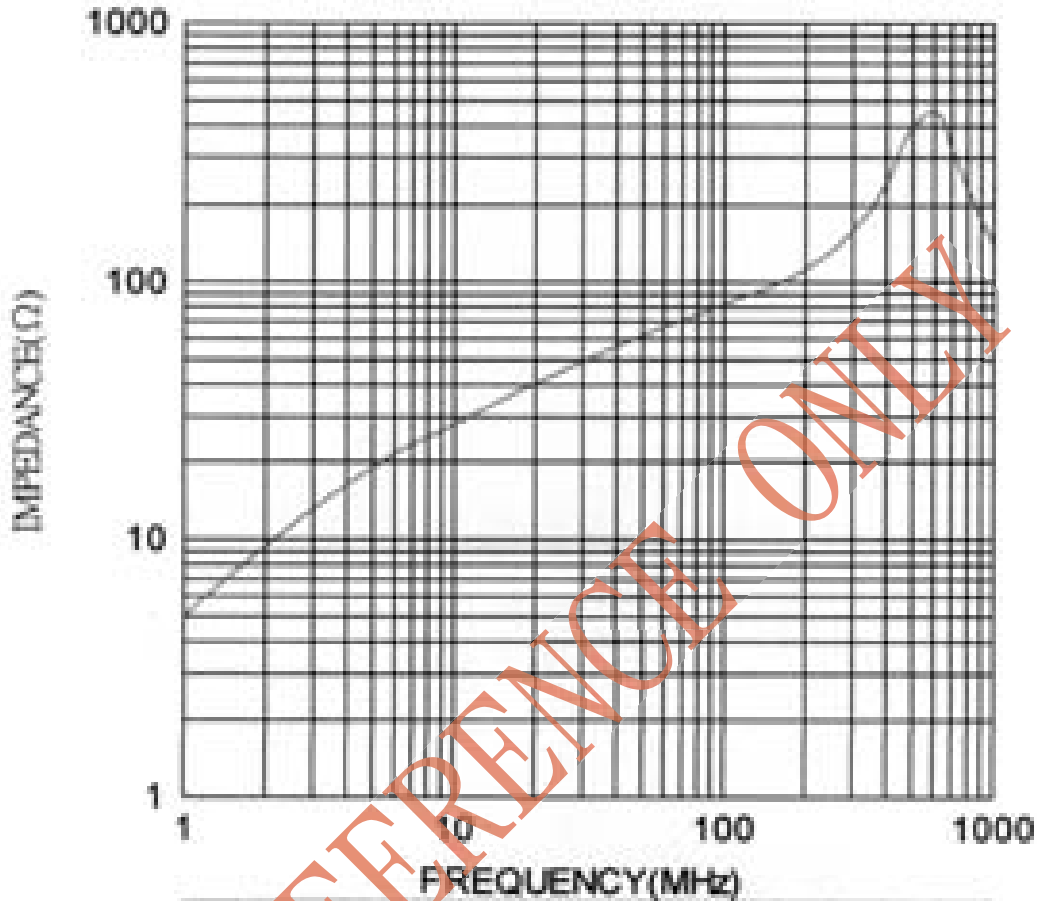
TEL: 83-28812116

Z-F RESPONSE

K5A RH 4X2X10

1. TEST INSTRUMENT: HP4191A

2. WINDING: 0.65ΦX63 mm T. C. W ITS



	1	5	10	25	50	100	200	300	400	500	600	700	800	900	1000
Z—	5	15	26	45	62	82	113	160	244	392	452	322	239	176	141

(DATA BETWEEN 500MHz AND 1000MHz ARE FOR REFERENCE ONLY)

CORE-TECH CORPORATION

<http://www.coretechweb.com.tw>

E-mail: coretech@pts1.seed.net.tw

TEL: 03-4861211 FAX: 03-4861210

零組件承認/申請報告書

編號： E24694


2006/08/10

Alpha P/N： 505960079510G		申請者：		主管：	
零組件品名： ANT CABLE Mini 1.13 L=150mm					
零組件品名：					
原製造廠商： 電			原廠編號： SHW0795A1		
代理商： 電					
聯絡人：			電話： 02-2298-8066#323		
應用機種：					
COMMENTS：					
結果					
<p>號 原廠 號 號 號E pp 審核</p> <p style="font-size: 2em; color: red; opacity: 0.5; transform: rotate(-30deg); position: absolute; top: 50%; left: 50%;">REFERENCE ONLY</p> <p style="text-align: right;">Pa NO： N/A</p> <p style="text-align: right;">日期： 2006/08/03 12:00:38</p> <p style="text-align: center;">承辦者：</p>					
結果	合格	審核	2006/08/03 18:14:21		

電子零件類 機構類 包材類 其它

ROHS: 符合 不符合

申請日期: 94年 11月 22日 申請人: 林致協
料號: EW9000151000R 品名: 線材 RF 萬旭 SHW0795A1
零件規格: 灰 15cm 包覆有鐵心 RSMA-MHF1.13mm 第二來源材料
使用機種: NFS-302H 製造/供應廠商: 萬旭/萬旭

測試結果:	
<input checked="" type="checkbox"/> 電子: Test, OK.	測試人: <u>林致協</u>
<input type="checkbox"/> 機構:	測試人:
<input type="checkbox"/> 包材:	測試人:
<input type="checkbox"/> 其它:	測試人:
檢驗重點標式: NA	
包裝方式及外銷標識: NA	
注意事項(關鍵特性): NA	
REFERENCE ONLY	
	
抽換承認書或承認樣必須給資材部會簽	
意見: _____	簽名: _____

結論:
 接受 有條件接受 退回 原因: _____
主管簽核: 許仁榮 承認者: 林致協
2005/11/22 承辦者: 蔡練好

承 認 書
SPECIFICATION FOR APPROVAL

客 戶
CUSTOMER 尚亞科技股份有限公司

日 期
DATE 94 年 11 月 17 日

品 名
DESCRIPTION Mini 1.13 Cable Assembly (L=151)
With RP-SMA Bulkhead Jack & MHF

客 戶 料 號
CUSTOMER P/N EW9000151000R

成 品 編 號
Part NO. SHW0795A1



萬旭電業股份有限公司

WANSHIH ELECTRONIC CO., LTD.

台北縣五股鄉五工六路 72 號 3 樓

3F 72 WU KONG 6TH RD., WU KU INDUSTRIAL DISTRICT

TAIPEI HSIEN, TAIWAN, R.O.C.

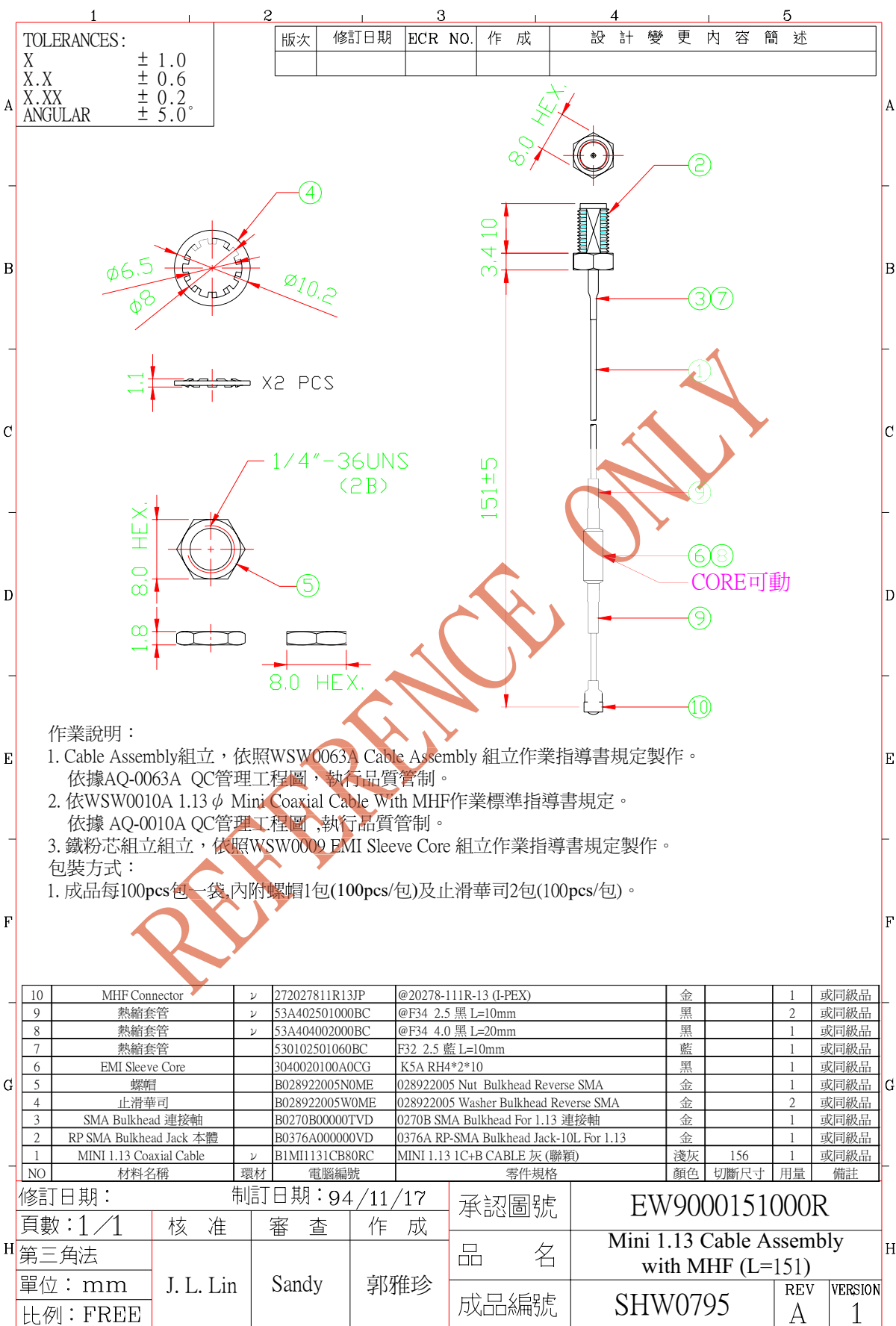
TEL : (02) 22988066 (5 LINE) FAX : (02)22981102

Table of Contents

Table of Contents	1
Specification	2
Drawing	3
Cable Assembly Electrical Characteristic	
Return Loss	4
V.S.W.R	5
Attenuation	6
Material Sheet	
Mini 1.13 Coaxial Cable	7-12
RP-SMA Bulkhead Jack	12-16
MHF Connector	17-31
EMI Sleeve Core	32-36
Heat Shrink Tube	37-42

SPECIFICATION

1. Description : Mini 1.13 Cable Assembly
with RP-SMA Bulkhead Jack & MHF
2. Customer : 尚亞科技股份有限公司
3. Part No. : SHW0795A1
4. Coaxial Length : 151 mm (see Drawing)
5. Electrical Characteristics
 - Operating Frequency : 1~6 GHz
 - Impedance : 50 Ohm nominal
 - Attenuation. : -2.6dB Max.
6. Mechanical Characteristics
 - Connector : RP-SMA Bulkhead Jack
: MHF
7. Raw Material
 - Coaxial Cable : Mini 1.13
 - Core : K5A RH 4*10*2



Electrical Characteristic

Return Loss



Electrical Characteristic

V.S.W.R



Electrical Characteristic

Attenuation



Material Data Sheet

Mini-1.13 Coaxial Cable

COPARTNER WIRE& CABLE MFG.CORP

SPECIFICATION

Xintang Road 688, Changling Industrial Area, Xintian Village, Fuyong County,
Baoan District of Shenzhen, Guangdong, China
TEL: 86-755-2731-2988, 2731-2746 FAX: 86-755-2731-2730

CUSTOMER:

STYLE: **COAXIAL CABLE**

SPEC.: **1C*32AWG+B**

PART NO.: **3970132002**

CUSTOMER CODE:

DATE : **2004/7/23**

REVISION: **A**

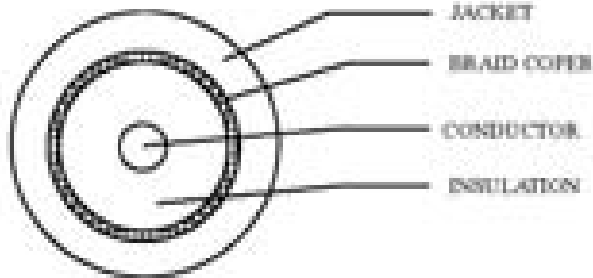
TOTAL PAGES: **3**

COPARTNER SIGNATURE	CUSTOMER APP CUSTOMER PN
PREPARED BY : LXY	CHECKED BY:
CHECKED BY:	APPROVED BY:
APPROVED BY :	DATE:

CABLE CONSTRUCTION(電纜結構):

ITEM(結構項目)		SPECIFICATION(規格說明)
CONDUCTOR 導體	AWG(線規)	32AWG
	MATERIAL(材質)	5C
	COND SIZE(尺寸)	7/0.08±0.008 mm
INSULATION 絕緣體	MIN.AWG THICK(最小厚度)	0.13 mm
	MATERIAL(材質)	PFA
	O.D(外径)	0.66±0.03 mm
	NO.(條數)	1C
ALMYLAR 鋁箔	COVERAGE(遮蔽率)	/
	OVERLAP(重疊率)	/
MYLAR 麥拉	COVERAGE(遮蔽率)	/
	OVERLAP(重疊率)	/
DRAIN 地線	AWG(線規)	/
	MATERIAL(材質)	/
	SIZE(尺寸)	/
BRAID 編織 COPPER 銅	MATERIAL(材質)	TINNED COPPER
	SIZE(尺寸)	18x40±0.008 mm
	COVERAGE(遮蔽率)	90%MIN
COVERING 被覆體	MIN.AWG THICK(最小厚度)	/
	MATERIAL(材質)	/
	O.D(外径)	/
	NO.(條數)	/
FILLER 填充	MATERIAL(材質)	/
LAYER 層合	DIRECTION(股向)	/
	PITCH(股距)	/
FOAMED PP TAP 發泡押膜	COVERAGE(遮蔽率)	/
	OVERLAP(重疊率)	/
ALMYLAR 鋁箔	COVERAGE(遮蔽率)	/
	OVERLAP(重疊率)	/
PAPER 紙	COVERAGE(遮蔽率)	/
	OVERLAP	/
DRAIN 地線	AWG(線規)	/
	MATERIAL(材質)	/
	SIZE(尺寸)	/
BRAID(編織) COPPER	MATERIAL(材質)	/
	SIZE(尺寸)	/
SPIRAL(纏繞) COPPER	MATERIAL(材質)	/
	SIZE(尺寸)	/
JACKET 被覆體	MIN.AWG THICK(最小厚度)	0.10 mm
	MATERIAL(材質)	FEP
	COLOUR(顏色)	GRAY
	O.D(外径)	1.13±0.10 mm
MARKING 印字	MARKING 印字	/

CONSTRUCTION(構造)



COLOR CODE(顏色代碼)

NATURAL

PHYSICAL PROPERTY & TRANSMISSION PERFORMANCE SPECIFICATIONS

Electric Character(電氣特性)

1. Conductor Resistance: at 20°C MAX 32AWG 56Ω/km
2. Insulation Resistance: 305MΩ·km min at 20°C @ 500V
3. Dielectric Strength: AC 500V/1minute
4. Impedance test (normal) : 50±2 Ω @ TDR
5. Attenuation (normal): at 0.9GHz 1.82dB/M at 1.5GHz 2.37dB/M at 1.9GHz 2.76dB/M
at 2.4GHz 3.05dB/M at 3GHz 3.43dB/M at 4GHz 3.94dB/M at 5GHz 4.45dB/M
at 5.8GHz 4.89dB/M at 6GHz 5.16dB/M

Physical Character of jacket (物理特性)

1. Tensile Strength (t/min): 250PSI min Aged: 75% min
2. Elongation (t/min): 200% min Aged: 75%