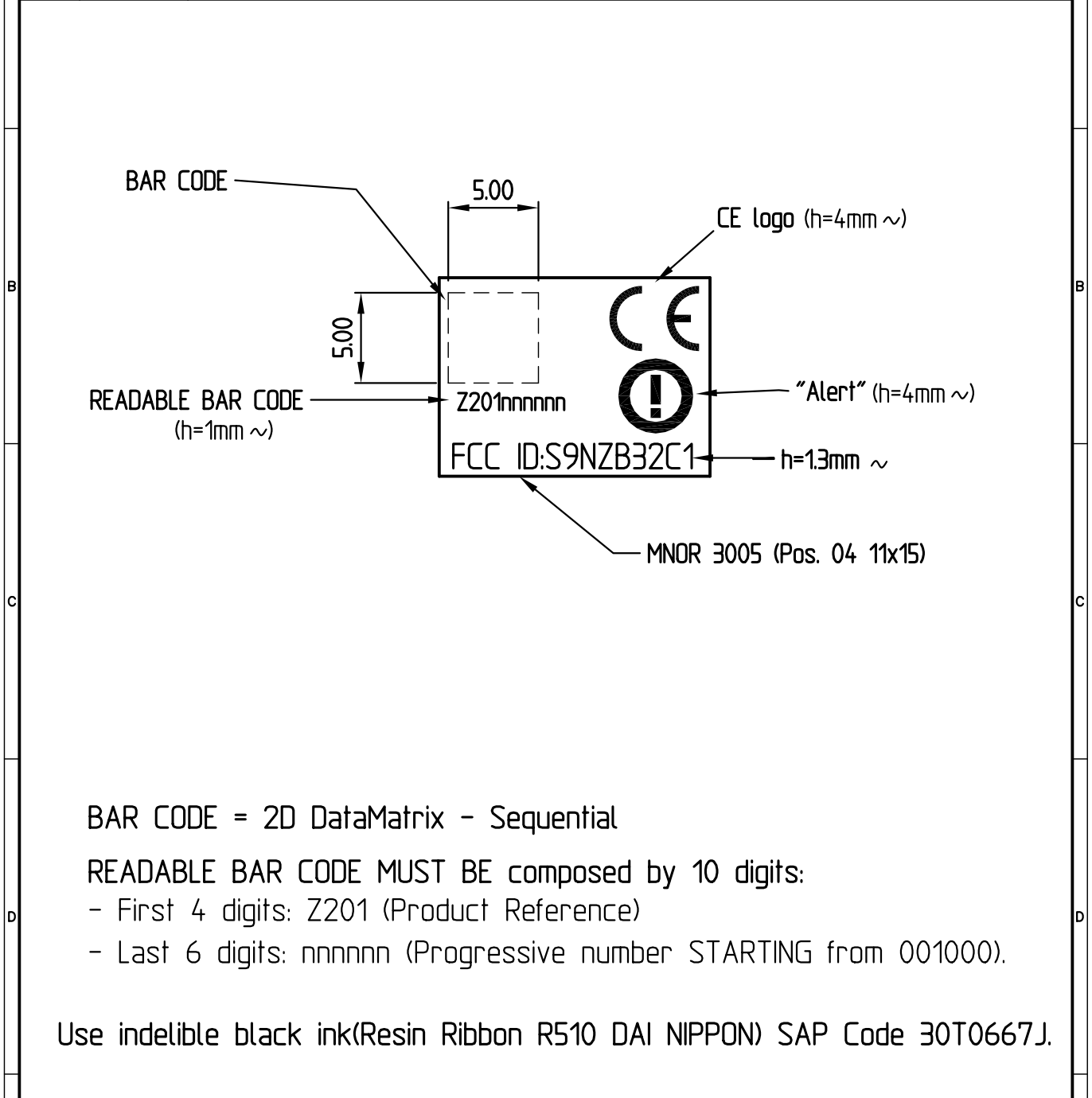




REV.	DATE	DESCRIPTION OF REVISION AND AUTHOR
A	15.06.11	FIRST ISSUE Galli
B	20.07.11	Signal "Alert" is added. Galli



 		LABEL for SPZB32W1A1.1		Doc. ref. MNOR 2082	
Subsystem Product Group				Drawing No. 8337049B	
Page size A4	Material MNOR 3005 OADL 857G	Finish Refer to the table above	Code		
Colour	ROUGHNESS (um)		TOLERANCES (except where otherwise stated)		Scale 3 : 1
	Machine finish		LINEAL MEASURES	ANG. MEASURES	Drawn by
ALL DIMENSIONS ARE IN mm (inch). REMOVE ALL BURRS AND SHARP EDGES.	<input checked="" type="checkbox"/> 125 <input type="checkbox"/> 32 <input type="checkbox"/> 0.8 <input type="checkbox"/> 0.2	<input type="checkbox"/> No decimal = ±1mm <input type="checkbox"/> .X = ±0.2mm <input type="checkbox"/> .XX = ±0.1mm	<input type="checkbox"/> .XXX = ±0.05mm <input type="checkbox"/> .XXXX = ±0.025mm	<input type="checkbox"/> No decimal = ±1° <input type="checkbox"/> .X = ±0°30'	Passed by
					Approved by
				Date	Sheet 1 of 1