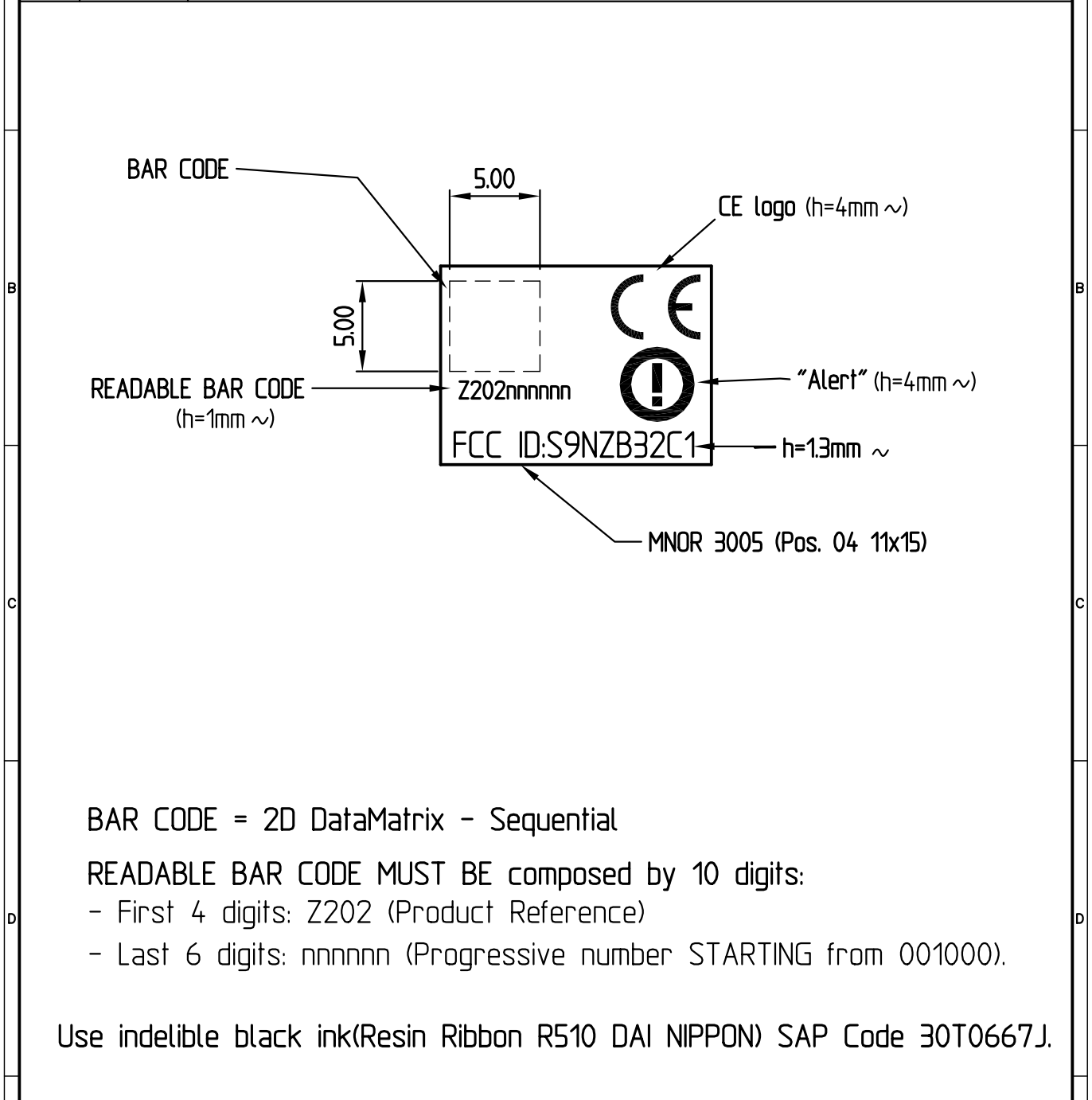




REV.	DATE	DESCRIPTION OF REVISION AND AUTHOR
A	15.06.11	FIRST ISSUE Galli
B	20.07.11	Signal "Alert" is added. Galli



				LABEL for SPZB32W1C1.1		Doc. ref. MNOR 2083	
Subsystem Product Group						Drawing No. 8337050B	
Page size A4	Material MNOR 3005 OADL 857G	Finish Refer to the table above		Code			
Colour		ROUGHNESS (um) Machine finish		TOLERANCES (except where otherwise stated)		Scale 3 : 1	Drawn by
ALL DIMENSIONS ARE IN mm (inch). REMOVE ALL BURRS AND SHARP EDGES.		Machine finish: <input type="checkbox"/> 125 <input type="checkbox"/> 32 <input type="checkbox"/> 0.8 <input type="checkbox"/> 0.2		LINEAL MEASURES: No decimal = ±1mm, .X = ±0.2mm, .XXX = ±0.05mm, .XX = ±0.1mm, .XXXX = ±0.025mm		ANG. MEASURES: No decimal = ±1°, .X = ±0°30'	
						Passed by	Approved by
						Date	Sheet 1 of 1