

Titanis 2.4 GHz Swivel SMA Antenna

Titanis Reverse thread SMA - male: 2010B6090-01

1 Features

- Designed for 2.4 GHz applications: Bluetooth®, Wi-Fi® (802.11b/g), ZigBee® , etc.
- Antenna with a SMA reverse thread to meet FCC regulations, part 15
- High efficiency
- Supplied in bulk

2 Description

Titanis is intended for use with all 2.4 GHz applications. The antenna is fitted with a SMA reverse thread connector and a blade made of flexible material that can be rotated 360 degree.

3 Applications

- Development tools
- Test equipment
- Access points, routers, etc
- Printers

5 General data

Product name	Titanis 2.4 GHz
Part Number	2010B6090-01 (Reverse thread SMA – male)
Frequency	2.4 – 2.5 GHz
Polarization	Linear
Operating temperature	-40 °C to +85 °C
Impedance	50 Ω
Weight	7.1 g
Antenna type	Swivel external
Dimensions	20 x 19.5 x 62.5 [mm]

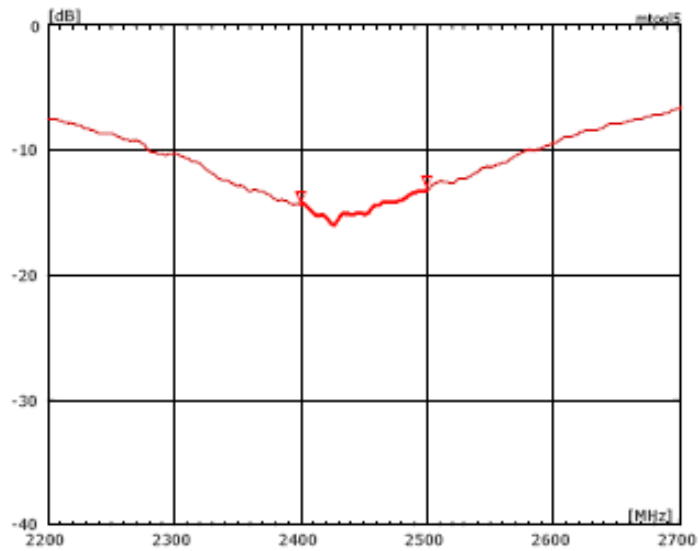


6 Electrical characteristics

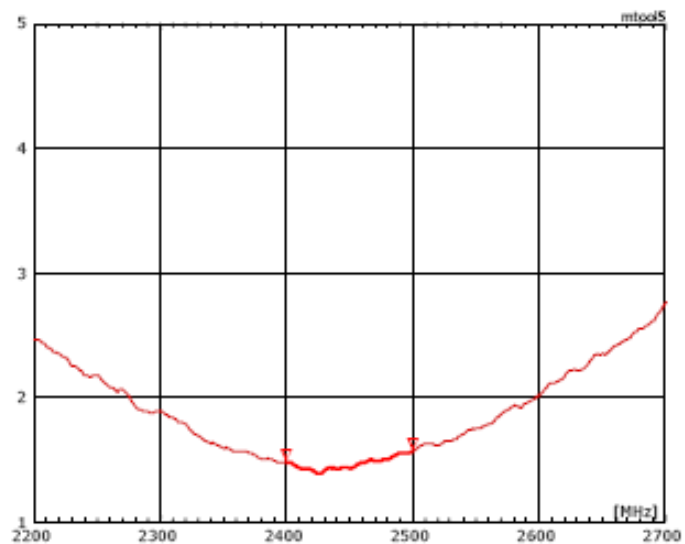
Typical performance		Conditions
Peak gain	2.2 dBi	Data given for the 2.4 – 2.5 GHz frequency range
Average gain	-1.0 dBi	
Average efficiency	80%	
Maximum Return Loss	-13 dB	
Maximum VSWR	1.6:1	

7 Electrical performance

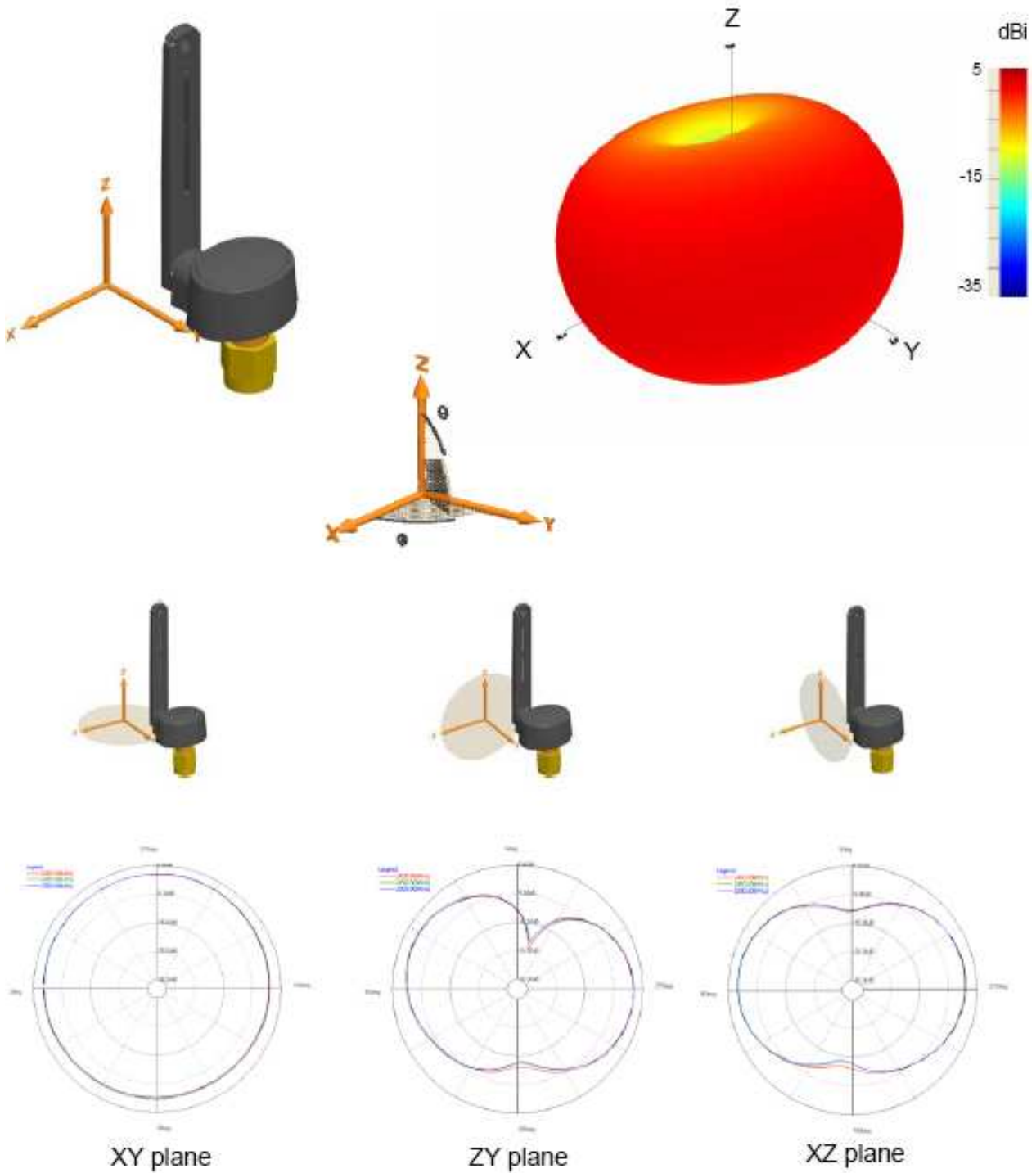
7-1 Return Loss



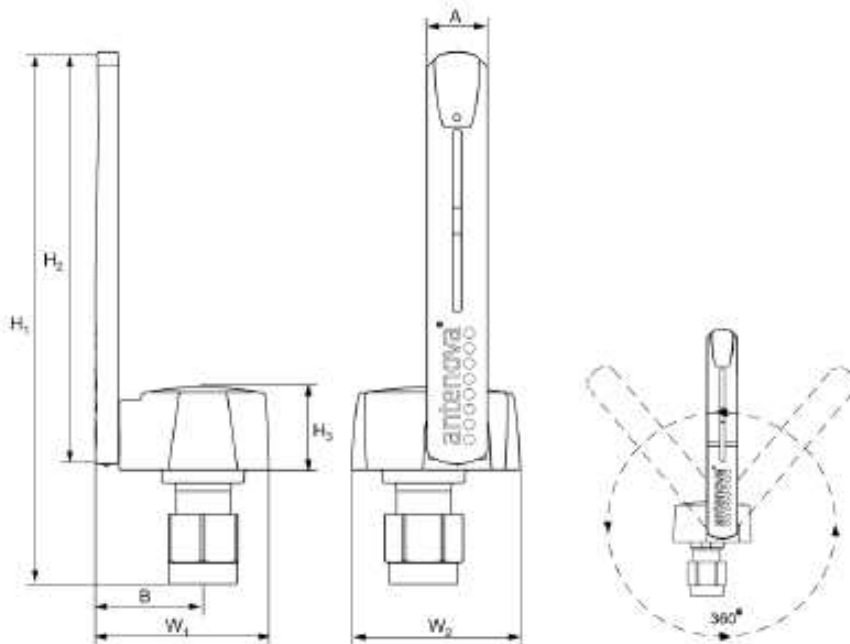
7-2 VSWR



7-3 Antenna patterns



8 Antenna dimensions



A	B	H1	H2	H3	W1	W2
		Height	Height	Height	Width	Width
7 ± 0.2	12.5 ± 0.5	62.5 ± 0.5	48.3 ± 0.5	9.5 ± 0.5	20 ± 0.3	19.5 ± 0.3

Dimensions in mm

9 Hazardous material regulation conformance

The antenna has been tested to conform to RoHS requirements. A certificate of conformance is available from Antenna's website.