

ZigBee RF MODULE BLOCK DIAGRAM

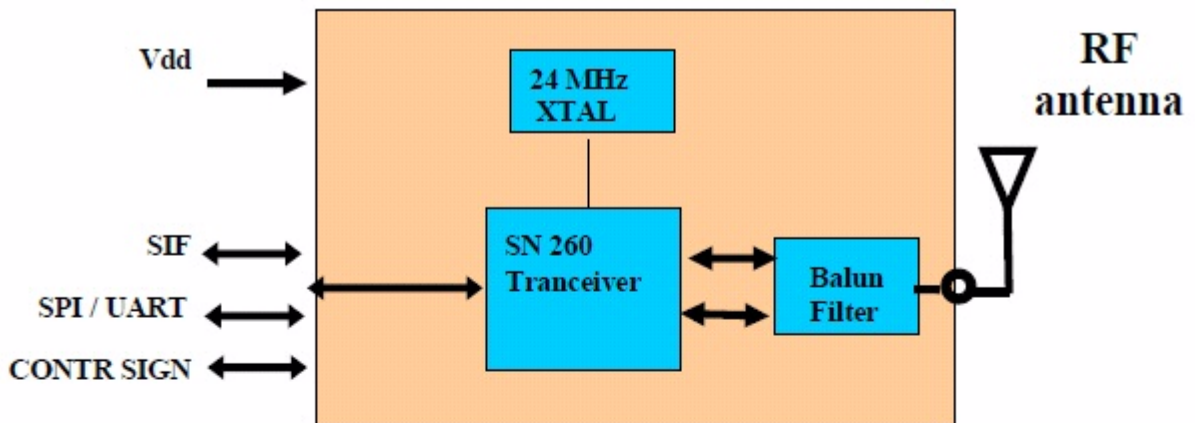


Figure 1. SPZB260C-PRO block diagram

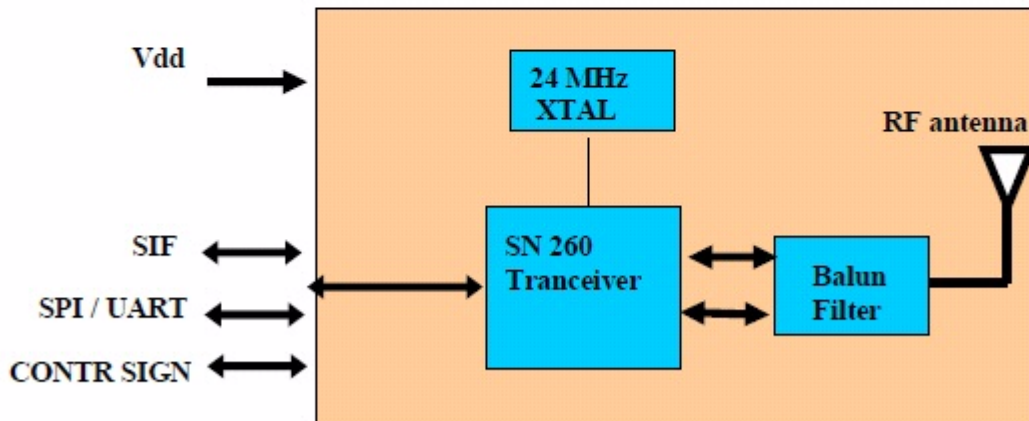


Figure 2. SPZB260A-PRO block diagram