

# FCC

## RF Test Report

Applicant : ST Microelectronics S.R.L.  
Product Type : RF BT4.1  
Trade Name : SensorTile  
Model Number : STEVAL-STLKT01V1  
Test Specification : FCC 47 CFR PART 15 SUBPART C  
ANSI C63.10:2013  
Receive Date : May 16, 2016  
Test Period : May 17, 2016  
Issue Date : Mar. 16, 2017

### Issue by

A Test Lab Techno Corp.  
No. 140-1, Changan Street, Bade District,  
Taoyuan City 33465, Taiwan (R.O.C)  
Tel : +886-3-2710188 / Fax : +886-3-2710190



Taiwan Accreditation Foundation accreditation number: 1330

**Note:** This report shall not be reproduced except in full, without the written approval of A Test Lab Techno Corp. This document may be altered or revised by A Test Lab Techno Corp. personnel only, and shall be noted in the revision section of the document. The client should not use it to claim product endorsement by TAF, or any government agencies. The test results in the report only apply to the tested sample.



### **Revision History**

Rev.	Issue Date	Revisions	Revised By
00	Mar. 16, 2017	Initial Issue	Snow Wang

## Verification of Compliance

Issued Date: Mar. 16, 2017

Applicant : ST Microelectronics S.R.L.  
Product Type : RF BT4.1  
Trade Name : SensorTile  
Model Number : STEVAL-STLKT01V1  
FCC ID : S9NSTILE01  
EUT Rated Voltage : DC 1.8V~5.5V  
Test Voltage : 120 Vac / 60 Hz  
Applicable Standard : FCC 47 CFR PART 15 SUBPART C  
ANSI C63.10:2013  
Test Result : Complied  
Performing Lab. : A Test Lab Techno Corp.  
No. 140-1, Changan Street, Bade District,  
Taoyuan City 33465, Taiwan (R.O.C)  
Tel : +886-3-2710188 / Fax : +886-3-2710190  
Taiwan Accreditation Foundation accreditation number: 1330  
<http://www.atl-lab.com.tw/e-index.htm>



A Test Lab Techno Corp. tested the above equipment in accordance with the requirements set forth in the above standards. All indications of Pass/Fail in this report are opinions expressed by A Test Lab Techno Corp. based on interpretations and/or observations of test results. Measurement Uncertainties were not taken into account and are published for informational purposes only. The test results show that the equipment tested is capable of demonstrating compliance with the requirements as documented in this report.

Approved By : Fly Lu Reviewed By : Eric Ou Yang  
(Manager) (Fly Lu) (Testing Engineer) (Eric Ou Yang)



## TABLE OF CONTENTS

<b>1</b>	<b>General Information .....</b>	<b>6</b>
<b>2</b>	<b>EUT Description .....</b>	<b>7</b>
<b>3</b>	<b>Test Methodology .....</b>	<b>8</b>
	3.1. Mode of Operation .....	8
	3.2. EUT Exercise Software .....	8
	3.3. Configuration of Test System Details .....	9
	3.4. Test Site Environment .....	10
<b>4</b>	<b>Conducted Emission Measurement .....</b>	<b>11</b>
	4.1. Limit.....	11
	4.2. Test Instruments .....	11
	4.3. Test Setup .....	11
	4.4. Test Procedure .....	12
	4.5. Test Result .....	13
<b>5</b>	<b>Radiated Emission Measurement.....</b>	<b>15</b>
	5.1. Limit.....	15
	5.2. Test Instruments .....	15
	5.3. Setup.....	16
	5.4. Test Procedure .....	17
	5.5. Test Result .....	19
<b>6</b>	<b>Maximum Conducted Output Power Measurement .....</b>	<b>26</b>
	6.1. Limit.....	26
	6.2. Test Setup .....	26
	6.3. Test Instruments .....	26
	6.4. Test Procedure .....	26
	6.5. Test Result .....	26
<b>7</b>	<b>6dB RF Bandwidth Measurement .....</b>	<b>27</b>
	7.1. Limit.....	27
	7.2. Test Setup .....	27
	7.3. Test Instruments .....	27
	7.4. Test Procedure .....	27
	7.5. Test Result .....	28
	7.6. Test Graphs.....	29
<b>8</b>	<b>Maximum Power Density Measurement.....</b>	<b>30</b>
	8.1. Limit.....	30
	8.2. Test Setup .....	30
	8.3. Test Instruments .....	30
	8.4. Test Procedure .....	30
	8.5. Test Result .....	31
	8.6. Test Graphs.....	32



<b>9</b>	<b>Out of Band Conducted Emissions Measurement.....</b>	<b>33</b>
9.1.	Limit.....	33
9.2.	Test Setup .....	33
9.3.	Test Instruments .....	33
9.4.	Test Procedure .....	33
9.5.	Test Graphs.....	34
<b>10</b>	<b>Antenna Measurement.....</b>	<b>37</b>
10.1.	Limit.....	37
10.2.	Antenna Connector Construction .....	37



## 1 General Information

### 1.1 Summary of Test Result

Standard	Item	Result	Remark
15.207	AC Power Conducted Emission	PASS	-----
15.247(d)	Transmitter Radiated Emissions	PASS	-----
15.247(b)(3)	Max. Output Power	PASS	-----
15.247(a)(2)	6dB RF Bandwidth	PASS	-----
15.247(e)	Power Spectral Density	PASS	-----
15.247(d)	Out of Band Conducted Spurious Emission	PASS	-----
15.203	Antenna Requirement	PASS	-----

The test results of this report relate only to the tested sample(s) identified in this report. Manufacturer or whom it may concern should recognize the pass or fail of the test result.

### 1.2 Measurement Uncertainty

Test Item	Frequency Range	Uncertainty (dB)
Conducted Emission	9kHz ~ 150KHz	2.7
	150kHz ~ 30MHz	2.8
Radiated Emission	9kHz ~ 30MHz	1.457
	30MHz ~ 1000MHz	6.300
	1000MHz ~ 18000MHz	5.474
	18000MHz ~ 26500MHz	5.630
	26500MHz ~ 40000MHz	5.054

## 2 EUT Description

Applicant	ST Microelectronics S.R.L. Via C. Olivetti, Agrate Brianza, 20864 Italy
Manufacturer	ST Microelectronics S.R.L. Via C. Olivetti, Agrate Brianza, 20864 Italy
Product Type	RF BT4.1
Trade Name	SensorTile
Model Number	STEVAL-STLKT01V1
FCC ID	S9NSTILE01
Frequency Range	Bluetooth LE: 2402 ~ 2480 MHz
Modulation Type	GFSK
Antenna Type	Chip Antenna
Antenna Gain	1.3 dBi
RF Output Power	0.00084 W / -0.77 dBm
Host Information	Product Name: Demo board Brand: Sensor Tile Model: STEVAL-STLCX01V1

### 3 Test Methodology

#### 3.1. Mode of Operation

Decision of Test ATL has verified the construction and function in typical operation. All the test modes were carried out with the EUT in normal operation, which was shown in this test report and defined as:

Test Mode
Mode 1: Normal Operation mode
Mode 2: Bluetooth LE link mode

- Note:
1. EUT was programmed to be in continuously transmitting mode and the transmit duty cycle is not less than 98%
  2. Software used to control the EUT for staying in continuous transmitting mode was programmed. After verification, all tests were carried out with the worst case test modes as shown below except radiated spurious emission below 1GHz and power line conducted emissions below 30MHz, which worst case was in normal link mode only.
  3. preliminary testing and verifying three axis (X, Y and Z) position of EUT transmitted status, it was found that "X axis" position was the worst, then the final test was executed the worst condition and test data were recorded in this report.

#### 3.2. EUT Exercise Software

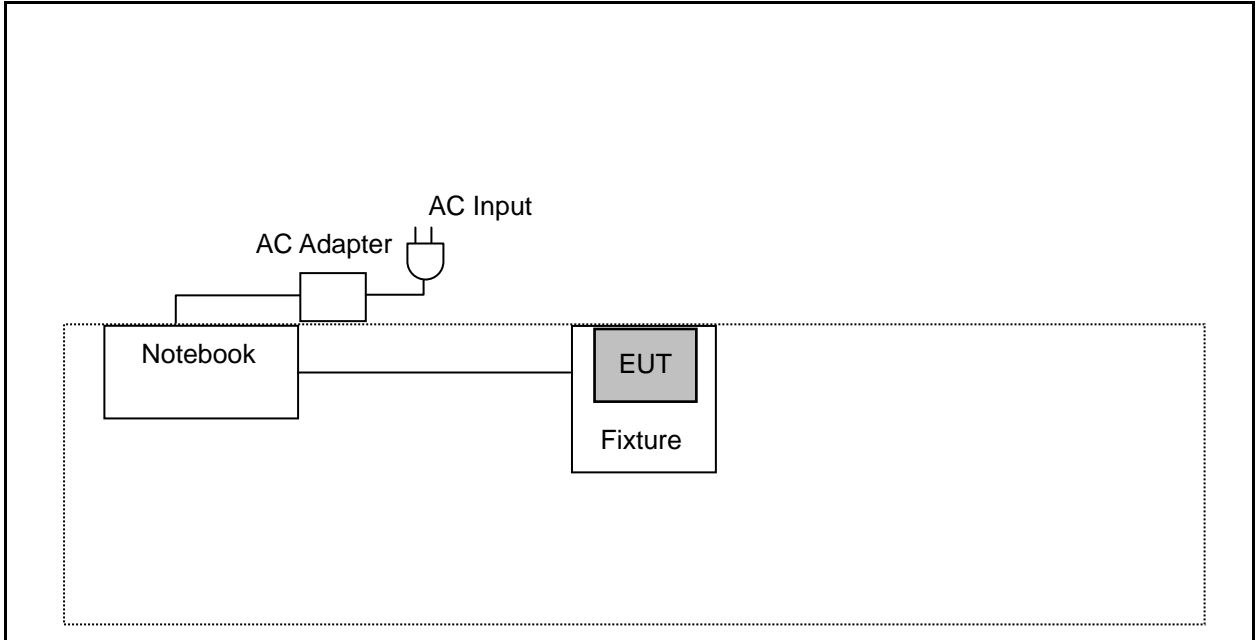
1	Setup the EUT shown on 3.3.
2	Turn on the power of all equipment.
3	Setup BLE continuous TX.
4	EUT run test program.

Measurement Software	
1	EZ-EMC Ver. ATL-03A1-1
2	EZ-EMC Ver ATL-ITC-3A1-1

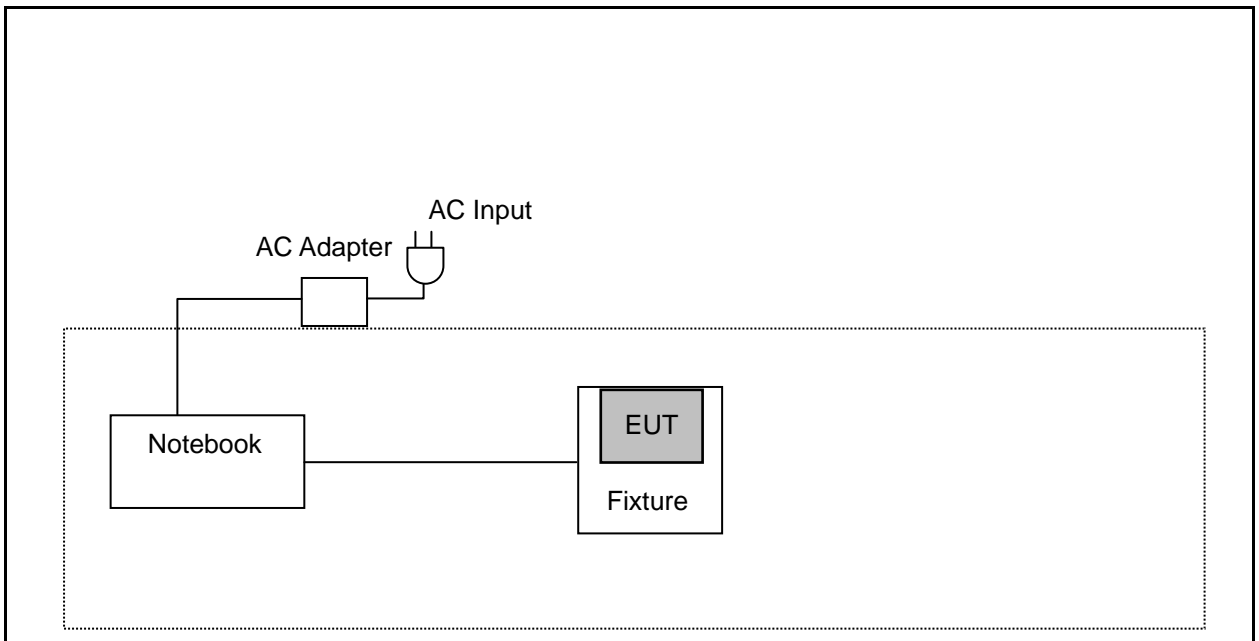


### 3.3. Configuration of Test System Details

AC Power Conducted Emission



Radiated Emissions





### 3.4. Test Site Environment

Items	Required (IEC 60068-1)	Actual
Temperature (°C)	15-35	26
Humidity (%RH)	25-75	60
Barometric pressure (mbar)	860-1060	950

## 4 Conducted Emission Measurement

### 4.1. Limit

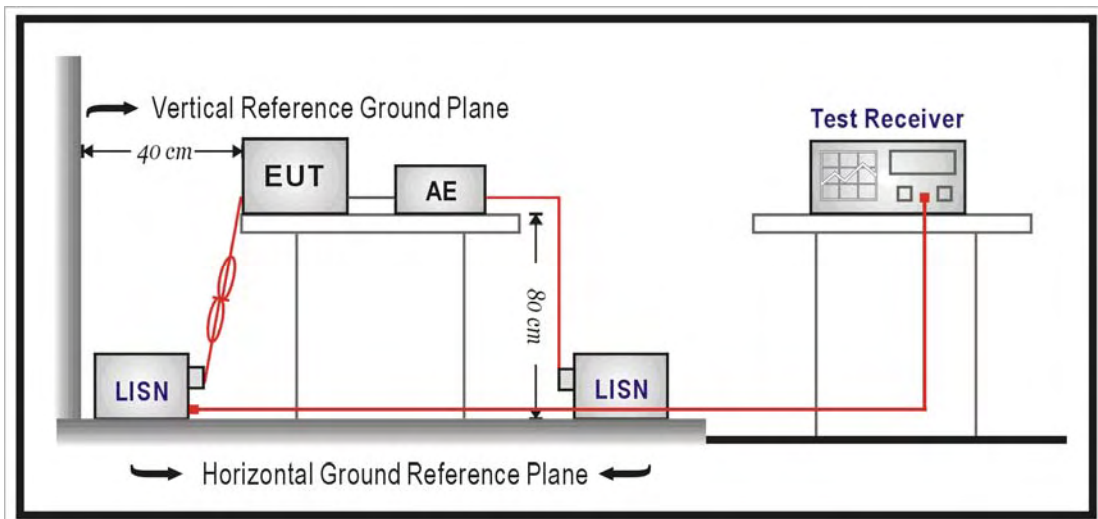
Frequency (MHz)	Quasi-peak	Average
0.15 - 0.5	66 to 56	56 to 46
0.50 - 5.0	56	46
5.0 - 30.0	60	50

### 4.2. Test Instruments

Describe	Manufacturer	Model Number	Serial Number	Cal. Date	Remark
Test Receiver	R&S	ESCI	100367	06/25/2015	1 year
LISN	R&S	ENV216	101040	03/15/2016	1 year
LISN	R&S	ENV216	101041	03/07/2016	1 year
RF Cable	Woken	00100D1380194M	TE-02-02	06/26/2015	1 year
Test Site	ATL	TE02	TE02	N.C.R.	-----

Note: N.C.R. = No Calibration Request.

### 4.3. Test Setup





#### 4.4. Test Procedure

The EUT and simulators are connected to the main power through a line impedance stabilization network (L.I.S.N.). This provides a 50 ohm /50uH coupling impedance for the measuring equipment. The peripheral devices are also connected to the main power through a LISN that provides a 50ohm/50uH coupling impedance with 50ohm termination.

For A.C. mains conducted interference, measured both sides of A.C. lines and carried out using quasi-peak and average detector receivers of maximum conducted interference.

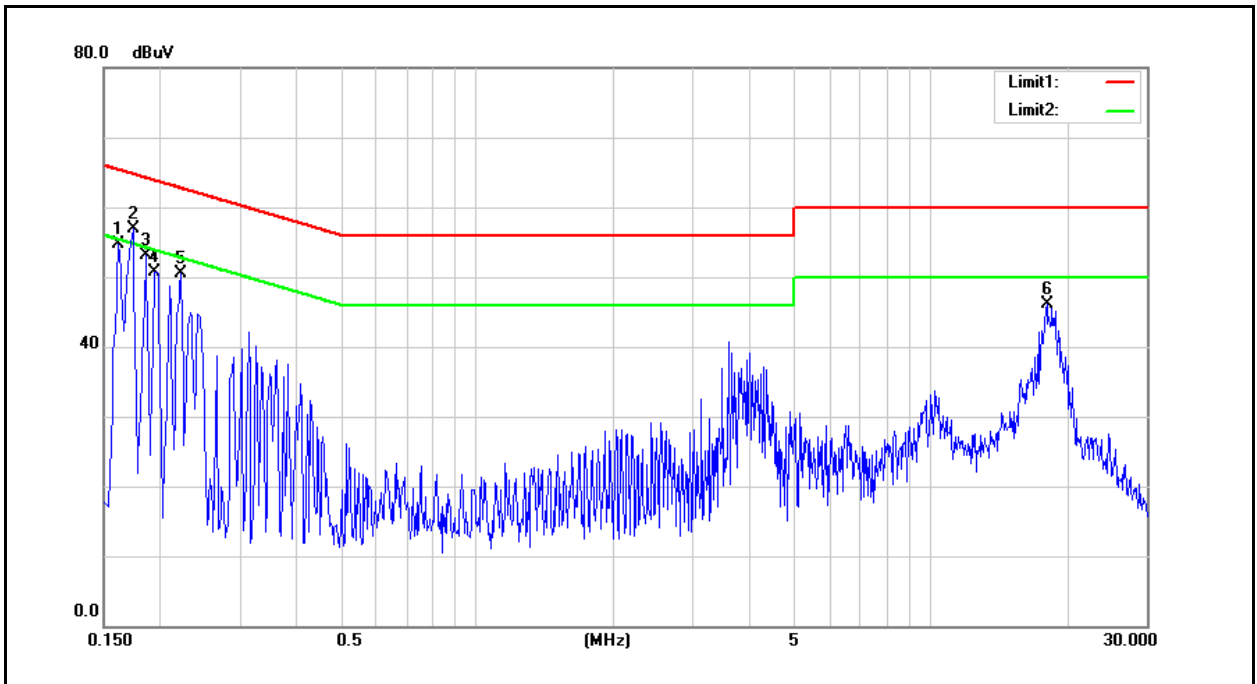
Conducted emissions were investigated over the frequency range from 0.15 MHz to 30 MHz using a receiver bandwidth of 9 kHz. The equipment under test (EUT) shall be meet the limits in section 4.1, as applicable, including the average limit and the quasi-peak limit when using respectively, an average detector and quasi-peak detector measured in accordance with the methods described of related standard. The voltage limits shall be met. If the average limit is met when using a quasi-peak detector receiver, the EUT shall be deemed to meet both limits and measurement with the average detector receiver is unnecessary.

If the reading of the measuring receiver shows fluctuations close to the limit, the reading shall be observed for at least 15 s at each measurement frequency; the higher reading shall be recorded with the exception of any brief isolated high reading which shall be ignored.



### 4.5. Test Result

Standard:	FCC Part 15C	Line:	L1
Test Mode:	Mode 1	Power:	AC 120V/60Hz
		Temp.(°C)/Hum.(%RH):	26(°C)/60%RH
		Date:	05/17/2016
		Test By:	Eric Ou Yang



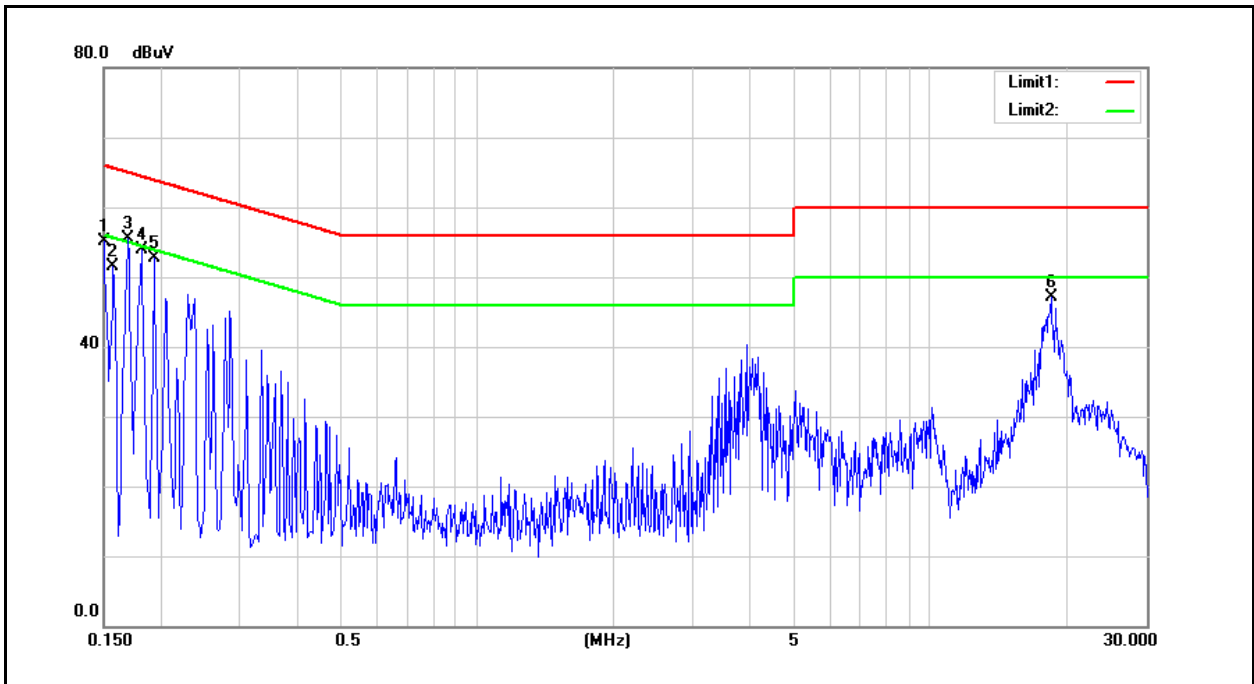
No.	Frequency (MHz)	QP reading (dBuV)	AVG reading (dBuV)	Correction factor (dB)	QP result (dBuV)	AVG result (dBuV)	QP limit (dBuV)	AVG limit (dBuV)	QP margin (dB)	AVG margin (dB)	Remark
1	0.1620	39.57	10.76	9.60	49.17	20.36	65.36	55.36	-16.19	-35.00	Pass
2	0.1740	41.22	28.35	9.60	50.82	37.95	64.77	54.77	-13.95	-16.82	Pass
3	0.1860	36.30	8.34	9.59	45.89	17.93	64.21	54.21	-18.32	-36.28	Pass
4	0.1940	35.21	6.75	9.59	44.80	16.34	63.86	53.86	-19.06	-37.52	Pass
5	0.2220	32.20	6.33	9.59	41.79	15.92	62.74	52.74	-20.95	-36.82	Pass
6	18.1340	29.80	20.70	9.95	39.75	30.65	60.00	50.00	-20.25	-19.35	Pass

Note: 1. Result (dBuV) = Correction factor (dB) + Reading(dBuV).

2. Correction factor (dB) = Cable loss (dB) + L.I.S.N. factor (dB).



Standard:	FCC Part 15C	Line:	N
Test Mode:	Mode 1	Power:	AC 120V/60Hz
		Temp.(°C)/Hum.(%RH):	26(°C)/60%RH
		Date:	05/17/2016
		Test By:	Eric Ou Yang



No.	Frequency (MHz)	QP reading (dBuV)	AVG reading (dBuV)	Correction factor (dB)	QP result (dBuV)	AVG result (dBuV)	QP limit (dBuV)	AVG limit (dBuV)	QP margin (dB)	AVG margin (dB)	Remark
1	0.1500	41.20	11.98	9.59	50.79	21.57	66.00	56.00	-15.21	-34.43	Pass
2	0.1580	39.90	10.92	9.59	49.49	20.51	65.57	55.57	-16.08	-35.06	Pass
3	0.1700	39.55	24.37	9.59	49.14	33.96	64.96	54.96	-15.82	-21.00	Pass
4	0.1820	37.07	12.88	9.58	46.65	22.46	64.39	54.39	-17.74	-31.93	Pass
5	0.1940	35.17	6.76	9.58	44.75	16.34	63.86	53.86	-19.11	-37.52	Pass
6	18.4820	29.97	16.95	10.08	40.05	27.03	60.00	50.00	-19.95	-22.97	Pass

Note: 1. Result (dBuV) = Correction factor (dB) + Reading(dBuV).

2. Correction factor (dB) = Cable loss (dB) + L.I.S.N. factor (dB).



## 5 Radiated Emission Measurement

### 5.1. Limit

According to §15.209(a), except as provided elsewhere in this subpart, the emissions from an intentional radiator shall not exceed the field strength levels specified in the following table:

Frequency (MHz)	Field Strength ( $\mu\text{V}/\text{m}$ at meter)	Measurement Distance (meters)
0.009 – 0.490	2400 / F (kHz)	300
0.490 – 1.705	24000 / F (kHz)	30
1.705 – 30.0	30	30
30 - 88	100**	3
88-216	150**	3
216-960	200**	3
Above 960	500	3

\*\* Except as provided in paragraph (g), fundamental emissions from intentional radiators operating under this Section shall not be located in the frequency bands 54-72 MHz, 76-88 MHz, 174-216 MHz or 470-806 MHz. However, operation within these frequency bands is permitted under other sections of this Part, e.g., Sections 15.231 and 15.241.

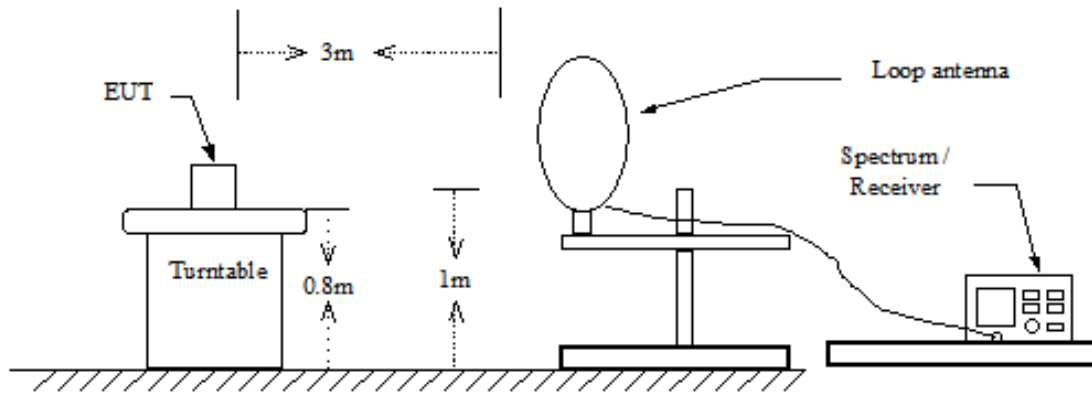
### 5.2. Test Instruments

3 Meter Chamber					
Equipment	Manufacturer	Model Number	Serial Number	Cal. Date	Cal. Period
RF Pre-selector	Agilent	N9039A	MY46520256	01/08/2016	1 year
Spectrum Analyzer	Agilent	E4446A	MY46180578	01/08/2016	1 year
Pre Amplifier	Agilent	8449B	3008A02237	10/07/2015	1 year
Pre Amplifier	Agilent	8447D	2944A11119	01/11/2016	1 year
Broadband Antenna	Schwarzbeck	VULB9168	416	09/25/2015	1 year
Horn Antenna (1~18GHz)	SCHWARZBECK MESS-ELEKTRONIK	BBHA9120D	9120D-550	06/12/2015	1 year
Horn Antenna (18~40GHz)	ETS	3116	86467	09/01/2015	1 year
Loop Antenna	COM-POWER CORPORATION	AL-130	121014	02/01/2016	1 year
Microwave Cable	EMCI	EMC102-KM-KM-14000	151001	10/15/2015	1 year
Microwave Cable	EMCI	EMC-104-SM-SM-14000	140202	10/15/2015	1 year
Microwave Cable	EMCI	EMC104-SM-SM-600	140301	10/15/2015	1 year
Test Site	ATL	TE01	888001	08/27/2015	1 year

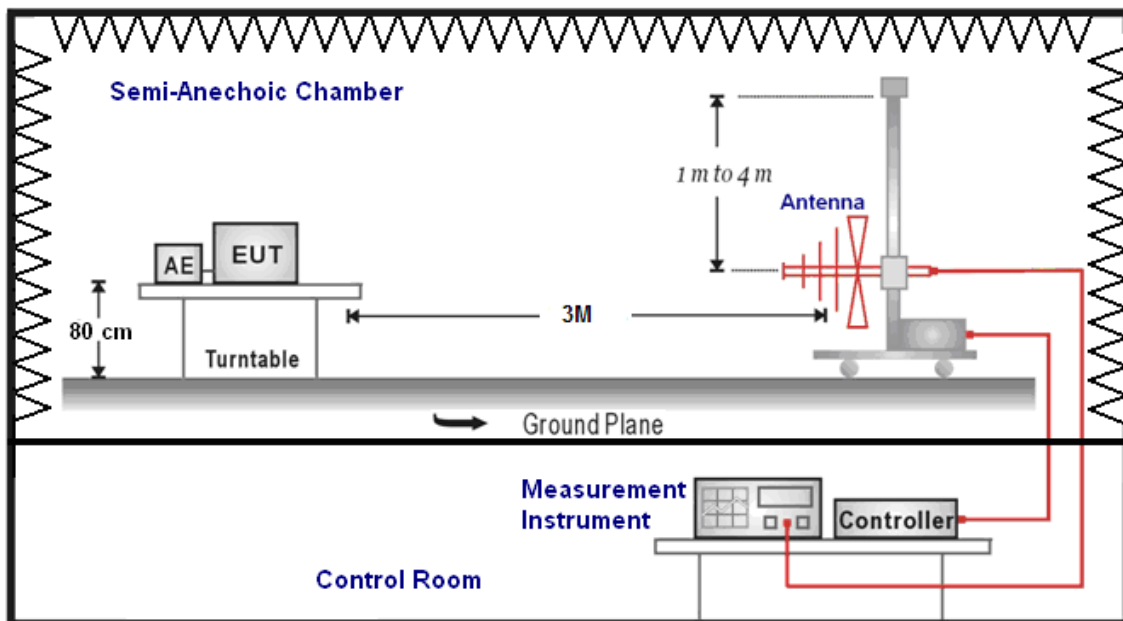
Note: N.C.R. = No Calibration Request.

### 5.3. Setup

9kHz ~ 30MHz

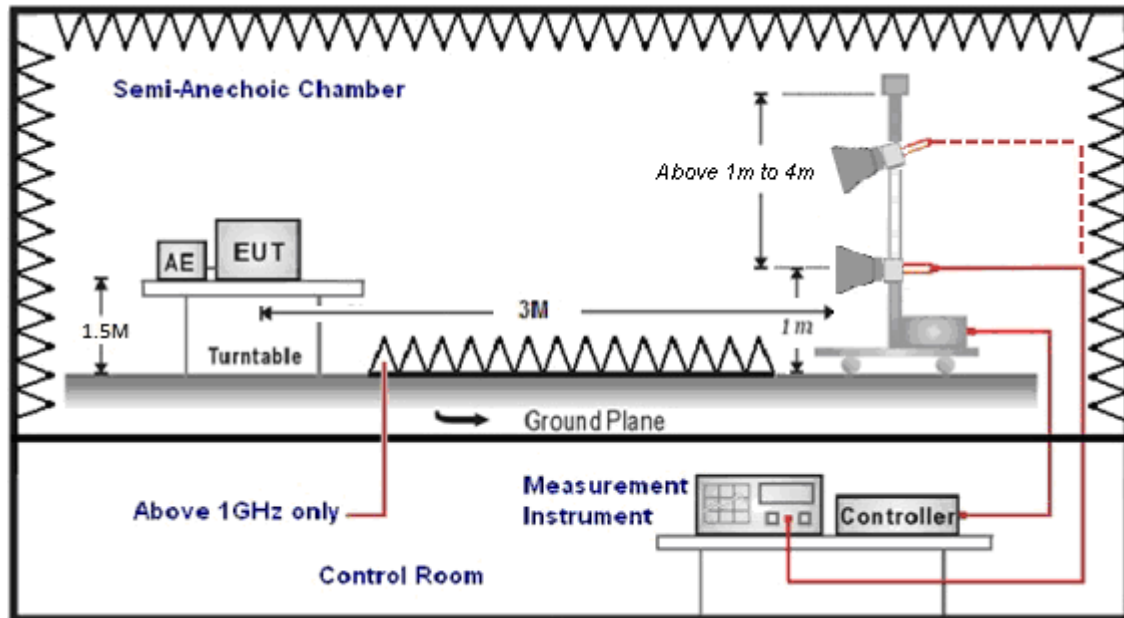


Below 1GHz





Above 1GHz



## 5.4. Test Procedure

Final radiation measurements were made on a three-meter, Semi Anechoic Chamber. The EUT system was placed on a nonconductive turntable which is 0.8 or 1.5 meters height (below 1GHz use 0.8m turntable / above 1GHz use 1.5m turntable), top surface 1.0 x 1.5 meter. The spectrum was examined from 250 MHz to 2.5 GHz in order to cover the whole spectrum below 10th harmonic which could generate from the EUT. During the test, EUT was set to transmit continuously & Measurements spectrum range from 9 kHz to 26.5 GHz is investigated.

For measurements below 1 GHz the resolution bandwidth is set to 100 kHz for peak detection measurements or 120 kHz for quasi-peak detection measurements. Peak detection is used unless otherwise noted as quasi-peak.

For measurements above 1 GHz the resolution bandwidth is set to 1 MHz, and then the video bandwidth is set to 1 MHz for peak measurements and 10 Hz for average measurements when Duty cycle >98% / 1/T for average measurements when Duty cycle <98%. A nonconductive material surrounded the EUT to supporting the EUT for standing on three orthogonal planes. At each condition, the EUT was rotated 360 degrees, and the antenna was raised and lowered from one to four meters to find the maximum emission levels. Measurements were taken using both horizontal and vertical antenna polarization.



SCHWARZBECK MESS-ELEKTRONIK Biconilog Antenna at 3 Meter and the SCHWARZBECK Double Ridged Guide Antenna was used in frequencies 1 – 26.5 GHz at a distance of 1 meter. All test results were extrapolated to equivalent signal at 3 meters utilizing an inverse linear distance extrapolation Factor (20dB/decade).

For testing above 1GHz, the emission level of the EUT in peak mode was 20dB lower than average limit (that means the emission level in peak mode also complies with the limit in average mode), then testing will be stopped and peak values of EUT will be reported, otherwise, the emissions will be measured in average mode again and reported.

Appropriate preamplifiers were used for improving sensitivity and precautions were taken to avoid overloading or desensitizing the spectrum analyzer. No post – detector video filters were used in the test.

The spectrum analyzer's 6 dB bandwidth was set to 1 MHz, and the analyzer was operated in the peak detection mode, for frequencies both below and up 1 GHz. The average levels were obtained by subtracting the duty cycle correction factor from the peak readings.

The following procedures were used to convert the emission levels measured in decibels referenced to 1 microvolt (dBuV) into field intensity in micro volts pre meter (uV/m).

The actual field intensity in decibels referenced to 1 microvolt in to field intensity in micro volts per meter (dBuV/m).

The actual field intensity in decibels referenced to 1 microvolt per meter (dBuV/m) is determined by algebraically adding the measured reading in dBuV, the antenna factor (dB), and cable loss (dB) and Subtracting the gain of preamplifier (dB) is auto calculate in spectrum analyzer.

$$(1) \text{ Amplitude (dBuV/m)} = \text{FI (dBuV)} + \text{AF (dBuV)} + \text{CL (dBuV)} - \text{Gain (dB)}$$

FI= Reading of the field intensity.

AF= Antenna factor.

CL= Cable loss.

P.S Amplitude is auto calculate in spectrum analyzer.

$$(2) \text{ Actual Amplitude (dBuV/m)} = \text{Amplitude (dBuV)} - \text{Dis(dB)}$$

The FCC specified emission limits were calculated according the EUT operating frequency and by following linear interpolation equations:

(a) For fundamental frequency : Transmitter Output < +30dBm

(b) For spurious frequency : Spurious emission limits = fundamental emission limit /10

Data of measurement within this frequency range without mark in the table above means the reading of emissions are attenuated more than 20dB below the permissible limits or the field strength is too small to be measured.



### 5.5. Test Result

#### Below 1GHz

Standard:		FCC Part 15C		Test Distance:		3m	
Test Mode:		Mode 1		Power:		AC 120V/60Hz	
				Temp.(°C)/Hum.(%RH):		26(°C)/60%RH	
				Date:		05/17/2016	
				Test By:		Eric Ou Yang	
Frequency (MHz)	Reading (dBuV)	Correct Factor (dB/m)	Result (dBuV/m)	Limit (dBuV/m)	Margin (dB)	Remark	Ant.Polar. H / V
199.5000	38.58	-12.28	26.30	43.50	-17.20	QP	H
399.5000	32.22	-5.68	26.54	46.00	-19.46	QP	H
490.0000	37.53	-2.97	34.56	46.00	-11.44	QP	H
637.5000	29.26	0.22	29.48	46.00	-16.52	QP	H
799.0000	30.63	2.90	33.53	46.00	-12.47	QP	H
959.0000	28.49	5.35	33.84	46.00	-12.16	QP	H
120.0000	35.98	-11.93	24.05	43.50	-19.45	QP	V
415.0000	34.91	-5.11	29.80	46.00	-16.20	QP	V
444.0000	34.07	-4.04	30.03	46.00	-15.97	QP	V
494.0000	36.53	-2.88	33.65	46.00	-12.35	QP	V
583.0000	31.66	-0.98	30.68	46.00	-15.32	QP	V
796.5000	31.26	2.87	34.13	46.00	-11.87	QP	V

Note:1.Result (dBuV) = Correction factor (dB) + Reading(dBuV).

2.Correction factor (dB/m) = Antenna Factor (dB/m) + Cable loss (dB) – Pre-Amplifier gain (dB).

3.No emission found between lowest internal used/generated frequencies to 30MHz (9 kHz~30MHz).



**Above 1GHz**

Standard: FCC Part 15C		Test Distance: 3m	
Test Mode: Mode 2		Power: AC 120V/60Hz	
Frequency: 2402MHz		Temp.(°C)/Hum.(%RH): 26(°C)/60%RH	
		Date: 05/17/2016	
		Test By: Eric Ou Yang	

Frequency (MHz)	Reading (dBuV)	Correct Factor (dB/m)	Result (dBuV/m)	Limit (dBuV/m)	Margin (dB)	Remark	Ant.Polar. H / V
4804.000	47.64	7.43	55.07	74.00	-18.93	peak	H
4804.000	38.85	7.43	46.28	54.00	-7.72	AVG	H
7206.000	41.39	13.36	54.75	74.00	-19.25	peak	H
7206.000	30.93	13.36	44.29	54.00	-9.71	AVG	H
4804.000	49.57	7.43	57.00	74.00	-17.00	peak	V
4804.000	39.71	7.43	47.14	54.00	-6.86	AVG	V
7206.000	36.11	13.36	49.47	74.00	-24.53	peak	V

Standard: FCC Part 15C		Test Distance: 3m	
Test Mode: Mode 2		Power: AC 120V/60Hz	
Frequency: 2440MHz		Temp.(°C)/Hum.(%RH): 26(°C)/60%RH	
		Date: 05/17/2016	
		Test By: Eric Ou Yang	

Frequency (MHz)	Reading (dBuV)	Correct Factor (dB/m)	Result (dBuV/m)	Limit (dBuV/m)	Margin (dB)	Remark	Ant.Polar. H / V
4880.000	48.80	7.71	56.51	74.00	-17.49	peak	H
4880.000	39.02	7.71	46.73	54.00	-7.27	AVG	H
7320.000	40.04	13.70	53.74	74.00	-20.26	peak	H
7320.000	30.51	13.70	44.21	54.00	-9.79	AVG	H
4880.000	49.65	7.71	57.36	74.00	-16.64	peak	H
4880.000	39.92	7.71	47.63	54.00	-6.37	AVG	H
7320.000	38.75	13.70	52.45	74.00	-21.55	peak	H
7320.000	29.01	13.70	42.71	54.00	-11.29	AVG	H

Note:1.Result (dBuV/m) = Correct Factor (dB/m) + Reading(dBuV).

2.Correction factor (dB/m) = Antenna Factor (dB/m) + Cable loss (dB) – Pre-Amplifier gain (dB).

3. When the peak results are less than average limit, so not need to evaluate the average.



Standard: FCC Part 15C		Test Distance: 3m					
Test Mode: Mode 2		Power: AC 120V/60Hz					
Frequency: 2480MHz		Temp.(°C)/Hum.(%RH): 26(°C)/60%RH					
		Date: 05/17/2016					
		Test By: Eric Ou Yang					
Frequency (MHz)	Reading (dBuV)	Correct Factor (dB/m)	Result (dBuV/m)	Limit (dBuV/m)	Margin (dB)	Remark	Ant.Polar. H / V
4960.000	48.27	7.98	56.25	74.00	-17.75	peak	H
4960.000	36.38	7.98	44.36	54.00	-9.64	AVG	H
7440.000	43.95	14.07	58.02	74.00	-15.98	peak	H
7440.000	33.06	14.07	47.13	54.00	-6.87	AVG	H
4960.000	50.64	7.98	58.62	74.00	-15.38	peak	V
4960.000	38.94	7.98	46.92	54.00	-7.08	AVG	V
7440.000	42.37	14.07	56.44	74.00	-17.56	peak	V
7440.000	32.80	14.07	46.87	54.00	-7.13	AVG	V

Note:1.Result (dBuV/m) = Correct Factor (dB/m) + Reading(dBuV).

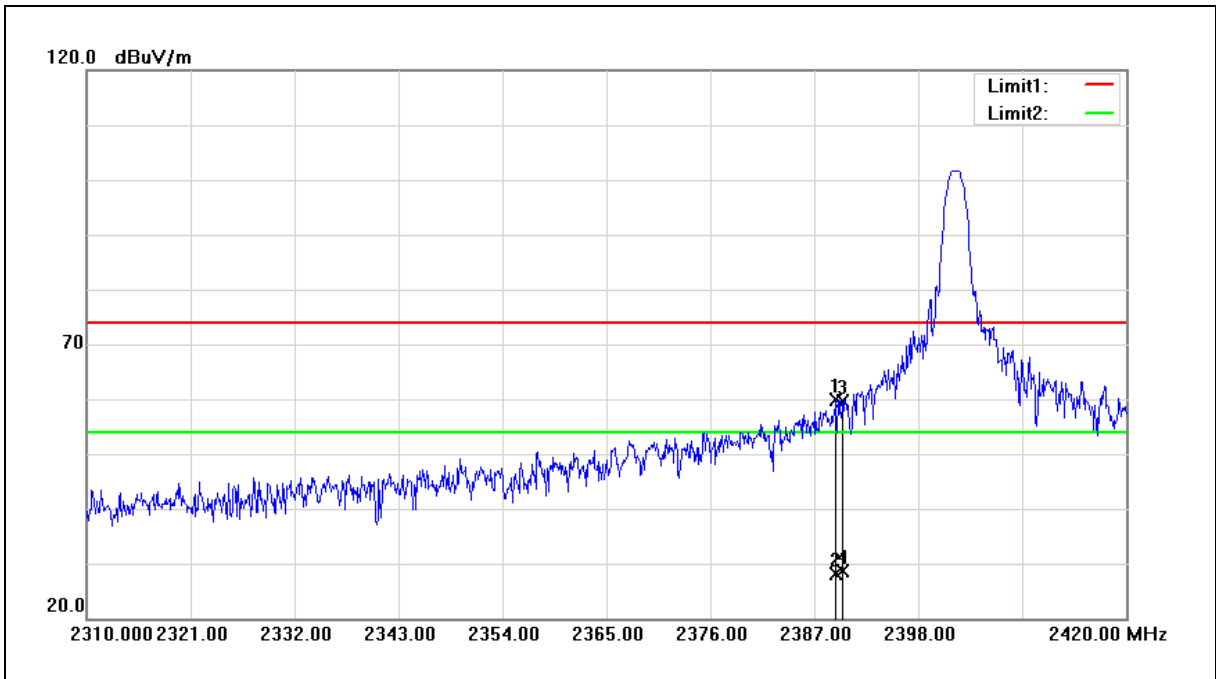
2.Correction factor (dB/m) = Antenna Factor (dB/m) + Cable loss (dB) – Pre-Amplifier gain (dB).

3. When the peak results are less than average limit, so not need to evaluate the average.



**Band Edge**

Standard:	FCC Part 15.247	Test Distance:	3m
Test item:	Band edge	Power:	AC 120V/60Hz
Frequency:	2402MHz	Temp.(°C)/Hum.(%RH):	26(°C)/60%RH
Mode:	Mode 2	Date:	05/17/2016
Ant.Polar.:	Horizontal		



No.	Frequency (MHz)	Reading (dBuV)	Correct Factor (dB/m)	Result (dBuV/m)	Limit (dBuV/m)	Margin (dB)	Remark
1	2389.310	60.13	-0.22	59.91	74.00	-14.09	peak
2	2389.310	28.34	-0.22	28.12	54.00	-25.88	AVG
3	2390.000	59.96	-0.22	59.74	74.00	-14.26	peak
4	2390.000	28.75	-0.22	28.53	54.00	-25.47	AVG

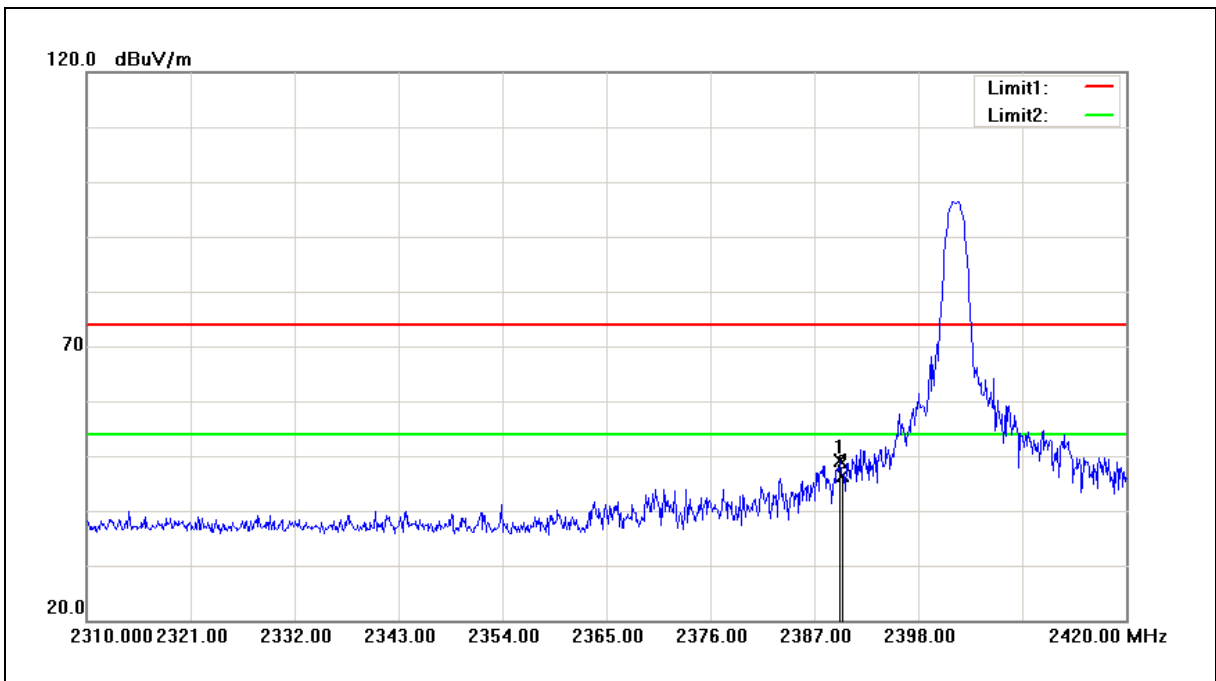
Note:1.Result (dBuV/m) = Correct Factor (dB/m) + Reading(dBuV).

2.Correction factor (dB/m) = Antenna Factor (dB/m) + Cable loss (dB) – Pre-Amplifier gain (dB).

3. When the peak results are less than average limit, so not need to evaluate the average.



Standard:	FCC Part 15.247	Test Distance:	3m
Test item:	Band edge	Power:	AC 120V/60Hz
Frequency:	2402MHz	Temp.(°C)/Hum.(%RH):	26(°C)/60%RH
Mode:	Mode 2	Date:	05/17/2016
Ant.Polar.:	Vertical		



No.	Frequency (MHz)	Reading (dBuV)	Correct Factor (dB/m)	Result (dBuV/m)	Limit (dBuV/m)	Margin (dB)	Remark
1	2389.750	49.28	-0.22	49.06	74.00	-24.94	peak
2	2390.000	46.53	-0.22	46.31	74.00	-27.69	peak

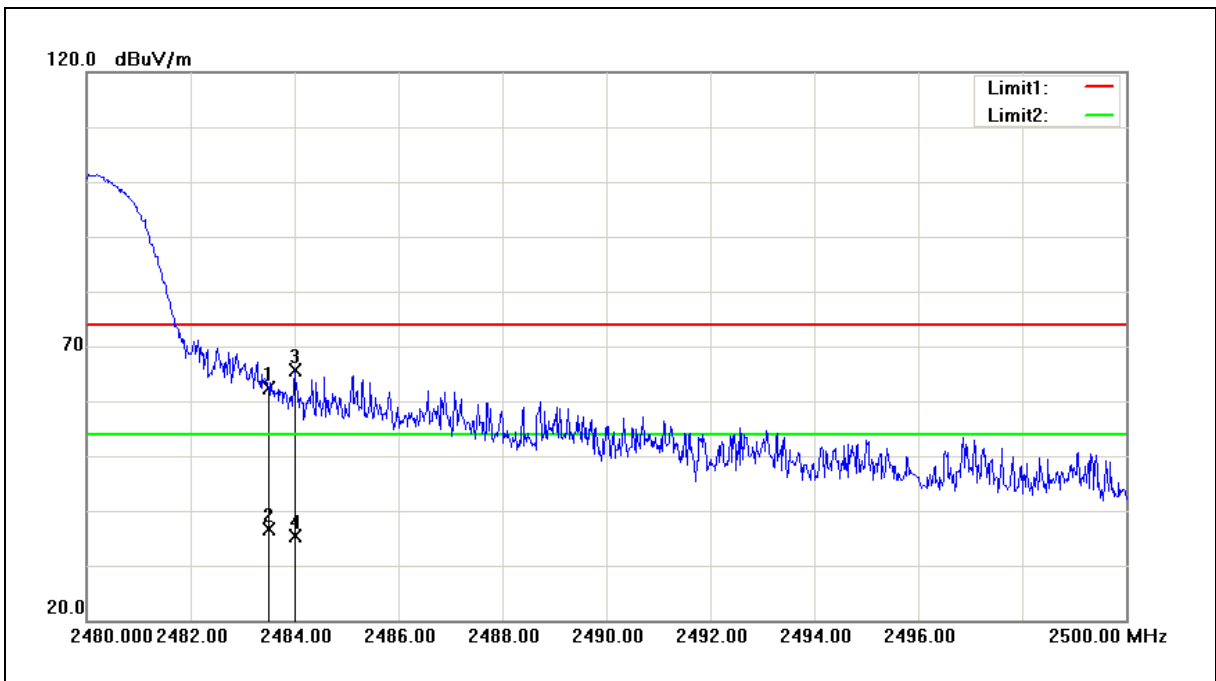
Note:1.Result (dBuV/m) = Correct Factor (dB/m) + Reading(dBuV).

2.Correction factor (dB/m) = Antenna Factor (dB/m) + Cable loss (dB) – Pre-Amplifier gain (dB).

3. When the peak results are less than average limit, so not need to evaluate the average.



Standard:	FCC Part 15.247	Test Distance:	3m
Test item:	Band edge	Power:	AC 120V/60Hz
Frequency:	2480MHz	Temp.(°C)/Hum.(%RH):	26(°C)/60%RH
Mode:	Mode 2	Date:	05/17/2016
Ant.Polar.:	Horizontal		



No.	Frequency (MHz)	Reading (dBuV)	Correct Factor (dB/m)	Result (dBuV/m)	Limit (dBuV/m)	Margin (dB)	Remark
1	2483.500	62.24	0.14	62.38	74.00	-11.62	peak
2	2483.500	36.57	0.14	36.71	54.00	-17.29	AVG
3	2484.000	65.38	0.14	65.52	74.00	-8.48	peak
4	2484.000	35.23	0.14	35.37	54.00	-18.63	AVG

Note:1.Result (dBuV/m) = Correct Factor (dB/m) + Reading(dBuV).

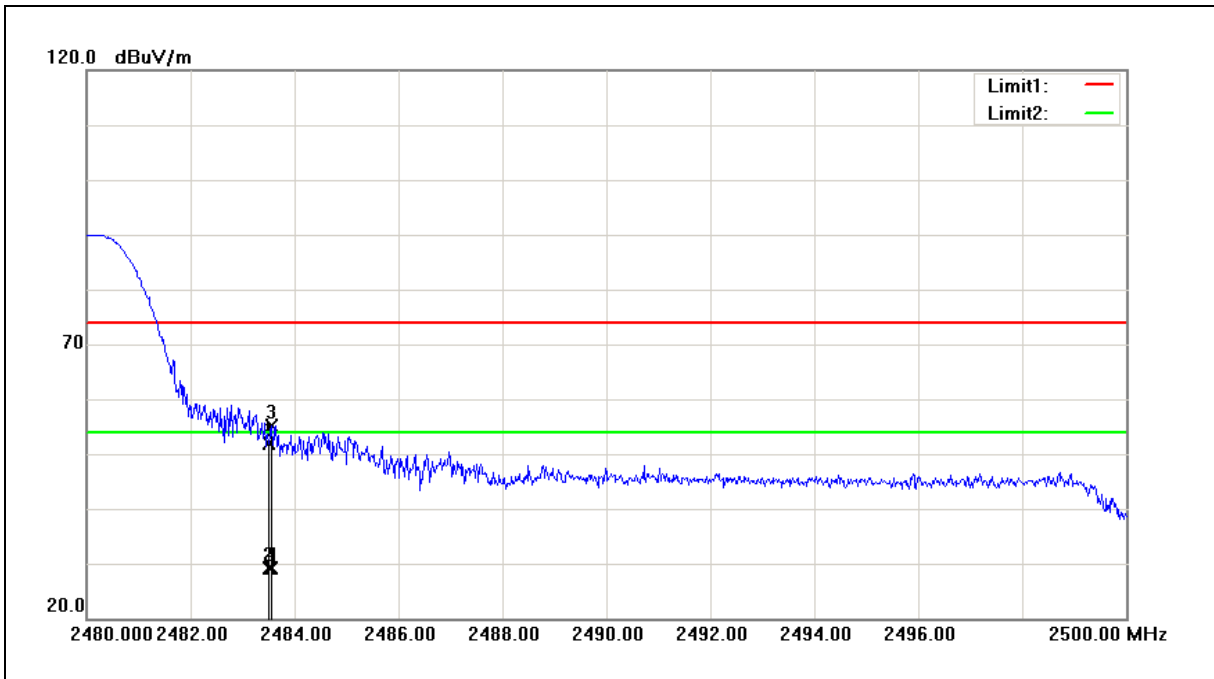
2.Correction factor (dB/m) = Antenna Factor (dB/m) + Cable loss (dB) – Pre-Amplifier gain (dB).

3. When the peak results are less than average limit, so not need to evaluate the average.





Standard:	FCC Part 15.247	Test Distance:	3m
Test item:	Band edge	Power:	AC 120V/60Hz
Frequency:	2480MHz	Temp.(°C)/Hum.(%RH):	26(°C)/60%RH
Mode:	Mode 2	Date:	05/17/2016
Ant.Polar.:	Vertical		



No.	Frequency (MHz)	Reading (dBuV)	Correct Factor (dB/m)	Result (dBuV/m)	Limit (dBuV/m)	Margin (dB)	Remark
1	2483.500	51.65	0.14	51.79	74.00	-22.21	peak
2	2483.500	29.10	0.14	29.24	54.00	-24.76	AVG
3	2483.560	55.01	0.14	55.15	74.00	-18.85	peak
4	2483.560	28.98	0.14	29.12	54.00	-24.88	AVG

Note:1.Result (dBuV/m) = Correct Factor (dB/m) + Reading(dBuV).

2.Correction factor (dB/m) = Antenna Factor (dB/m) + Cable loss (dB) – Pre-Amplifier gain (dB).

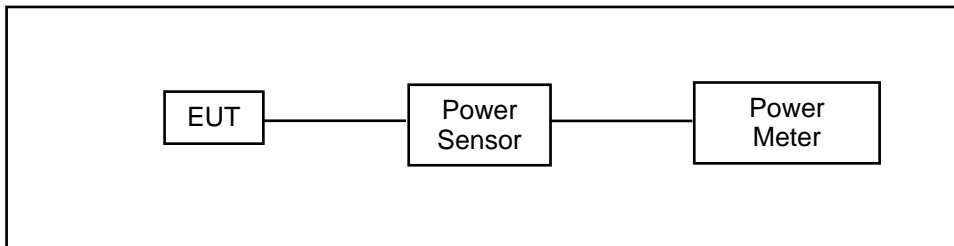
3. When the peak results are less than average limit, so not need to evaluate the average.

## 6 Maximum Conducted Output Power Measurement

### 6.1. Limit

For systems using digital modulation in the 2400-2483.5MHz, the limit for peak output power is 30dBm.

### 6.2. Test Setup



### 6.3. Test Instruments

Equipment	Manufacturer	Model Number	Serial Number	Cal. Date	Remark
Power Sensor	Anritsu	MA2411B	1126022	08/24/2015	1 year
Power Meter	Anritsu	ML2495A	1135009	08/24/2015	1 year
Microwave Cable	EMCI	EMC104-SM-S M-1500	140303	02/23/2016	1 year
Test Site	ATL	TE05	TE05	N.C.R.	-----

Note: N.C.R. = No Calibration Request.

### 6.4. Test Procedure

The tests below are run with the EUT's transmitter set at high power in TX mode. The EUT is needed to force selection of output power level and channel number. While testing, EUT was set to transmit continuously. Remove the Subjective device's antenna and connect the RF output port to power sensor..

### 6.5. Test Result

Frequency (MHz)	Average Power		Peak Power		Limit (dBm)
	(dBm)	(W)	(dBm)	(W)	
2402	-2.84	0.00052	-2.29	0.00059	< 30
2440	-1.35	0.00073	<b>-0.77</b>	<b>0.00084</b>	< 30
2480	-1.40	0.00072	-0.85	0.00082	< 30

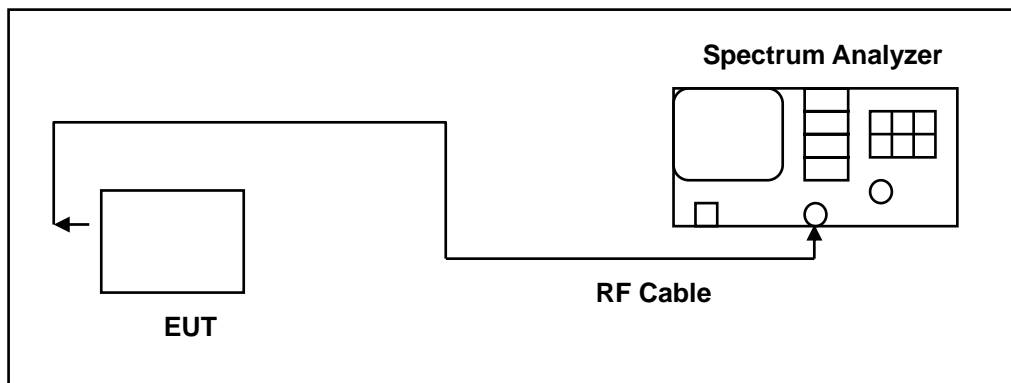
Note: The relevant measured result has the offset with cable loss already.

## 7 6dB RF Bandwidth Measurement

### 7.1. Limit

6dB RF Bandwidth: Systems using digital modulation techniques may operate in the 2400–2483.5 MHz bands. The minimum 6 dB band-width shall be at least 500 kHz.

### 7.2. Test Setup



### 7.3. Test Instruments

Equipment	Manufacturer	Model Number	Serial Number	Cal. Date	Remark
Spectrum Analyzer	Agilent	E4445A	MY45300744	12/15/2015	1 year
Microwave Cable	EMCI	EMC104-SM-S M-1500	140303	02/23/2016	1 year
Test Site	ATL	TE05	TE05	N.C.R.	-----

Note: N.C.R. = No Calibration Request.

### 7.4. Test Procedure

The EUT tested to DTS test procedure of KDB558074D01 for compliance to FCC 47CFR 15.247 requirements.

6dB RF Bandwidth: The antenna port of the EUT was connected to the input of a spectrum analyzer. Analyzer RBW was set to 100 kHz. For each RF output channel investigated, the spectrum analyzer center frequency was set to the channel carrier. A peak output reading was taken, a DISPLAY line was drawn 6 dB lower than peak level. The 6 dB bandwidth was determined from where the channel output spectrum intersected the display line.

The test was performed at 3 channels (Channel low, middle, high)



### 7.5. Test Result

Frequency (MHz)	Measurement Results (kHz)	Limit (kHz)
2402	689.900	> 500
2440	691.200	> 500
2480	696.500	> 500



### 7.6. Test Graphs

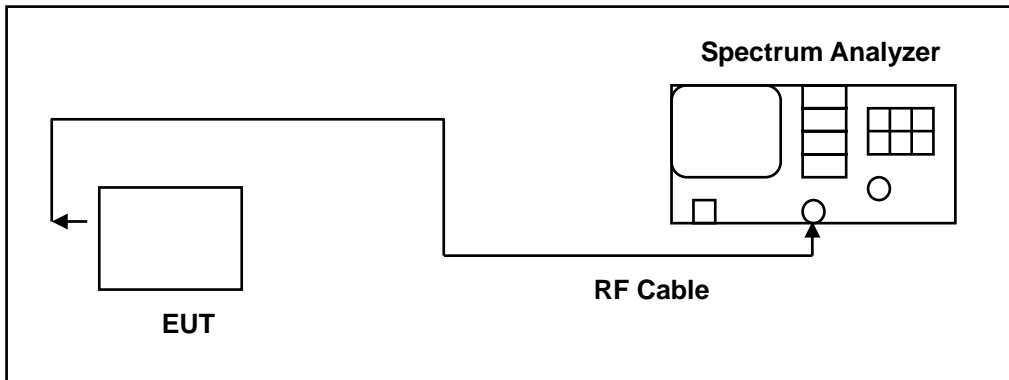
Mode 2: Bluetooth LE Link Mode													
2402 MHz	<p>Agilent Spectrum Analyzer - Occupied BW</p> <p>Center Freq: 2.402000000 GHz Trig: Free Run #Gain: Low #Atten: 10 dB Radio Std: None Avg/Hold: &gt; 10/10 Radio Device: BTS</p> <p>10 dB/div Ref 10.00 dBm</p> <p>Center 2.402 GHz #Res BW 100 kHz #VBW 300 kHz Span 3 MHz Sweep 1 ms</p> <table border="1"><tr><td>Occupied Bandwidth</td><td>Total Power</td></tr><tr><td>1.0461 MHz</td><td>3.93 dBm</td></tr><tr><td>Transmit Freq Error</td><td>OBW Power</td></tr><tr><td>9.434 kHz</td><td>99.00 %</td></tr><tr><td>x dB Bandwidth</td><td>x dB</td></tr><tr><td>689.9 kHz</td><td>-6.00 dB</td></tr></table>	Occupied Bandwidth	Total Power	1.0461 MHz	3.93 dBm	Transmit Freq Error	OBW Power	9.434 kHz	99.00 %	x dB Bandwidth	x dB	689.9 kHz	-6.00 dB
Occupied Bandwidth	Total Power												
1.0461 MHz	3.93 dBm												
Transmit Freq Error	OBW Power												
9.434 kHz	99.00 %												
x dB Bandwidth	x dB												
689.9 kHz	-6.00 dB												
2440 MHz	<p>Agilent Spectrum Analyzer - Occupied BW</p> <p>Center Freq: 2.440000000 GHz Trig: Free Run #Gain: Low #Atten: 10 dB Radio Std: None Avg/Hold: &gt; 10/10 Radio Device: BTS</p> <p>10 dB/div Ref 10.00 dBm</p> <p>Center 2.44 GHz #Res BW 100 kHz #VBW 300 kHz Span 3 MHz Sweep 1 ms</p> <table border="1"><tr><td>Occupied Bandwidth</td><td>Total Power</td></tr><tr><td>1.0439 MHz</td><td>7.56 dBm</td></tr><tr><td>Transmit Freq Error</td><td>OBW Power</td></tr><tr><td>-4.368 kHz</td><td>99.00 %</td></tr><tr><td>x dB Bandwidth</td><td>x dB</td></tr><tr><td>691.2 kHz</td><td>-6.00 dB</td></tr></table>	Occupied Bandwidth	Total Power	1.0439 MHz	7.56 dBm	Transmit Freq Error	OBW Power	-4.368 kHz	99.00 %	x dB Bandwidth	x dB	691.2 kHz	-6.00 dB
Occupied Bandwidth	Total Power												
1.0439 MHz	7.56 dBm												
Transmit Freq Error	OBW Power												
-4.368 kHz	99.00 %												
x dB Bandwidth	x dB												
691.2 kHz	-6.00 dB												
2480 MHz	<p>Agilent Spectrum Analyzer - Occupied BW</p> <p>Center Freq: 2.480000000 GHz Trig: Free Run #Gain: Low #Atten: 10 dB Radio Std: None Avg/Hold: &gt; 10/10 Radio Device: BTS</p> <p>10 dB/div Ref 10.00 dBm</p> <p>Center 2.48 GHz #Res BW 100 kHz #VBW 300 kHz Span 3 MHz Sweep 1 ms</p> <table border="1"><tr><td>Occupied Bandwidth</td><td>Total Power</td></tr><tr><td>1.0473 MHz</td><td>7.19 dBm</td></tr><tr><td>Transmit Freq Error</td><td>OBW Power</td></tr><tr><td>-4.254 kHz</td><td>99.00 %</td></tr><tr><td>x dB Bandwidth</td><td>x dB</td></tr><tr><td>696.5 kHz</td><td>-6.00 dB</td></tr></table>	Occupied Bandwidth	Total Power	1.0473 MHz	7.19 dBm	Transmit Freq Error	OBW Power	-4.254 kHz	99.00 %	x dB Bandwidth	x dB	696.5 kHz	-6.00 dB
Occupied Bandwidth	Total Power												
1.0473 MHz	7.19 dBm												
Transmit Freq Error	OBW Power												
-4.254 kHz	99.00 %												
x dB Bandwidth	x dB												
696.5 kHz	-6.00 dB												

## 8 Maximum Power Density Measurement

### 8.1. Limit

For digitally modulated systems, the power spectral density conducted from the intentional radiator to the antenna shall not be greater than 8 dBm in any 3 kHz band during any time interval of continuous transmission.

### 8.2. Test Setup



### 8.3. Test Instruments

Equipment	Manufacturer	Model Number	Serial Number	Cal. Date	Remark
Spectrum Analyzer	Agilent	E4445A	MY45300744	12/15/2015	1 year
Microwave Cable	EMCI	EMC104-SM-S M-1500	140303	02/23/2016	1 year
Test Site	ATL	TE05	TE05	N.C.R.	-----

Note: N.C.R. = No Calibration Request.

### 8.4. Test Procedure

The EUT tested to DTS test procedure of KDB558074D01 for compliance to FCC 47CFR 15.247 requirements.

1. Set analyzer center frequency to DTS channel center frequency.
2. Set the span to 1.5 times the DTS bandwidth.
3. Set the RBW to:  $3 \text{ kHz} \leq \text{RBW} \leq 100 \text{ kHz}$ .
4. Set the VBW  $\geq 3 \times \text{RBW}$ .
5. Detector = peak.
6. Sweep time = auto couple.
7. Trace mode = max hold.
8. Allow trace to fully stabilize.
9. Use the peak marker function to determine the maximum amplitude level within the RBW.
10. If measured value exceeds limit, reduce RBW (no less than 3 kHz) and repeat.



### 8.5. Test Result

Frequency (MHz)	Measurement Results (dBm/3KHz)	Limit (dBm)
2402	-18.238	< 8
2440	-16.516	< 8
2480	-16.667	< 8



### 8.6. Test Graphs

Mode 2: Bluetooth LE Link Mode	
2402 MHz	<p>Agilent Spectrum Analyzer - Sweep 54 Date: 04/14/2016 04:32:40 PM Mar 16, 2016 PRF: Wide IF Gain: Low Trig: Free Run Atten: 10 dB Avg Type: Log-Pwr Avg/Hold: &gt;100/100 Ref Offset: 0.6 dB Ref: 0.00 dB Mkr1 2.401 870 GHz -18.238 dBm Center 2.402000 GHz #Res BW 3.0 kHz #VBW 10 kHz Sweep 2.000 MHz Span 2.000 MHz MSG STATUS</p>
2440 MHz	<p>Agilent Spectrum Analyzer - Sweep 54 Date: 04/14/2016 04:45:33 PM Mar 16, 2016 PRF: Wide IF Gain: Low Trig: Free Run Atten: 10 dB Avg Type: Log-Pwr Avg/Hold: &gt;100/100 Ref Offset: 0.6 dB Ref: 0.00 dB Mkr1 2.439 996 GHz -16.516 dBm Center 2.440000 GHz #Res BW 3.0 kHz #VBW 10 kHz Sweep 2.000 MHz Span 2.000 MHz MSG STATUS</p>
2480 MHz	<p>Agilent Spectrum Analyzer - Sweep 54 Date: 04/14/2016 04:46:05 PM Mar 16, 2016 PRF: Wide IF Gain: Low Trig: Free Run Atten: 10 dB Avg Type: Log-Pwr Avg/Hold: 40/100 Ref Offset: 0.6 dB Ref: 0.00 dB Mkr1 2.479 870 GHz -16.667 dBm Center 2.480000 GHz #Res BW 3.0 kHz #VBW 10 kHz Sweep 2.000 MHz Span 2.000 MHz MSG STATUS</p>

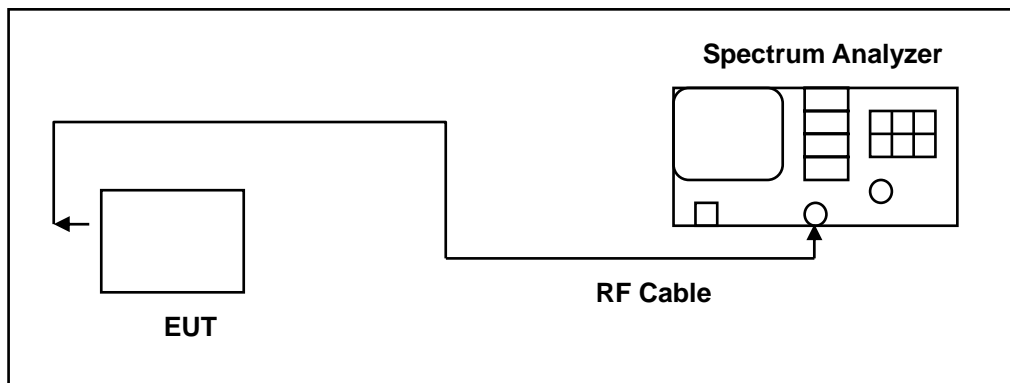


## 9 Out of Band Conducted Emissions Measurement

### 9.1. Limit

In any 100 kHz bandwidth outside the frequency band in which the spread spectrum or digitally modulated intentional radiator is operating, the radio frequency power that is produced by the intentional radiator shall be at least 20 dB below that in the 100 kHz bandwidth within the band that contains the highest level of the desired power

### 9.2. Test Setup



### 9.3. Test Instruments

Equipment	Manufacturer	Model Number	Serial Number	Cal. Date	Remark
Spectrum Analyzer	Agilent	E4445A	MY45300744	12/15/2015	1 year
Spectrum Analyzer	Agilent	E4408B	MY45107753	07/27/2015	1 year
Microwave Cable	EMCI	EMC104-SM-S M-1500	140303	02/23/2016	1 year
Test Site	ATL	TE05	TE05	N.C.R.	-----

Note: N.C.R. = No Calibration Request.

### 9.4. Test Procedure

In any 100 kHz bandwidth outside the EUT pass band, the RF power produced by the modulation products of the spreading sequence, the information sequence, and the carrier frequency shall be at least 20 dB below that of the maximum in-band 100 kHz emission, antenna output of the EUT was coupled directly to spectrum analyzer; if an external attenuator and/or cable was used, these losses are compensated for with the analyzer OFFSET function.

All other types of emissions from the EUT shall meet the general limits for radiated frequencies outside the pass band.

The test was performed at 3 channels.



### 9.5. Test Graphs

#### Reference level

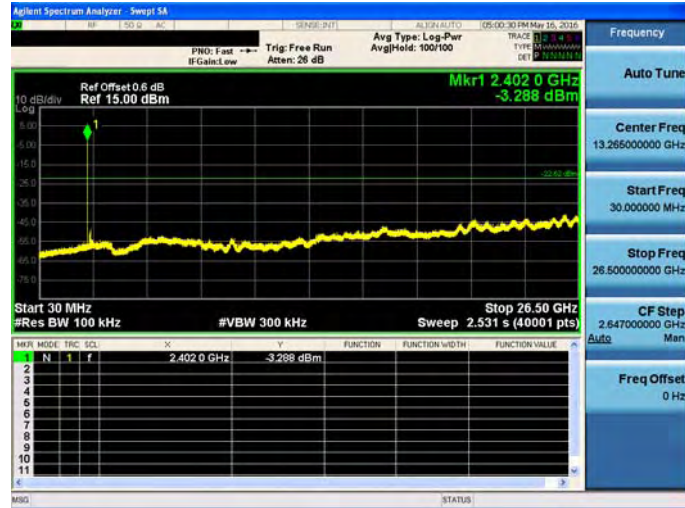
Mode 2: Bluetooth LE Link Mode	
2402 MHz	<p>Agilent Spectrum Analyzer - Sweep 54          Ref Offset 0.6 dB          Ref 15.00 dBm          Mkr1 2.402 006 GHz          -2.619 dBm          Center 2.402000 GHz          #Res BW 100 kHz          #VBW 300 kHz          Span 2.000 MHz          Sweep 1.000 ms (1001 pts)</p>
2440 MHz	<p>Agilent Spectrum Analyzer - Sweep 54          Ref Offset 0.6 dB          Ref 15.00 dBm          Mkr1 2.440 004 GHz          -1.121 dBm          Center 2.440000 GHz          #Res BW 100 kHz          #VBW 300 kHz          Span 2.000 MHz          Sweep 1.000 ms (1001 pts)</p>
2480 MHz	<p>Agilent Spectrum Analyzer - Sweep 54          Ref Offset 0.6 dB          Ref 15.00 dBm          Mkr1 2.480 004 GHz          -1.157 dBm          Center 2.480000 GHz          #Res BW 100 kHz          #VBW 300 kHz          Span 2.000 MHz          Sweep 1.000 ms (1001 pts)</p>



### Out of Band Conducted Emissions

Mode 2: Bluetooth LE Link Mode

2402 MHz



2440 MHz



2480 MHz

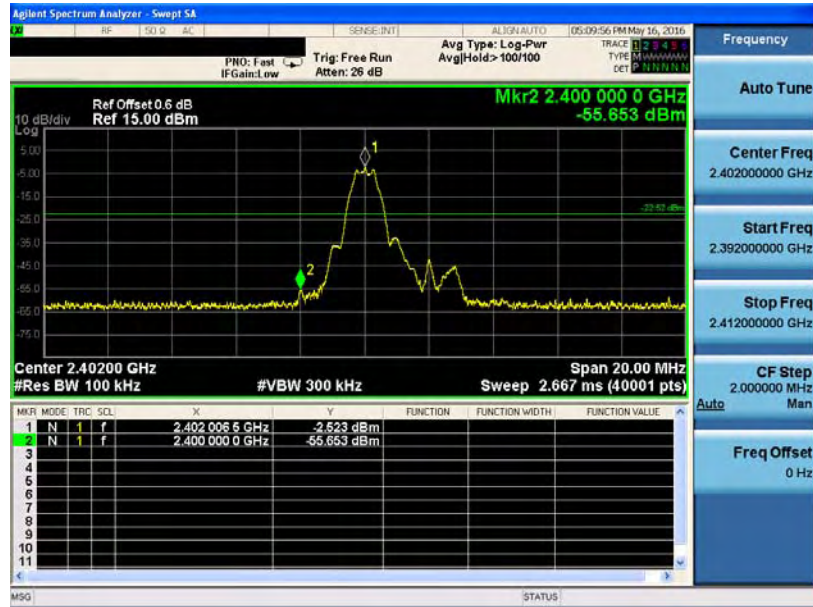




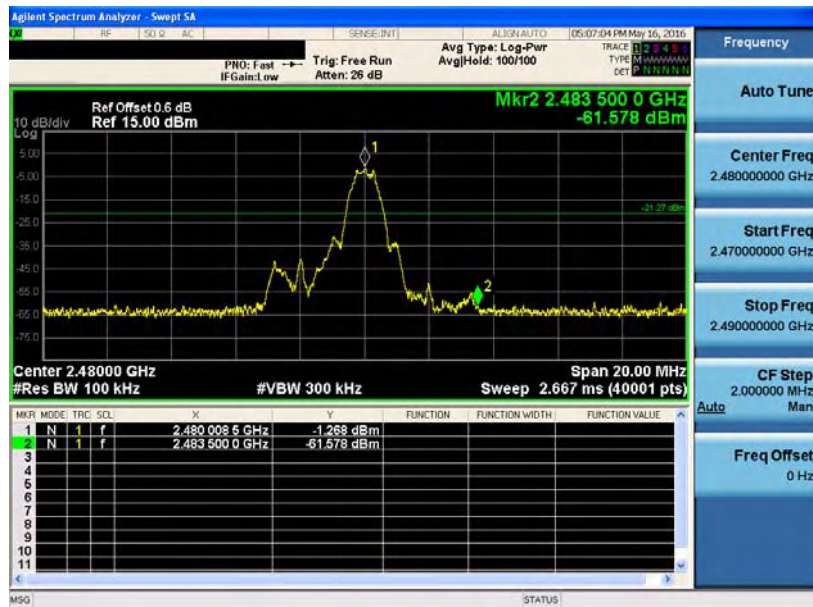
### Conducted Band Edge

Mode 2: Bluetooth LE Link Mode

2402 MHz



2480 MHz





## **10 Antenna Measurement**

### **10.1.Limit**

For intentional device, according to 15.203, an intentional radiator shall be designed to ensure that no antenna other than that furnished by the responsible party shall be used with the device.

And According to 15.247 (b), if transmitting antennas of directional gain greater than 6 dBi are used, the power shall be reduced by the amount in dB that the directional gain of the antenna exceeds 6dBi.

### **10.2.Antenna Connector Construction**

See section 2 – antenna information.