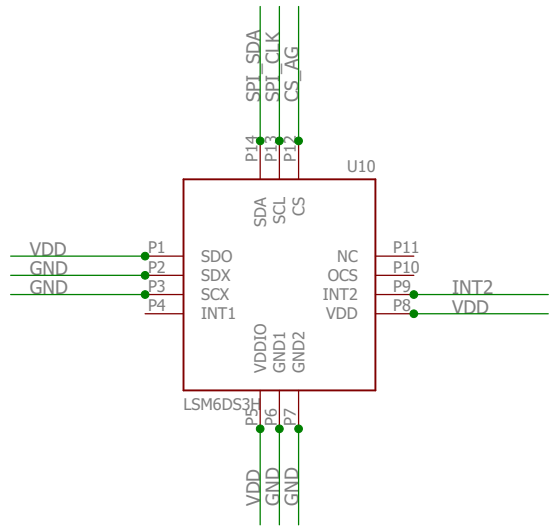


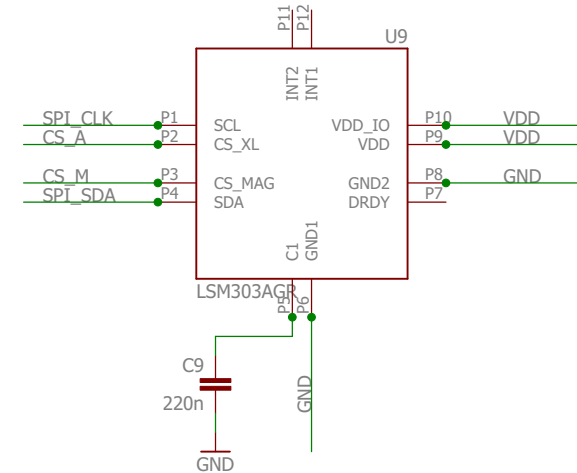
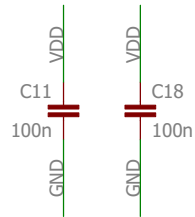
BlueNRG - Bluetooth Low-Energy Chip

BlueNRG-MS, Balun
and Antenna Tuning

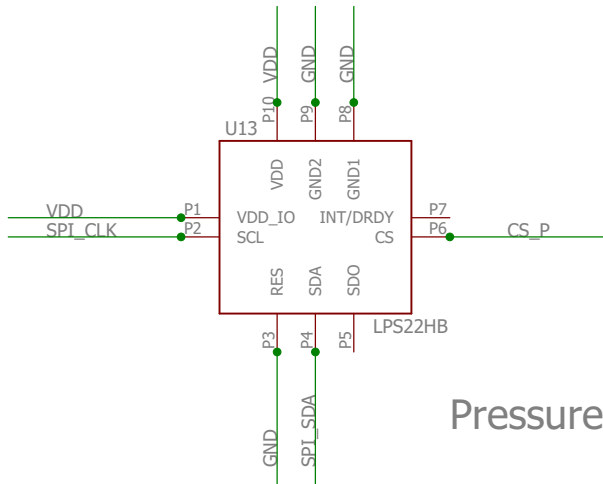
ST EVAL	RoHS Compliant	RoHS_E
STDK-STILECS01U1		
3/31/2016 2:39 PM		
Sheet: 1/4		3.92



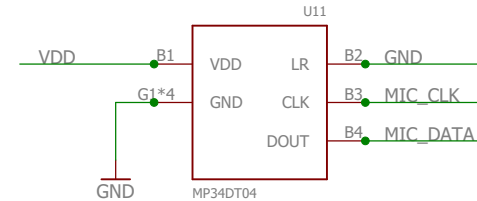
Accelerometer + Gyroscope



Accelerometer + Magnetometer

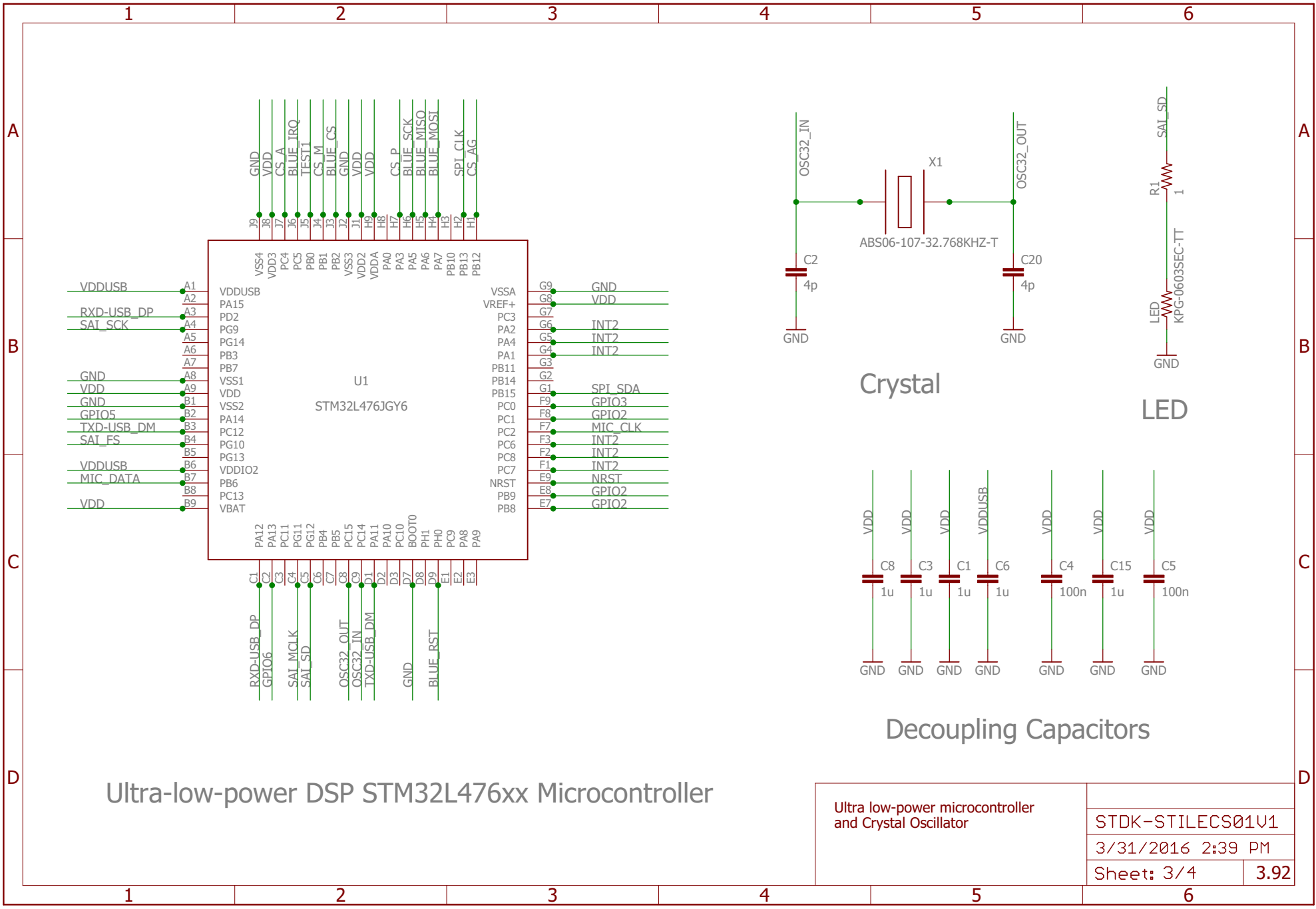


Pressure Sensor



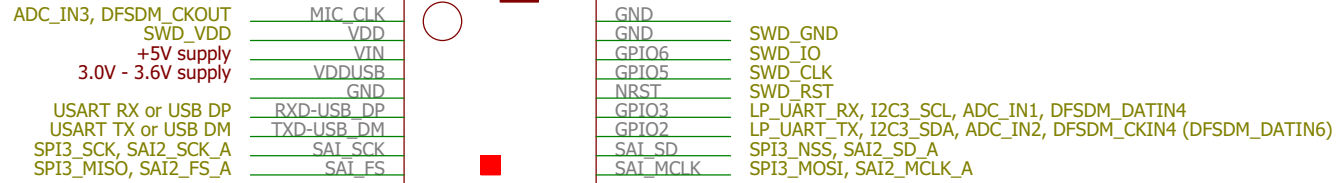
Digital Microphone

MEMS Sensors and Microphone

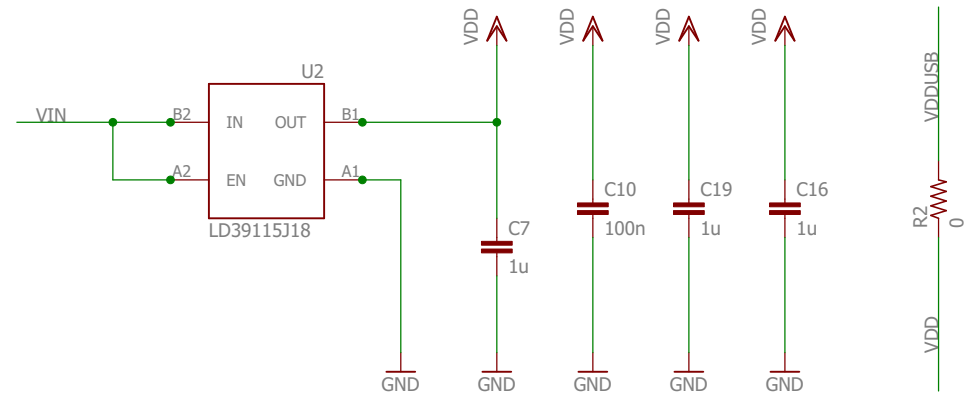


Ultra-low-power DSP STM32L476xx Microcontroller

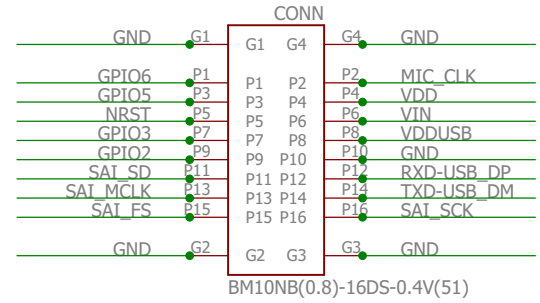
Ultra low-power microcontroller and Crystal Oscillator	STDK-STILECS01V1	
	3/31/2016 2:39 PM	
	Sheet: 3/4	3.92



Half-Moon Pin output



Low-Drop Out Voltage Regulator



Hirose bottom connector (optional)

Low-drop out voltage regulator and connectors	STDK-STILECS01U1	
	3/31/2016 2:39 PM	
	Sheet: 4/4	3.92