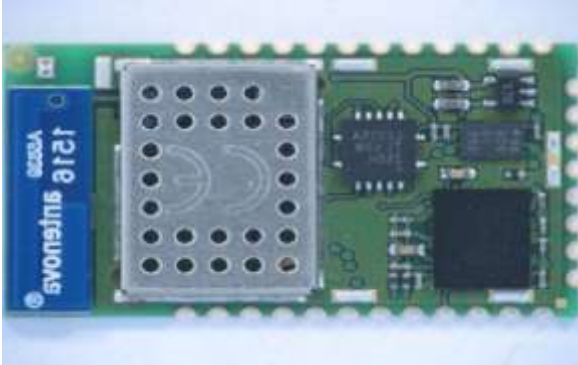


Serial-to-Wi-Fi b/g/n intelligent modules

Preliminary Datasheet



Features

- 2.4 GHz IEEE 802.11 b/g/n transceiver
- STM32 ARM Cortex-M4, with 256 KB RAM and 2 MB Flash memory
- Integrated TCP/IP protocol stack
 - 2 (TBC) simultaneous TCP or UDP clients and 2 (TBC) socket server
 - supporting up to TLS 1.2, including common encryption algorithms: AES (128, 256), hash (MD5, SHA-1, SHA-256) and public key algorithms (RSA, ECC)
 - Web server supporting dynamic web pages
- WEP/WPA/WPA2 personal and enterprise security
- System modes: Station, IBSS, and miniAP
- miniAP easily provisioned (SSID, PWD)
- Fast Wi-Fi reassociation after reset
- Firmware update via UART and Over The Air (FOTA)
- TX power
 - 18.3 dBm @ 1 Mbps DSSS
 - 13.7 dBm @ 54 Mbps OFDM
- RX sensitivity
 - -96.0 dBm @ 1 Mbps DSSS
 - -74.5 dBm @ 54 Mbps OFDM
- 16 configurable GPIOs available
- UART and SPI interface to host system
- Advanced low-power modes
 - Standby with RTC: 0.8mA (TBC)
 - Sleep connected (DTIM=1): 19 mA
 - RX traffic 113 mA typical
 - TX traffic 248 mA typical @ 18 dBm
- Simple AT command set host interface through UART
- Small form factor: 26.92 x 15.24 x 2.35 mm
- Single voltage supply (3.3 V typical)
- Multiple antenna options:
 - Integrated antenna (SPWF04SA versions)
 - Integrated u.fl connector (SPWF04SC versions)
- Industrial temperature range: -40 °C to 85 °C
- FCC/CE/IC/SRRC certified
- RoHS compliant
- Surface mount PCB module

Applications

- Smart appliances
- Industrial control and data acquisition
- Home automation and security systems
- Wireless sensors
- Cable replacement
- Medical equipment
- Machine-to-machine communication

1 Description

The SPWF04SA and the SPWF04SC intelligent Wi-Fi modules represent a plug-and-play and standalone 802.11 b/g/n solution for easy integration of wireless Internet connectivity features into existing or new products.

Configured around a single-chip 802.11 transceiver with integrated PA and comprehensive power management subsystem, and an STM32 microcontroller with an extensive GPIO suite, the modules also incorporate timing clocks and voltage regulators. Two different options exist based on the integrated Flash memory.

The module is available either configured with an embedded micro 2.45 GHz highly-efficient ISM band antenna (SPWF04SA), or with an u.fl connector for external antenna connection (SPWF04SC).

With low power consumption and ultra-compact (2.7 x 1.5 cm) footprint, the modules are ideal for fixed and mobile wireless applications, as well as challenging battery-operated applications.

The SPWF04Sx parts are released with an integrated full featured TCP/IP protocol stack with added web server and additional application service capabilities, such as REST API for accessing files on servers in the cloud and support for dynamic web pages with CGI/SSI functions to easily interact with the module and the host processor over the air.

For secure end-to-end communication with the cloud, an SSL/TLS stack is embedded in every module with no licensing charge. See application note AN4683 (TBC) for details.

The SW package also includes an AT command layer interface for user-friendly access to the stack functionalities via the UART serial port. For details, see user manual UM1695 (TBC).

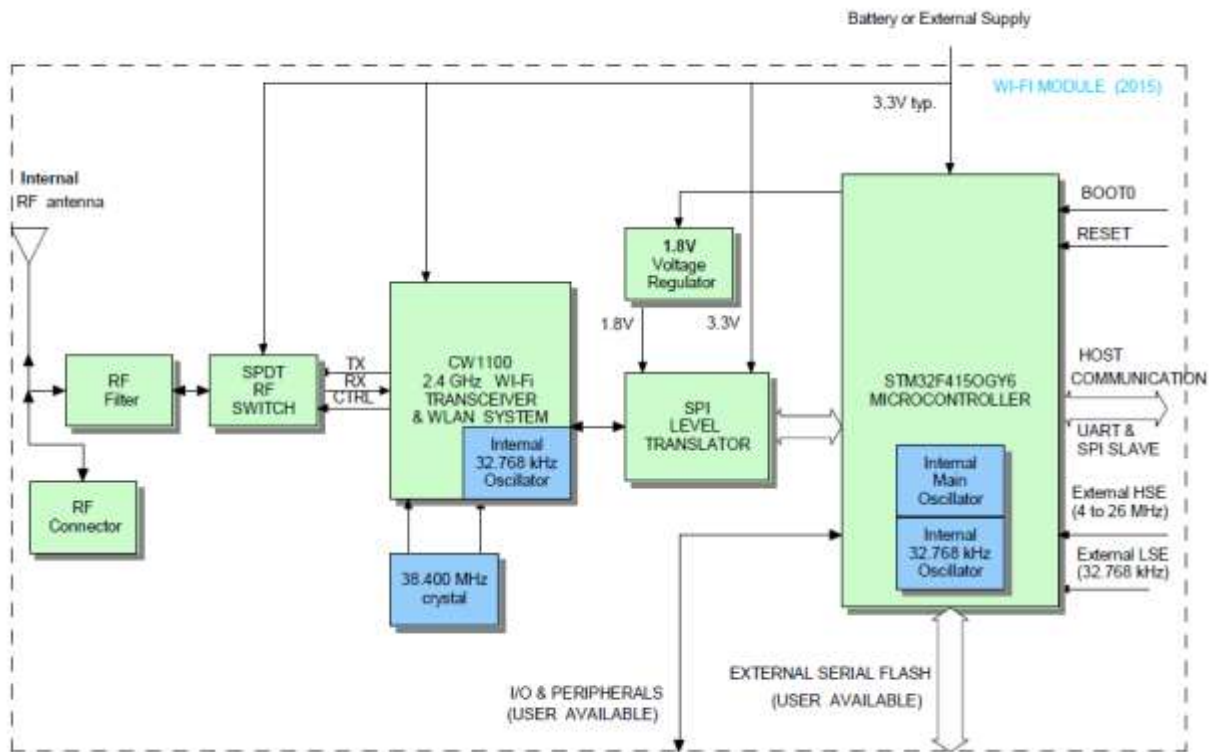
It is always possible to upgrade the module firmware via UART and Over The Air (FOTA).

Inside of the 2 MB extended Flash available on the SPWF04S module, 1 MB of the Flash is dedicated to FW upgrade and to host proprietary files, organized in a file system image, accessible through the integrated web server.

FOTA is also possible with the SPWF04Sx module.

ST may update the FW provided with the modules at any time. ST recommends that users regularly check for documentation and the current FW version available at www.st.com/wifimodules.

Figure 1. Block diagram



2 General electrical specifications

Table 1. Absolute maximum ratings

Parameter	Test condition/comment	Min.	Typ.	Max.	Unit
Voltage supply	-	-0.3	-	4.0	V
Vin for 5 V tolerant pins		-0.3		5.5	V
Vin for all other pins		-0.3		3.6	V
Storage temperature range		-55		105	°C

Table 2. Operating conditions and input power specifications⁽¹⁾

Parameter	Test condition/comment	Min.	Typ.	Max.	Unit			
Operating temperature range	Industrial	-40		85	°C			
3.3 V supply	Input supply voltage	3.3 V supply input		3.1	3.3	3.6	V	
	Standby	Both the STM32 and the radio are in standby power states			0.8		mA	
	Sleep	The STM32 is in stop power state and the radio is in sleep power state			19		mA	
	Low power state	The STM32 is active and the radio is in sleep power state			52		mA	
	TX	802.11b	TX power=0 dBm			236		mA
			TX power=10 dBm			250		mA
			TX power=18 dBm			344		mA
		802.11g	TX power=0 dBm			210		mA
			TX power=10 dBm			243		mA
			TX power=18 dBm			338		mA
RX	802.11b			105		mA		
	802.11g			105		mA		

1. Typical results are at room temperature only.

3 Digital interface specifications

Table 3. Digital interface specifications, I/O pins

Parameter		Test condition/comment	Min.	Typ.	Max.	Unit
Inputs	VIH		2.3	-	3.6	V
	VIL		0		0.9	V
Outputs	VOH	IOH=4 mA	2.4		3.6	V
	VOL	IOL=4 mA	0		0.4	V

4 RF characteristics

Table 4. RF characteristics

Parameter		Test condition/comment	Min.	Typ.	Max.	Unit
	11b, 1 Mbps			-96		dBm
RX sensitivity ⁽¹⁾	11b, 2 Mbps			-93		dBm
	11b, 5.5 Mbps			-91		dBm
	11b, 11 Mbps			-87		dBm
	11g, 9 Mbps			-89.5		dBm
	11g, 18 Mbps			-86		dBm
	11g, 36 Mbps			-80		dBm
	11g, 54 Mbps			-74.5		dBm
	11n, MCS1, 13 Mbps			-86.5		dBm
	11n, MCS3, 26 Mbps			-81.5		dBm
	11n, MCS5, 52 Mbps			-74		dBm
	11n, MCS7, 65 Mbps			-71		dBm
	Channel-to-channel de-sensitivity	CH1 to 14	11g, 54 Mbps, 10%PER		1	
Maximum input signal	CH7	11g, 54 Mbps		-20		dBm
Adjacent channel rejection	11Mbps			38		dBc
	9 Mbps			20		dBc
	54 Mbps			4		dBc
	MCS1			24		dBc
	MCS7			3		dBc
TX output power ⁽¹⁾	11b, 1 Mbps	@ 11b spectral mask		18.3		dBm
	11b, 11 Mbps			18.3		dBm
	11g, 9 Mbps	@ 11g spectral mask		18.3		dBm
	11g, 54 Mbps	EVM = -27 dB, 4.5%		13.7		dBm
	11n, MCS1	@ 11n spectral mask		18.3		dBm
	11n, MCS7	EVM = -27 dB		13.5		dBm
On-board antenna gain		Average		-1.2		dBi
External antenna gain		SG901-1066 average including cable loss		2.8		dBi

1. Output power and sensitivities are measured with a 50 Ω connection at the antenna port.

5 Pinout description

Table 5. Pinout description

Signal name	Type	Pin number	Main function	Alternate functions ⁽¹⁾	Notes
GPIO - general purpose input/output					
GPIO[0]	I/O	16	General purpose input/output Restore to factory settings ⁽²⁾		Input pull down and 5V tolerant
GPIO[1]	I/O	17	General purpose input/output/ADC		Input pull down and 5V tolerant
GPIO[2]	I/O	19	General purpose input/output/PWM		Floating and 5V tolerant
GPIO[3]	I/O	1	General purpose input/output		Input pull down and 5V tolerant
GPIO[6]	I/O	22	General purpose input/output Wake Up/Sleep Inhibit ⁽³⁾		Input pull down and 5V tolerant
GPIO[4]	I/O	18	General purpose input/output		
GPIO[5]	I/O	20	General purpose input/output		
GPIO[7]	I/O	13	General purpose input/output STA/Mini AP Switch/WPS Pushbutton ⁽⁴⁾		
GPIO[8]	I/O	4	General purpose input/output		
GPIO[9]	I/O	7	General purpose input/output/SPI nHostInterrupt		
GPIO[11]	I/O	11			
GPIO[12]	I/O	12	General purpose input/output		
GPIO[15]	I/O	21	General purpose input/output/DAC		
Monitoring purpose with no alternate function					
GPIO[10]	I/O	5	Drives LED, Blinks while running		
GPIO[13]	I/O	15	Drives LED, Wi-Fi link up		

Table 5. Pinout description (continued)

Signal name	Type	Pin number	Main function	Alternate functions ⁽¹⁾	Notes
GPIO[14]	I/O	14	LED drive, Power up		
UART pins					
RXD / MOSI	I	8			5V tolerant
TXD / MISO		6			5V Tolerant
CTS / nCS	I	9			Active low, 5V tolerant
RTS / CLK	O	10			5V tolerant
Reset					
RESETh	I	3	Reset input		Active low for 5 ms with pull up to 2.5VDC. Not 5V tolerant
Supply pins and paddle					
3.3 V		24	Voltage supply		Decouple with 10uF capacitor
Ground		23	Ground		
LSE		34			
HSE		35			
SWD I/O		26			
SWD CLK		29			
GPIO16		27		Not available	
GPIO17		28		Not available	
GPIO18		30		Not available	
SDIO CLK / SPI CLK		31			
SDIO D0 / SPI MISO		32			
SDIO CMD / SPI MOSI		33			
Ground Paddle		25	Ground		Add plenty of ground vias for thermal dissipation and ground return
Boot loader					
BOOT0	I	2	Boot loader ⁽⁵⁾		

1. The activation of ALT function depends upon the firmware version or upon the variable configuration.
2. To perform the factory reset of the variables, pin GPIO0 must be high during powerup.
3. GPIO function running when low power mode variable is enabled.
4. Introduced with the release 3.0 of AT Full stack. To enable the STAToMiniAP switch the GPIO[7] needs to be put low together with the HW reset



5. To enable the firmware download, pin BOOT0 needs to be high during power up. RESETn need to be pulled low at least 5 ms to initiate the firmware download sequence.

Application guidelines

The HOST processor should control the RESETn pin of the module in order to recover from unexpected behavior using the HW reset.

6 Module reflow

The SPWF04SA and SPWF04SC are surface mount modules with a 6-layer PCB. The recommended final assembly reflow profiles are indicated below.

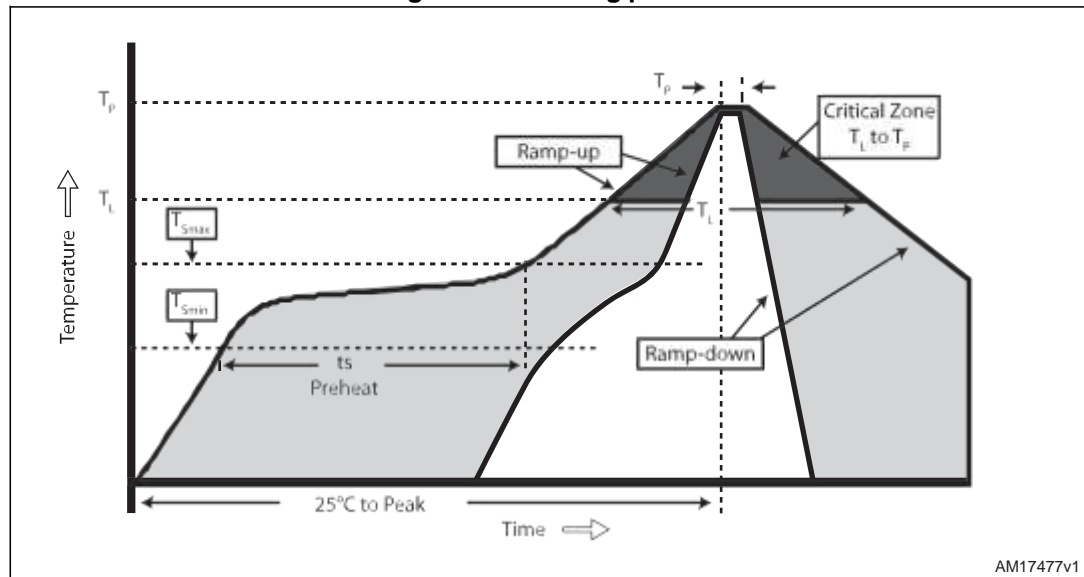
The soldering phase must be executed with care: in order to prevent an undesired melting phenomenon, particular attention must be paid to the setup of the peak temperature.

The following are some suggestions for the temperature profile based on the IPC/JEDEC J-STD-020C, July 2004 recommendations.

Table 6. Soldering values

Profile feature	PB-free assembly
Average ramp-up rate (T_{SMAX} to T_P)	3 °C/sec max
Preheat: – Temperature min. (T_s min.) – Temperature max. (T_s max.) – Time (T_s min. to T_s max) (ts)	150 °C 200 °C 60-100 sec
Critical zone: Temperature T_L Time T_L	217 °C 60-70 sec
Peak temperature (T_P)	240 + 0 °C
Time within 5 °C of actual peak temperature (T_P)	10-20 sec
Ramp-down rate	6 °C/sec
Time from 25 °C to peak temperature	8 minutes max.

Figure 2. Soldering profile



AM17477v1

7 Regulatory compliance

RF compliance

The RF certifications obtained are described in [Table 7](#) below.

Table 7. RF certification summary

		Comment
FCC ID	S9NSPWFS04	On board antenna and external ANTENOVA TITANIS with connector version
IC ID	8976C-SPWFS04	On board antenna and external ANTENOVA TITANIS with connector version
ETSI	Compliant	Approved with on board antenna and connector version

This radio transmitter IC ID 8976-SPWFS04 has been approved by Industry Canada to operate with the antenna types listed below with the maximum permissible gain indicated. Antenna types not included in this list, having a gain greater than the maximum gain indicated for that type, are strictly prohibited for use with this device.

Note: The TITANIS antenna from ANTENOVA. is the only approved antenna using the u.fl connector version.

Product Name	Titanis 2.4 GHz
Article No.	2010B4844-01 (Standard)
	2010B6090-01 (Reverse thread)
Frequency	2.4-2.5 GHz
Polarization	Linear
Operating temperature	-40 to + 85 degC
Impedance	50 Ohm
Weight	7.4 gram
Antenna type	Swivel

	Characteristics			Conditions*
	Min	Typ	Max	
Peak Gain	4.0 dBi	4.1 dBi	4.4 dBi	Frequency 2.4-2.5 GHz, Measured in 3D chamber (near field)
Efficiency	80%	85%	90%	
VSWR	1.1:1	1.2:1	1.3:1	Frequency 2.4-2.5 GHz, Measured in Network Analyzer

*Note all data provided in this table are based on the Antenova reference board

FCC and IC

This module has been tested and complies with the FCC part 15 and IC RSS-247 regulations. These limits are designed to provide reasonable protection against harmful interference in approved installations. This equipment generates, uses, and can radiate radio frequency energy and, if not installed and used in accordance with the instructions, may cause harmful interference to radio communications.

However, there is no guarantee that interference will not occur in a particular installation.

This device complies with part 15 of the FCC rules. Operation is subject to the following two conditions:

1. The device must not cause harmful interference.

and

2. The device must accept any interference received, including interference that may cause undesired operation.

Modifications or changes to this equipment not expressly approved by the party responsible for compliance may render void the user's authority to operate this equipment.

The safe user distance, for RF Exposure, is $\geq 50\text{mm}$ (in compliance with 447498 D01 General RF Exposure Guidance v06 and RSS-102 Issue 5).

Modular approval, FCC and IC

- FCC ID: S9NSPWFS04
- IC: 8976C-SPWFS04

In accordance with FCC part 15, the modules SPWF04SA and SPWF04SC are listed above as a modular transmitter device.



Labeling instructions

When integrating the SPWF04SA and SPWF04SC into the final product, it must be ensured that the FCC and IC labeling requirements specified below are satisfied. Based on the Public Notice from FCC, the product into which the ST transmitter module is installed must display a label referring to the enclosed module. The label should use wording like the following:

Contains Transmitter Module

- FCC ID: S9NSPWFS04
- IC: 8976C-SPWFS04

Any similar wording that expresses the same meaning may also be used.

CE

This module complies with the following European EMI/EMC and safety directives and standards:

- ETSI EN 300 328 V1.8.1:2012
- EN 301 489-1 V1.9.2:2011 + EN 301 489-17 V2.2.1:2009
- EN 60950-1:2006 + A11:2009 + A1:2010 + A12:2011 + A2:2013
- EN 62479:2010

Figure 3. CE certified



SRRC (T.B.C.)

The SPWF04Sx module complies with Chinese SRRC certification.

- SRRC CMIIT ID: (T.B.D.)

(See the A.1 at the bottom of this document for the French translation)

8 Package information

In order to meet environmental requirements, ST offers these devices in different grades of ECOPACK® packages, depending on their level of environmental compliance. ECOPACK® specifications, grade definitions and product status are available at: www.st.com. ECOPACK® is an ST trademark.

Figure 4. Top view of the module shield

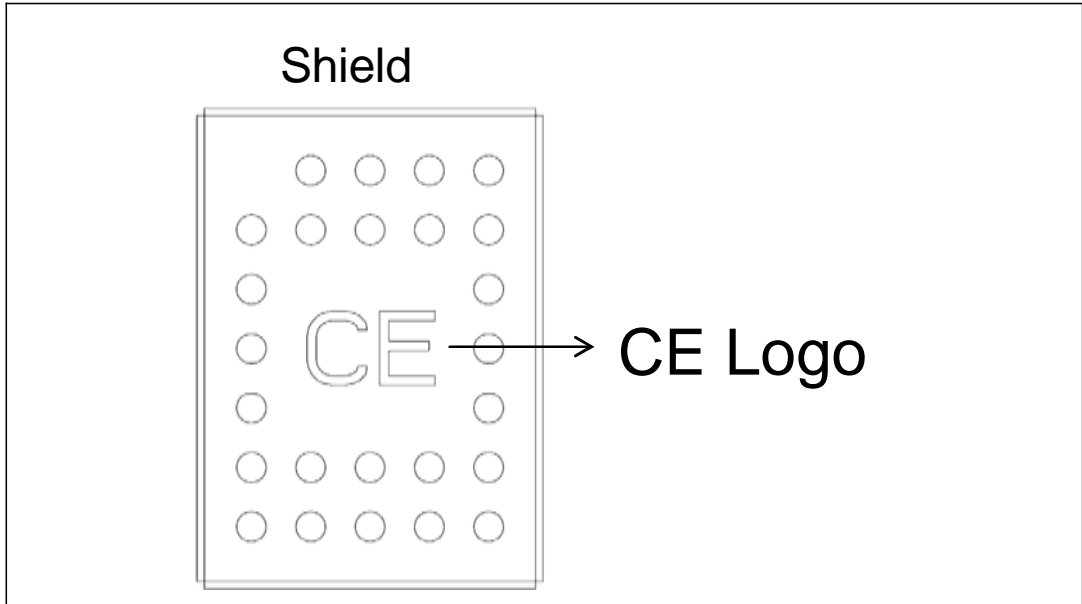


Figure 5. Bottom view of the module

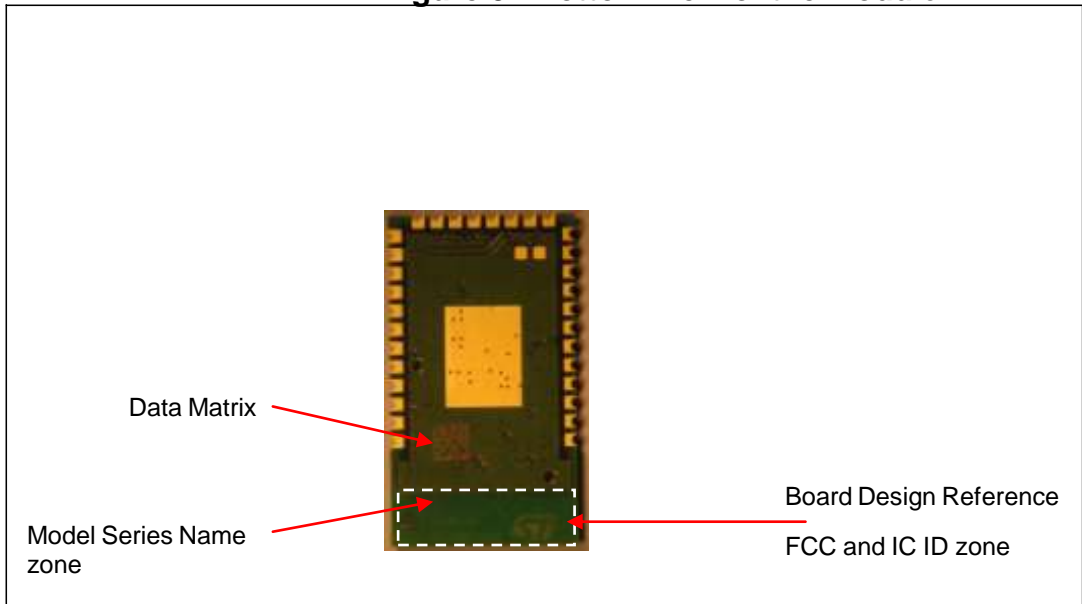
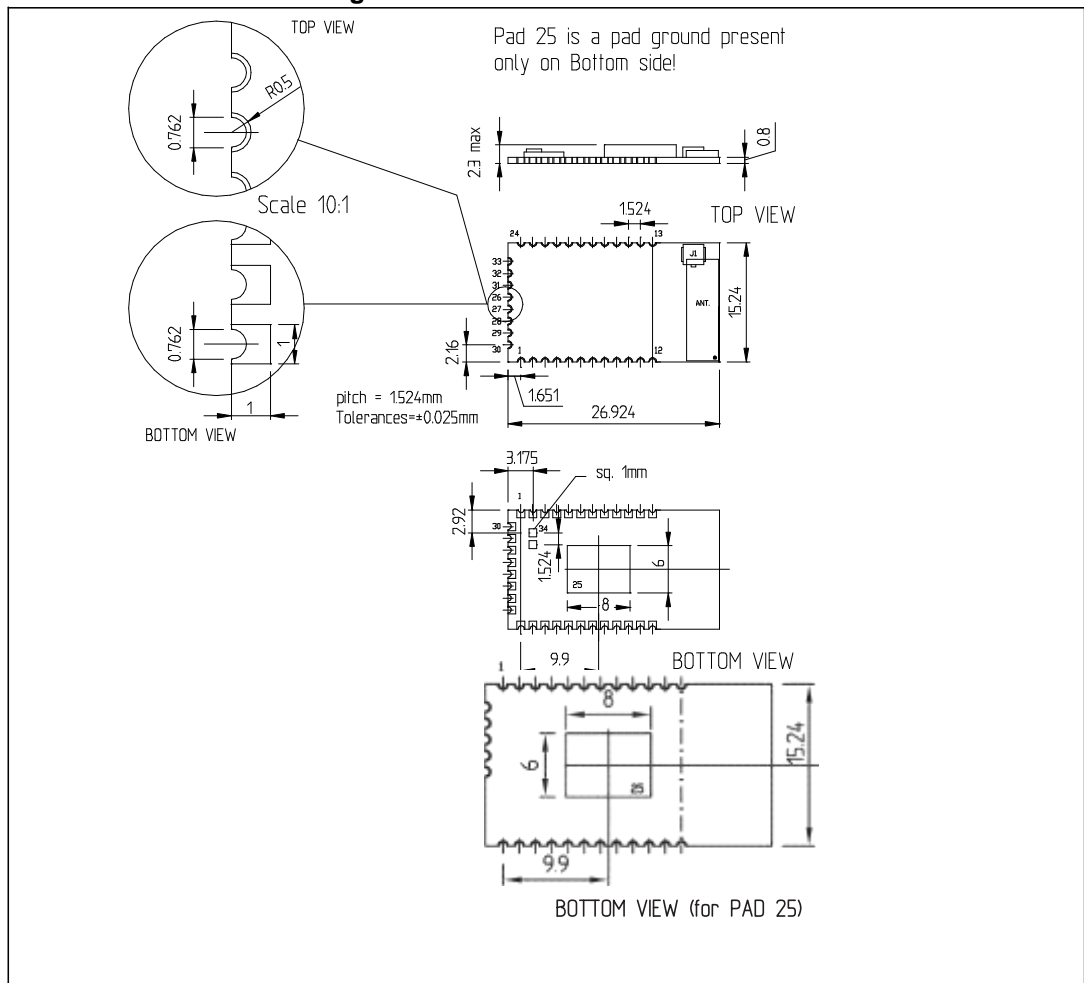
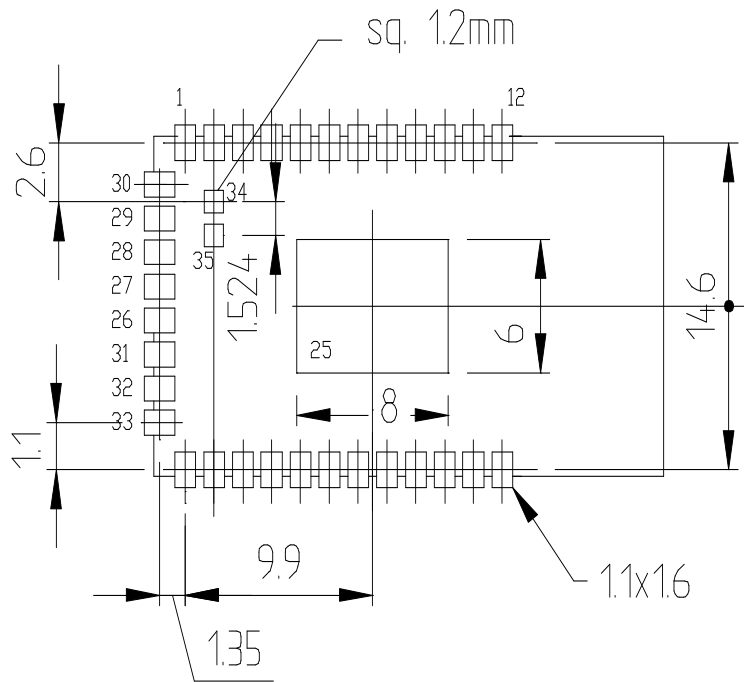


Figure 6. Wi-Fi module dimensions



Note: An antenna area of 217 x 520 mils must be free of any ground metalization or traces under the unit. The area extending away from the antenna should be free from metal on the PCB and housing to meet expected performance levels. Pin 25 is the required paddle ground and is not shown in this diagram.

Figure 7. Wi-Fi module footprint



RECOMMENDED LAND PATTERN TOP VIEW

PCB design requires a detailed review of the center exposed pad. This pad requires good thermal conductivity. Soldering coverage should be maximized and checked via x-ray for proper design. There is a trade-off between providing enough soldering for conductivity and applying too much, which allows the module to “float” on the paddle creating reliability issues. ST recommends two approaches, a large center via that allows excess solder to flow down into the host PCB with smaller vias around it, or many smaller vias with just enough space for the viscosity of the chosen solder/flux to allow some solder to flow into the smaller vias.

Either of these approaches must result in 60% or more full contact solder coverage on the paddle after reflow. ST strongly encourages PCB layout teams to work with their EMS providers to ensure vias and solder paste designs that will result in satisfactory performance.

9 Ordering information

Table 8. Ordering information

Order codes	Description
SPWF04SA	Wi-Fi module with integrated antenna, 1 MB of Flash and Wi-Fi full stack
SPWF04SC	Wi-Fi module with integrated ufl connector, 1 MB of Flash and Wi-Fi full stack

Note: Refer to the user manual for a complete list of features and commands available in the Wi-Fi full stack.

A.1.2 Instructions pour l'utilisation du produit

La présente section concerne les produits finis contenant le module SPWF04SA/C, assujettis aux normes FCC. Le manuel du produit final doit contenir la déclaration suivante (ou une mention analogue que recouvre la même notion):

“ Avertissement: Les changements ou modifications non expressément approuvés par la partie responsable de la conformité pourraient annuler l'autorisation de l'utilisateur de faire fonctionner cet équipement. (Section 15.21)”

Dans le cas où le produit fini d'un fabricant OEM rentre dans les limites de la Classe B (résidentiel), les énoncés suivants doivent être inclus dans le manuel du produit fini:

“Remarque : Cet équipement a été testé et déclaré conforme aux limitations prévues dans le cadre de la classe B des appareils numériques, définies par la section 15 du règlement de la FCC. Ces limites sont conçues pour fournir une protection raisonnable contre toute interférence dangereuse issue d'une installation résidentielle. Cet équipement produit, utilise et peut émettre de l'énergie radio électrique et, s'il n'est pas installé et utilisé conformément aux présentes instructions, peut causer des interférences nuisibles aux communications radio. Cependant, il se peut que des interférences se produisent dans une installation particulière. Si cet appareil cause des interférences nuisibles à la réception des signaux de radio ou de télévision, ce qui peut être déterminé en allumant et en éteignant l'appareil, on encourage l'utilisateur d'essayer de corriger ces interférences par l'un des moyens suivants:

- Réorienter ou repositionner l'antenne de réception.*
- Augmenter la distance séparant l'équipement du récepteur.*
- Connecter l'équipement à une prise appartenant à un circuit différent de celui sur lequel le récepteur est connecté.*
- Consulter le revendeur ou un technicien radio/TV expérimenté pour obtenir de l'aide.”*

Dans le cas où le produit fini d'un sous-traitant rentre dans les limites imposées aux appareils numériques de classe A, les énoncés suivants doivent être inclus dans le manuel du produit fini:

“REMARQUE : Cet appareil a été testé et certifié conforme aux spécifications d'un appareil électronique de classe A (class A digital device), conformément à la partie 15 du règlement de la FCC. Ces contraintes sont destinées à fournir une protection raisonnable contre les interférences nuisibles quand l'appareil est utilisé dans une installation commerciale. Cet équipement produit, utilise et peut émettre de l'énergie radio électrique et, s'il n'est pas installé et utilisé conformément aux présentes instructions, peut causer des interférences nuisibles aux communications radio. L'utilisation de cet appareil dans une installation résidentielle peut entraîner des interférences nuisibles et l'utilisateur devra corriger les interférences à ses propres frais.”

A.2 Certification IC (a)

Le module SPWF04SA/C a été testé et déclaré conforme avec la Règlementation IC CNR-210. Ces limitations sont stipulées afin de procurer une protection raisonnable contre les interférences gênantes en installations approuvées. Cet appareil génère, utilise et diffuse des ondes radio et, s'il n'est pas installé et utilisé en conformité avec les instructions dont il fait l'objet, peut causer des interférences gênantes sur les communications radio.

Il n'y a cependant pas de garantie qu'une interférence ne se produira pas dans une installation particulière.

Ce produit répond aux exigences de la norme CNR-210 d'Industrie Canada. Son fonctionnement est soumis aux deux conditions suivantes:

- (1) cet appareil ne doit pas causer d'interférences nocives, et
- (2) Cet appareil doit supporter toute interférence reçue, y compris des interférences qui peuvent provoquer un fonctionnement non désiré.

Tout changement ou modification fait(e) à cet appareil et non expressément approuvé(e) par STMicroelectronics peut annuler l'autorisation pour l'utilisateur de faire fonctionner l'appareil.

Approbation du module

IC: 8976C-SPWFS04

Conformément à IC CNR-210, le module SPWF04SA/C est répertorié comme un dispositif émetteur modulaire

Ce module n'est évalué que pour une utilisation autonome. Les produits finis incorporant plusieurs émetteurs doivent être conformes à la colocation et aux exigences d'exposition RF en concordance avec les procédures FCC multi-émetteurs. D'autres émetteurs fonctionnant dans des dispositifs portables exposés aux RF (par exemple, situés à moins de 20 cm des personnes avec dispositifs portatifs ou portés contre le corps) peuvent nécessiter d'une approbation séparée.

A.2.1 Instructions d'étiquetage

Lors de l'intégration du module SPWF04SA/C dans le produit final, le fabricant doit s'assurer que les exigences en matière d'étiquetage de la IC sont satisfaites. Une déclaration doit être placée sur l'étiquette extérieure du produit final indiquant que le produit comprend un module certifié. L'étiquette doit comporter les informations suivantes (ou une mention analogue que recouvre la même notion):

Contient IC ID: 8976C-SPWFS04

OU Ce produit contient IC ID: 8976C-SPWFS04

Le sous-traitant doit inclure les énoncés suivants sur l'étiquette extérieure du produit final à moins que le produit ne soit trop petit (par exemple moins de 4 x 4 pouces):

Cet appareil est en conformité aux normes IC. L'utilisation est soumise aux deux conditions suivantes:

- (1) cet appareil ne doit pas causer d'interférences nocives, et
- (2) Cet appareil doit supporter toute interférence reçue, y compris des interférences qui peuvent provoquer un fonctionnement non désiré

A.2.2 Instructions pour l'utilisation du produit

La présente section concerne les produits finis contenant le module SPWF04SA/C, assujettis aux normes IC. Le manuel du produit final doit contenir la déclaration suivante (ou une mention analogue que recouvre la même notion):

“Avertissement: Les changements ou modifications non expressément approuvés par la partie responsable de la conformité pourraient annuler l'autorisation de l'utilisateur de faire fonctionner cet équipement. (CNR-210)”

Dans le cas où le produit finis d'un fabricant OEM rentre dans les limites de la Classe B (résidentiel), les énoncés suivants doivent être inclus dans le manuel du produit finis:

“ Remarque : Cet équipement a été testé et déclaré conforme aux limitations prévues dans le cadre de la classe B des appareils numériques, définies par la norme CNR-210 d'Industrie Canada.



Ces limites sont conçues pour fournir une protection raisonnable contre toute interférence dangereuse issue d'une installation résidentielle. Cet équipement produit, utilise et peut émettre de l'énergie radio électrique et, s'il n'est pas installé et utilisé conformément aux présentes instructions, peut causer des interférences nuisibles aux communications radio. Cependant, il se peut que des interférences se produisent dans une installation particulière. Si cet appareil cause des interférences nuisibles à la réception des signaux de radio ou de télévision, ce qui peut être déterminé en allumant et en éteignant l'appareil, nous encourageons l'utilisateur à essayer de corriger ces interférences par l'un des moyens suivants:

- Réorienter ou repositionner l'antenne de réception.
- Augmenter la distance séparant l'équipement du récepteur.
- Connecter l'équipement à une prise appartenant à un circuit différent de celui sur lequel le récepteur est connecté.
- Consulter le revendeur ou un technicien radio/TV expérimenté pour obtenir de l'aide."

Dans le cas où le produit finis d'un fabricant OEM rentre dans le cadre des limites imposées aux appareils numériques de classe A, les énoncés suivants doivent être inclus dans le manuel du produit finis:

" REMARQUE: Cet appareil a été testé et certifié conforme aux spécifications d'un appareil électronique de classe A (class A digital device), conformément à la norme CNR-210 d'Industrie Canada. Ces contraintes sont destinées à fournir une protection raisonnable contre les interférences nuisibles quand l'appareil est utilisé dans une installation commerciale. Cet équipement produit, utilise et peut émettre de l'énergie radio électrique et, s'il n'est pas installé et utilisé conformément aux présentes instructions, peut causer des interférences nuisibles aux communications radio. L'utilisation de cet appareil dans une installation résidentielle peut entraîner des interférences nuisibles et l'utilisateur devra corriger les interférences à ses propres frais."

A.3 Certification CE

Le module SPWF04SA/C a obtenu une certification de conformité aux normes suivantes:

- EN 300 328 V1.8.1 :2012
- EN 300 328 V1.9.1 :2015
- EN 301 489-17 V2.2.1 :2009
- EN 301 489-1 V1.9.2:2011
- EN 62479 :2010
- EN60950-1:2006 + A11:2009 + A1:2010 + A12:2011 + A2 :2013

Le module est certifié CE:

CE0051

10 Revision history

Table 9. Document revision history

Date	Revision	Changes
27-Apr-2016	1	Initial release.
		-

IMPORTANT NOTICE – PLEASE READ CAREFULLY

STMicroelectronics NV and its subsidiaries ("ST") reserve the right to make changes, corrections, enhancements, modifications, and improvements to ST products and/or to this document at any time without notice. Purchasers should obtain the latest relevant information on ST products before placing orders. ST products are sold pursuant to ST's terms and conditions of sale in place at the time of order acknowledgement.

Purchasers are solely responsible for the choice, selection, and use of ST products and ST assumes no liability for application assistance or the design of Purchasers' products.

No license, express or implied, to any intellectual property right is granted by ST herein.

Resale of ST products with provisions different from the information set forth herein shall void any warranty granted by ST for such product.

ST and the ST logo are trademarks of ST. All other product or service names are the property of their respective owners.

Information in this document supersedes and replaces information previously supplied in any prior versions of this document.

© 2016 STMicroelectronics – All rights reserved