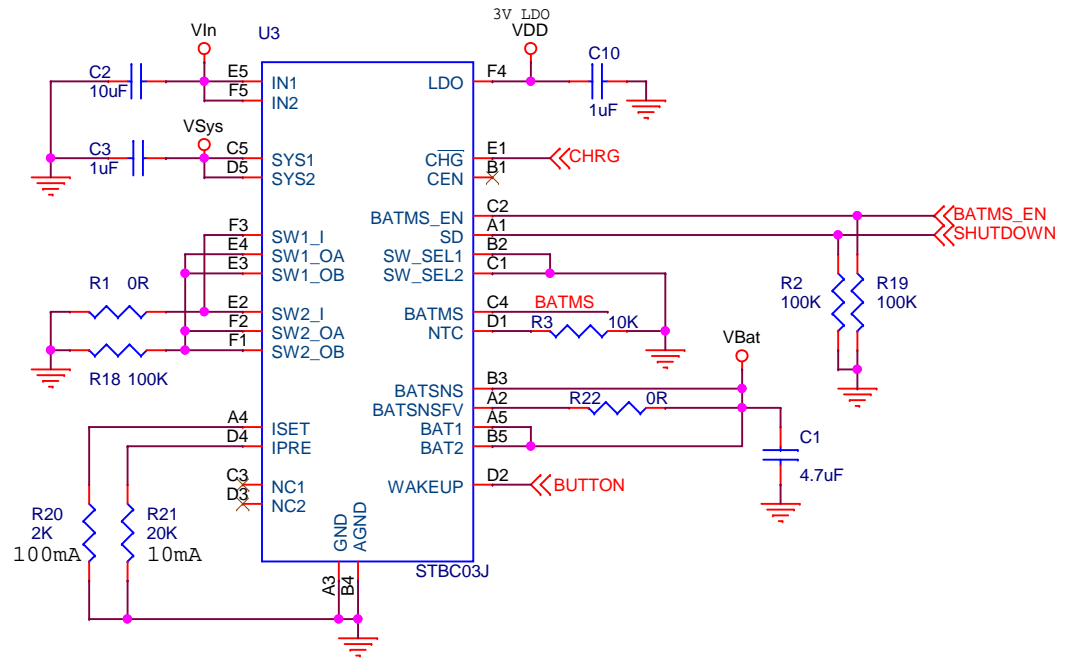


VBat --> I/O
 VDD --> Output (regulated)
 Vin --> Input (Main Supply)
 VSys --> Output (unregulated)

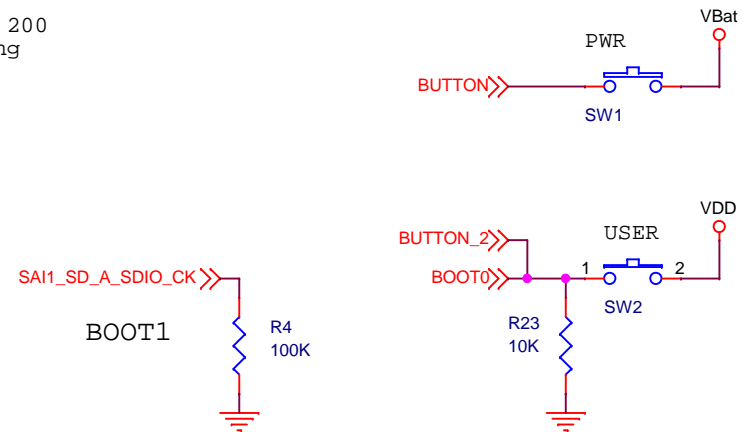
Power / charger



$$V_i = 1V$$

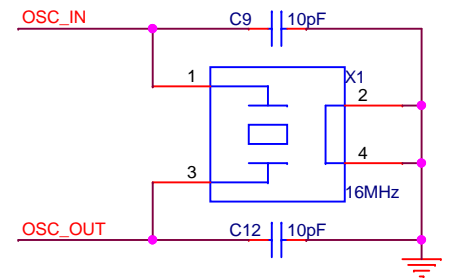
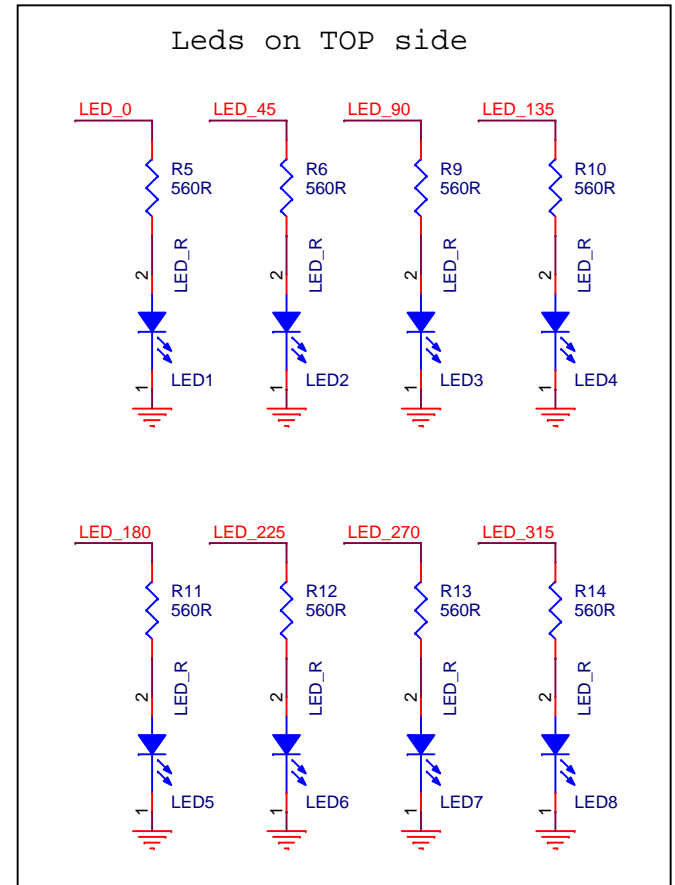
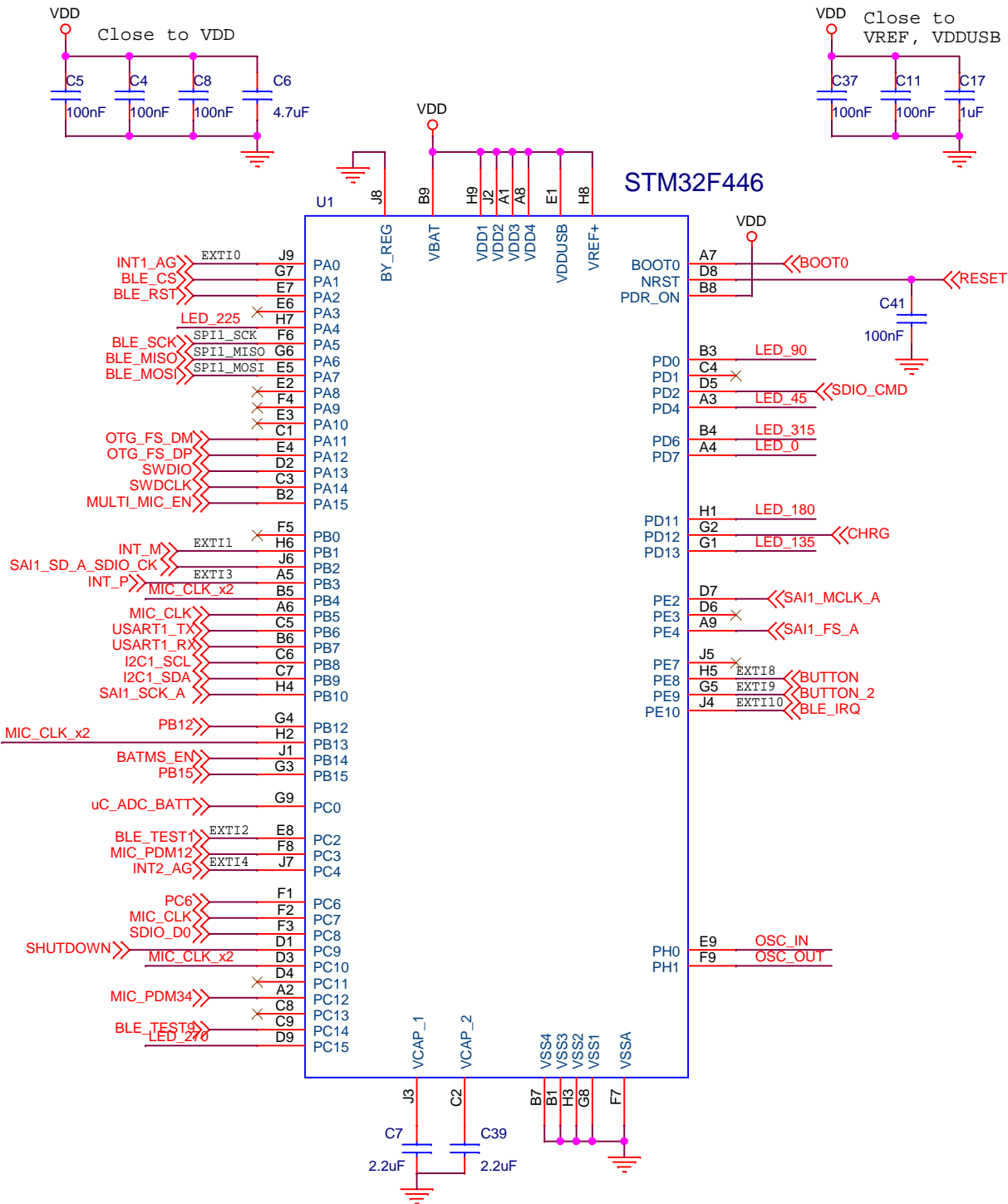
$$I_{chg} = (V_i / R) \times 200$$

$$R = 200 * V_i / I_{chg}$$



STMicroelectronics / Advanced System Technology
 Agrate Brianza - Italy

Board Name		
STEVAL-BCNCS01V1		
Size	Connectors and Power	Rev
A4		1.0
Date:	Thursday, January 26, 2017	Sheet 1 of 4



STMicroelectronics / Advanced System Technology
 Agrate Brianza - Italy

Board Name: **STEVAL-BCNCS01V1**

Size	STM32	Rev	1.0
Date	Friday, January 13, 2017	Sheet	2 of 4

