



FCC TEST REPORT(15.407)

REPORT NO.: RF121114E06A-1 R3
MODEL NO.: ZoneFlex 7055
FCC ID: S9GZF7055
RECEIVED: Nov. 14, 2012
TESTED: Nov. 21 to Dec. 03, 2012
ISSUED: July 19, 2013

APPLICANT: Ruckus Wireless, Inc.

ADDRESS: 350 West Java Drive, Sunnyvale, CA 94089

ISSUED BY: Bureau Veritas Consumer Products Services (H.K.) Ltd., Taoyuan Branch Hsin Chu Laboratory

LAB ADDRESS : No. 81-1, Lu Liao Keng, 9th Ling, Wu Lung Tsuen, Chiung Lin Hsiang, Hsin Chu Hsien 307, Taiwan, R.O.C.

TEST LOCATION (1): No. 81-1, Lu Liao Keng, 9th Ling, Wu Lung Tsuen, Chiung Lin Hsiang, Hsin Chu Hsien 307, Taiwan, R.O.C.

TEST LOCATION (2): No. 49, Ln. 206, Wende Rd., Shangshan Tsuen, Chiung Lin Hsiang, Hsin Chu Hsien 307, Taiwan, R.O.C.

This report should not be used by the client to claim product certification, approval, or endorsement by TAF or any government agencies.



This report is for your exclusive use. Any copying or replication of this report to or for any other person or entity, or use of our name or trademark, is permitted only with our prior written permission. This report sets forth our findings solely with respect to the test samples identified herein. The results set forth in this report are not indicative or representative of the quality or characteristics of the lot from which a test sample was taken or any similar or identical product unless specifically and expressly noted. Our report includes all of the tests requested by you and the results thereof based upon the information that you provided to us. You have 60 days from date of issuance of this report to notify us of any material error or omission caused by our negligence, provided, however, that such notice shall be in writing and shall specifically address the issue you wish to raise. A failure to raise such issue within the prescribed time shall constitute your unqualified acceptance of the completeness of this report, the tests conducted and the correctness of the report contents. Unless specific mention, the uncertainty of measurement has been explicitly taken into account to declare the compliance or non-compliance to the specification



A D T

Table of Contents

RELEASE CONTROL RECORD	4
1. CERTIFICATION	5
2. SUMMARY OF TEST RESULTS	6
2.1 MEASUREMENT UNCERTAINTY	7
3. GENERAL INFORMATION	8
3.1 GENERAL DESCRIPTION OF EUT	8
3.2 DESCRIPTION OF TEST MODES	10
3.2.1 TEST MODE APPLICABILITY AND TESTED CHANNEL DETAIL	11
3.3 GENERAL DESCRIPTION OF APPLIED STANDARDS	13
3.4 DUTY CYCLE OF TEST SIGNAL	14
3.5 DESCRIPTION OF SUPPORT UNITS.....	15
3.6 CONFIGURATION OF SYSTEM UNDER TEST	16
4. TEST TYPES AND RESULTS	19
4.1 CONDUCTED EMISSION MEASUREMENT	19
4.1.1 LIMITS OF CONDUCTED EMISSION MEASUREMENT	19
4.1.2 TEST INSTRUMENTS.....	19
4.1.3 TEST PROCEDURES	20
4.1.4 DEVIATION FROM TEST STANDARD	20
4.1.5 TEST SETUP	21
4.1.6 EUT OPERATING CONDITIONS	21
4.1.7 TEST RESULTS(MODE 1)	22
4.1.8 TEST RESULTS(MODE 2)	24
4.2 RADIATED EMISSION AND BANDEDGE MEASUREMENT	26
4.2.1 LIMITS OF RADIATED EMISSION AND BANDEDGE MEASUREMENT.....	26
4.2.2 LIMITS OF UNWANTED EMISSION OUT OF THE RESTRICTED BANDS.....	27
4.2.3 TEST INSTRUMENTS.....	28
4.2.4 TEST PROCEDURES	30
4.2.5 DEVIATION FROM TEST STANDARD	30
4.2.6 TEST SETUP	31
4.2.7 EUT OPERATING CONDITION.....	31
4.2.8 TEST RESULTS	32
4.3 TRANSMIT POWER MEASUREMENT	52
4.3.1 LIMITS OF TRANSMIT POWER MEASUREMENT	52
4.3.2 TEST INSTRUMENTS.....	52
4.3.3 TEST PROCEDURE.....	53
4.3.4 DEVIATION FROM TEST STANDARD	53
4.3.5 TEST SETUP	53
4.3.6 EUT OPERATING CONDITIONS	54



A D T

4.3.7	TEST RESULTS	55
4.4	PEAK POWER SPECTRAL DENSITY MEASUREMENT	57
4.4.1	LIMITS OF PEAK POWER SPECTRAL DENSITY MEASUREMENT	57
4.4.2	TEST INSTRUMENTS.....	57
4.4.3	TEST PROCEDURES	57
4.4.4	DEVIATION FROM TEST STANDARD	57
4.4.5	TEST SETUP	58
4.4.6	EUT OPERATING CONDITIONS	58
4.4.7	TEST RESULTS	59
4.5	PEAK POWER EXCURSION MEASUREMENT	60
4.5.1	LIMITS OF PEAK POWER EXCURSION MEASUREMENT	60
4.5.2	TEST INSTRUMENTS.....	60
4.5.3	TEST PROCEDURE.....	60
4.5.4	DEVIATION FROM TEST STANDARD	60
4.5.5	TEST SETUP	60
4.5.6	EUT OPERATING CONDITIONS	60
4.5.7	TEST RESULTS	61
4.6	FREQUENCY STABILITY.....	62
4.6.1	LIMITS OF FREQUENCY STABILITY MEASUREMENT	62
4.6.2	TEST INSTRUMENTS.....	62
4.6.3	TEST PROCEDURE.....	62
4.6.4	DEVIATION FROM TEST STANDARD	63
4.6.5	TEST SETUP	63
4.6.6	EUT OPERATING CONDITION.....	63
4.6.7	TEST RESULTS	64
5.	PHOTOGRAPHS OF THE TEST CONFIGURATION.....	65
6.	INFORMATION ON THE TESTING LABORATORIES	66
7.	APPENDIX A - MODIFICATIONS RECORDERS FOR ENGINEERING CHANGES TO THE EUT BY THE LAB.....	67
8.	APPENDIX B - NOTCH BAND IN 5600-5650MHz.....	68



A D T

RELEASE CONTROL RECORD

ISSUE NO.	REASON FOR CHANGE	DATE ISSUED
RF121114E06A-1	Original release	Dec. 18, 2012
RF121114E06A-1 R1	Add Section B for notch band in 5600MHz~5650MHz	Jan. 17, 2013
RF121114E06A-1 R2	Revised "Test Procedure" of section 4.4.3	Apr. 12, 2013
RF121114E06A-1 R3	Add description "802.11n is uncorrelated signals function." On section 3.1	July 19, 2013



1. CERTIFICATION

PRODUCT: ZoneFlex 7055 Access Point
BRAND NAME: Ruckus Wireless
MODEL NO.: ZoneFlex 7055
TEST SAMPLE: ENGINEERING SAMPLE
APPLICANT: Ruckus Wireless, Inc.
TESTED: Nov. 21 to Dec. 03, 2012
STANDARDS: FCC Part 15, Subpart E (Section 15.407)
ANSI C63.10-2009

The above equipment (Model: ZoneFlex 7055) has been tested by **Bureau Veritas Consumer Products Services (H.K.) Ltd., Taoyuan Branch**, and found compliance with the requirement of the above standards. The test record, data evaluation & Equipment Under Test (EUT) configurations represented herein are true and accurate accounts of the measurements of the sample's EMC characteristics under the conditions specified in this report.

PREPARED BY : Midoli Peng, **DATE:** July 19, 2013
(Midoli Peng, Specialist)

APPROVED BY : May Chen, **DATE:** July 19, 2013
(May Chen, Manager)

2. SUMMARY OF TEST RESULTS

The EUT has been tested according to the following specifications:

For 5GHz, 5260~5320MHz, 5500~5580MHz & 5660~5700MHz

APPLIED STANDARD: FCC PART 15, SUBPART E (SECTION 15.407)			
STANDARD SECTION	TEST TYPE	RESULT	REMARK
15.407(b)(6)	AC Power Conducted Emission	PASS	Meet the requirement of limit. Minimum passing margin is -1.99dB at 0.32934MHz
15.407(b/1/2/3)(b)(6)	Radiated Emissions	PASS	Meet the requirement of limit. Minimum passing margin is -1.0dB at 5350.00MHz
15.407(a/1/2)	Transmit Power	PASS	Meet the requirement of limit.
15.407(a)(6)	Peak Power Excursion	PASS	Meet the requirement of limit.
15.407(a/1/2)	Peak Power Spectral Density	PASS	Meet the requirement of limit.
15.407(g)	Frequency Stability	PASS	Meet the requirement of limit.
15.203	Antenna Requirement	PASS	No antenna connector is used.

NOTE:

1. This report is prepared for FCC Class II change. (Add DFS band: 5250~5350MHz & 5470~5600MHz & 5650~5725MHz).
2. The DFS report was recorded in another test report.

2.1 MEASUREMENT UNCERTAINTY

Where relevant, the following measurement uncertainty levels have been estimated for tests performed on the EUT as specified in CISPR 16-4-2:

This uncertainty represents an expanded uncertainty expressed at approximately the 95% confidence level using a coverage factor of $k=2$.

Measurement	Value
Conducted emissions	2.98 dB
Radiated emissions (30MHz-1GHz)	5.59 dB
Radiated emissions (1GHz -6GHz)	3.84 dB
Radiated emissions (6GHz -18GHz)	4.09 dB
Radiated emissions (18GHz -40GHz)	4.24 dB



A D T

3. GENERAL INFORMATION

3.1 GENERAL DESCRIPTION OF EUT

PRODUCT	ZoneFlex 7055 Access Point
MODEL NO.	ZoneFlex 7055
POWER SUPPLY	DC 48V from power adapter or POE
MODULATION TYPE	64QAM, 16QAM, QPSK, BPSK for OFDM
MODULATION TECHNOLOGY	OFDM
TRANSFER RATE	802.11a: up to 54Mbps 802.11n (HT20, 800ns GI): up to 130Mbps 802.11n (HT40, 800ns GI): up to 270Mbps 802.11n (HT20, 400ns GI): up to 144.4Mbps 802.11n (HT40, 400ns GI): up to 300Mbps
OPERATING FREQUENCY	5.26 ~ 5.32GHz, 5.5~5.58GHz & 5.66~5.7GHz
NUMBER OF CHANNEL	12 for 802.11a, 802.11n (HT20) 5 for 802.11n (HT40)
MAXIMUM OUTPUT POWER	802.11a: 43.652mW 802.11n (HT20): 92.531mW 802.11n (HT40): 70.378mW
ANTENNA TYPE	Please see NOTE
DATA CABLE	NA
I/O PORTS	Refer to user's manual
ASSOCIATED DEVICES	NA

NOTE:

1. This report is prepared for FCC Class II. The difference compared with the Report No.: RF121114E06-1 design is as the following:

u Add DFS band <5250~5350MHz & 5500~5580MHz & 5660~5700MHz>



A D T

2. The EUT must be supplied with a power adapter or POE as below :

Adapter(Only for test not for sale)		
Brand	Model No.	Spec.
UMEC	UP0301U-48PP	AC Input : 100-240V, 0.8A, 50/60Hz AC Input cable(unshielded ,1m) DC Output : 48V, 0.62A DC output cable(unshielded ,1.8m)
POE(Only for test not for sale)		
Brand	Model No.	Spec.
Ruckus Wireless	740-64217-001	AC Input : 100-240V, 1A, 50/60Hz DC Output : 48V, 1250mA DC output cable(unshielded ,1.5m)
For radiated emissions test, the EUT was pre-tested with above adapter & POE, the worst case was found in POE. Therefore only the test data of the POE was recorded in this report.		

3. The antennas provided to the EUT, please refer to the following table:

Frequency	Antenna Type	Antenna Gain (dBi)	Connector
2.4GHz	PIFA	3.2	NA
5GHz	PIFA	5.4	NA

4. The EUT is 2 * 2 MIMO without 802.11n beam forming function.

MODULATION MODE	Tx/Rx FUNCTION
802.11a	1Tx/2Rx(diversity)
802.11b	1Tx/2Rx(diversity)
802.11g	1Tx/2Rx(diversity)
802.11n (HT20)	2Tx/2Rx
802.11n (HT40)	2Tx/2Rx

Note: 802.11n is uncorrelated signals function.

5. Spurious emission of the simultaneous operation (2.4GHz & 5GHz) has been evaluated and no non-compliance was found.
6. When the EUT operating in 802.11n, the software operation, which is defined by manufacturer, MCS (Modulation and Coding Schemes) from 0 to 15.
7. The above EUT information was declared by the manufacturer and for more detailed features description, please refer to the manufacturer's specifications or User's Manual.



A D T

3.2 DESCRIPTION OF TEST MODES

Operated in 5250 ~ 5350MHz band:

4 channels are provided for 802.11a, 802.11n (HT20):

CHANNEL	FREQUENCY
52	5260 MHz
56	5280 MHz
60	5300 MHz
64	5320 MHz

2 channels are provided for 802.11n (HT40):

CHANNEL	FREQUENCY
54	5270 MHz
62	5310 MHz

Operated in 5470MHz ~ 5600MHz & 5650MHz ~ 5725MHz bands:

8 channels are provided for 802.11a, 802.11n (HT20):

CHANNEL	FREQUENCY	CHANNEL	FREQUENCY
100	5500 MHz	116	5580 MHz
104	5520 MHz	132	5660 MHz
108	5540 MHz	136	5680 MHz
112	5560 MHz	140	5700 MHz

3 channels are provided for 802.11n (HT40):

CHANNEL	FREQUENCY
102	5510 MHz
110	5550 MHz
134	5670 MHz



A D T

3.2.1 TEST MODE APPLICABILITY AND TESTED CHANNEL DETAIL

EUT CONFIGURE MODE	APPLICABLE TO				DESCRIPTION
	PLC	RE < 1G	RE ≥ 1G	APCM	
1	√	-	-	-	Adapter
2	√	√	√	√	POE

Where **PLC**: Power Line Conducted Emission

RE < 1G: Radiated Emission below 1GHz

RE ≥ 1G: Radiated Emission above 1GHz

APCM: Antenna Port Conducted Measurement

NOTE: “-” means no effect.

POWER LINE CONDUCTED EMISSION TEST:

- Pre-Scan has been conducted to determine the worst-case mode from all possible combinations between available modulations, data rates and antenna ports (if EUT with antenna diversity architecture).
- Following channel(s) was (were) selected for the final test as listed below.

MODE	AVAILABLE CHANNEL	TESTED CHANNEL	MODULATION TECHNOLOGY	MODULATION TYPE	DATA RATE (MBPS)
802.11n (HT20)	52 to 140	60	OFDM	BPSK	6.5

RADIATED EMISSION TEST (BELOW 1 GHz):

- Pre-Scan has been conducted to determine the worst-case mode from all possible combinations between available modulations, data rates and antenna ports (if EUT with antenna diversity architecture).
- Following channel(s) was (were) selected for the final test as listed below.

MODE	AVAILABLE CHANNEL	TESTED CHANNEL	MODULATION TECHNOLOGY	MODULATION TYPE	DATA RATE (Mbps)
802.11n (HT20)	52 to 140	60	OFDM	BPSK	6.5



A D T

RADIATED EMISSION TEST (ABOVE 1 GHz):

- Pre-Scan has been conducted to determine the worst-case mode from all possible combinations between available modulations, data rates and antenna ports (if EUT with antenna diversity architecture).
- Following channel(s) was (were) selected for the final test as listed below.

MODE	AVAILABLE CHANNEL	TESTED CHANNEL	MODULATION TECHNOLOGY	MODULATION TYPE	DATA RATE (Mbps)
802.11a	52 to 140	52, 60, 64, 100, 116, 132, 140	OFDM	BPSK	6
802.11n (HT20)	52 to 140	52, 60, 64, 100, 116, 132, 140	OFDM	BPSK	6.5
802.11n (HT40)	52 to 140	54, 62, 102, 110, 134	OFDM	BPSK	13.5

ANTENNA PORT CONDUCTED MEASUREMENT:

- Pre-Scan has been conducted to determine the worst-case mode from all possible combinations between available modulations, data rates and antenna ports (if EUT with antenna diversity architecture).
- Following channel(s) was (were) selected for the final test as listed below.

MODE	AVAILABLE CHANNEL	TESTED CHANNEL	MODULATION TECHNOLOGY	MODULATION TYPE	DATA RATE (Mbps)
802.11a	52 to 140	52, 60, 64, 100, 116, 132, 140	OFDM	BPSK	6
802.11n (HT20)	52 to 140	52, 60, 64, 100, 116, 132, 140	OFDM	BPSK	6.5
802.11n (HT40)	52 to 140	54, 62, 102, 110, 134	OFDM	BPSK	13.5

TEST CONDITION:

APPLICABLE TO	ENVIRONMENTAL CONDITIONS	INPUT POWER	TESTED BY
PLC	26deg. C, 61%RH	120Vac, 60Hz	JyunChun Lin
RE<1G	23deg. C, 70%RH	120Vac, 60Hz	Robert Cheng
RE ³ 1G	26deg. C, 72%RH	120Vac, 60Hz	Amos Chuang
APCM	25deg. C, 60%RH	120Vac, 60Hz	Amos Chuang

3.3 GENERAL DESCRIPTION OF APPLIED STANDARDS

The EUT is a RF product. According to the specifications of the manufacturer, it must comply with the requirements of the following standards:

FCC Part 15, Subpart E (15.407)

789033 D01 General UNII Test Procedures

662911 D01 Multiple Transmitter Output

ANSI C63.10-2009

All test items have been performed and recorded as per the above standards.

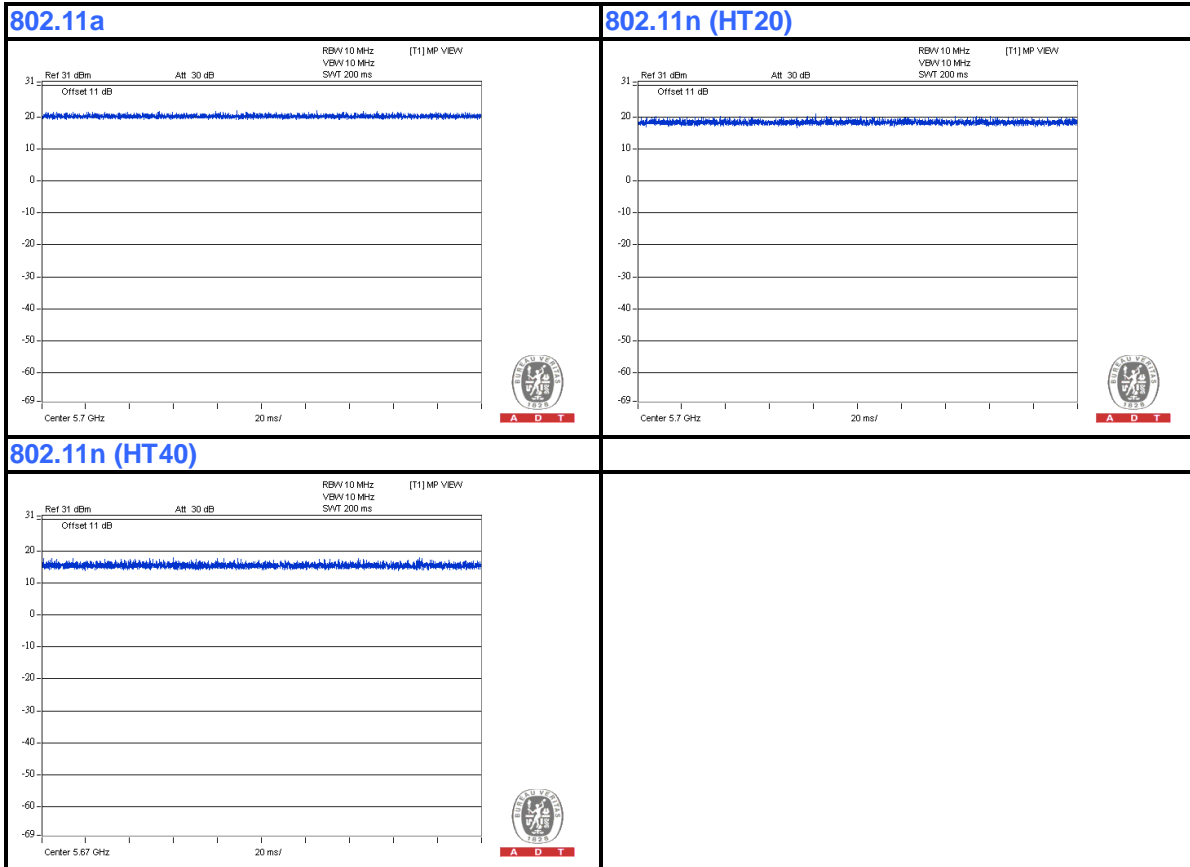
NOTE: The EUT is also considered as a kind of computer peripheral, because the connection to computer is necessary for typical use. It has been verified to comply with the requirements of FCC Part 15, Subpart B, Class B (DoC). The test report has been issued separately.



A D T

3.4 DUTY CYCLE OF TEST SIGNAL

Duty cycle of test signal is 100 % > 98 %, duty factor is not required.





A D T

3.5 DESCRIPTION OF SUPPORT UNITS

The EUT has been tested as an independent unit together with other necessary accessories or support units. The following support units or accessories were used to form a representative test configuration during the tests.

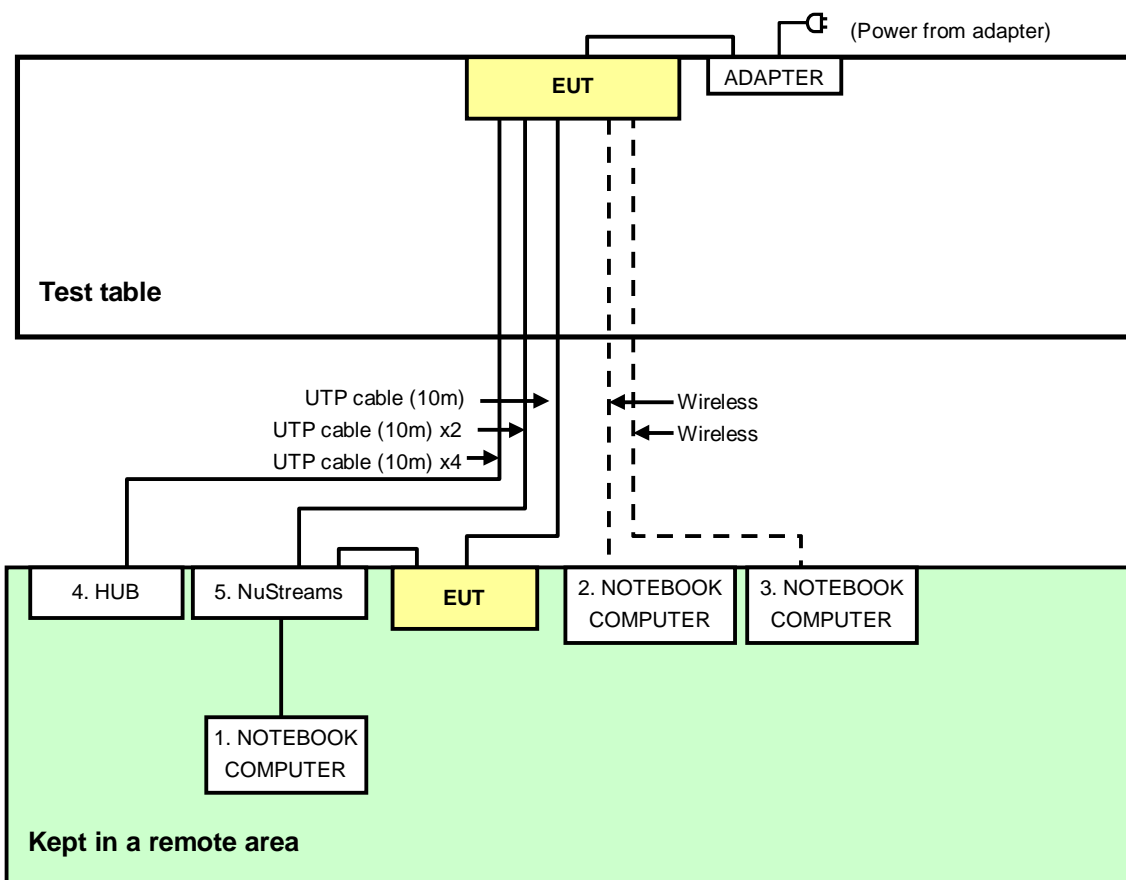
For conducted emission test					
NO.	PRODUCT	BRAND	MODEL NO.	SERIAL NO.	FCC ID
1	NOTEBOOK COMPUTER	DELL	E6420	B92T3R1	FCC DoC
2	NOTEBOOK COMPUTER	DELL	PP32LA	HSLB32S	FCC DoC
3	NOTEBOOK COMPUTER	DELL	PP27L	6YLB32S	FCC DoC
4	HUB	ZyXEL	ES-116P	S060H02000215	FCC DoC
5	NuStreams	XTRAMUS	NuStreams-600i	0JNS06C00047	NA
For other test items					
NO.	PRODUCT	BRAND	MODEL NO.	SERIAL NO.	FCC ID
1	NOTEBOOK COMPUTER	DELL	PP32LA	FSLB32S	FCC DoC
2	NOTEBOOK COMPUTER	DELL	PP32LA	GSLB32S	FCC DoC
3	HUB	ZyXEL	ES-116P	S060H02000215	FCC DoC

For conducted emission test	
NO.	SIGNAL CABLE DESCRIPTION OF THE ABOVE SUPPORT UNITS
1	UTP cable, 3m
2	NA
3	NA
4	UTP cable, 10m
5	UTP cable, 10m
For other test items	
NO.	SIGNAL CABLE DESCRIPTION OF THE ABOVE SUPPORT UNITS
1	UTP cable, 10m
2	UTP cable, 10m
3	UTP cable, 10m

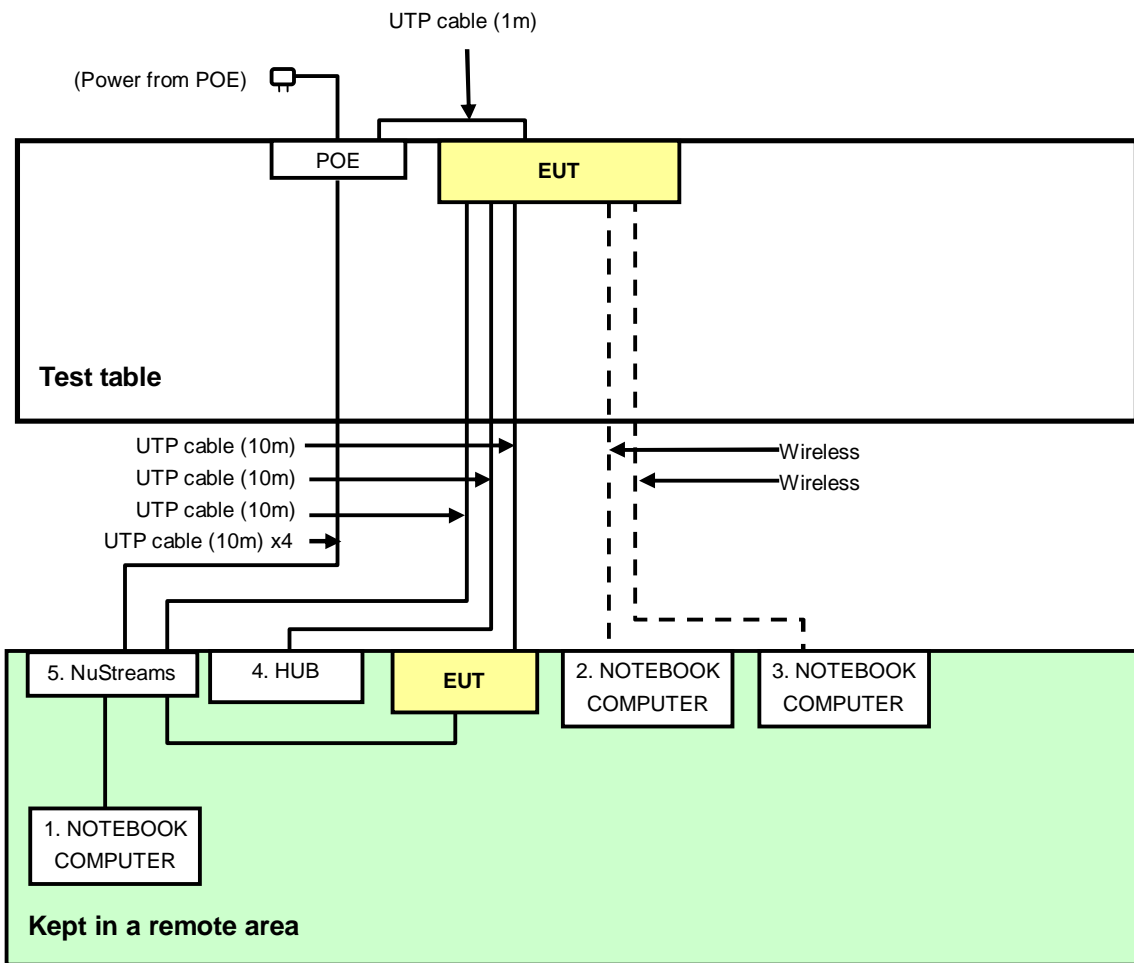
NOTE: All power cords of the above support units are non shielded (1.8m).

3.6 CONFIGURATION OF SYSTEM UNDER TEST

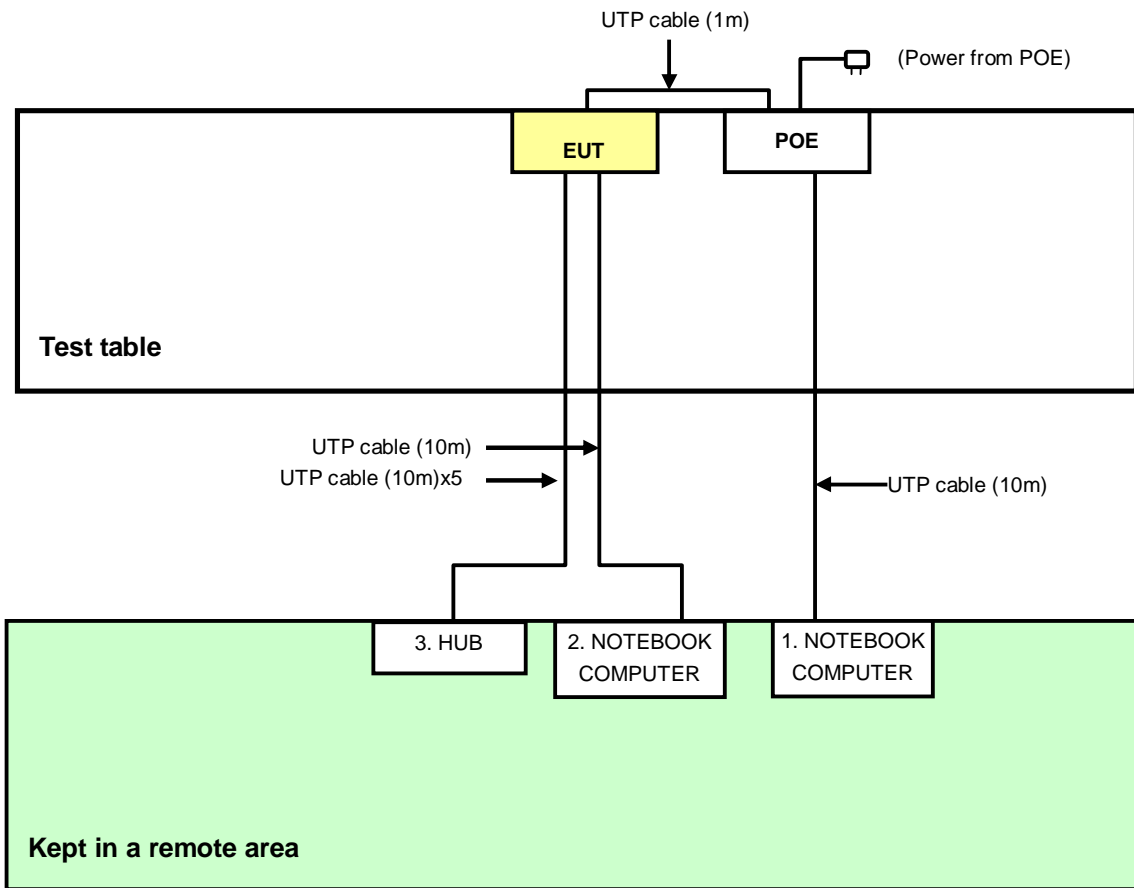
For conducted emission (Adapter mode) test



For conducted emission (POE mode) test



For other test items





A D T

4. TEST TYPES AND RESULTS

4.1 CONDUCTED EMISSION MEASUREMENT

4.1.1 LIMITS OF CONDUCTED EMISSION MEASUREMENT

FREQUENCY OF EMISSION (MHz)	CONDUCTED LIMIT (dB μ V)	
	Quasi-peak	Average
0.15-0.5	66 to 56	56 to 46
0.5-5	56	46
5-30	60	50

- NOTE:** 1. The lower limit shall apply at the transition frequencies.
2. The limit decreases in line with the logarithm of the frequency in the range of 0.15 to 0.50 MHz.

4.1.2 TEST INSTRUMENTS

DESCRIPTION & MANUFACTURER	MODEL NO.	SERIAL NO.	CALIBRATED DATE	CALIBRATED UNTIL
Test Receiver ROHDE & SCHWARZ	ESCS 30	100287	Feb. 29, 2012	Feb. 28, 2013
Line-Impedance Stabilization Network (for EUT) SCHWARZBECK	NSLK 8127	8127-523	Sep. 19, 2012	Sep. 20, 2013
Line-Impedance Stabilization Network (for Peripheral) ROHDE & SCHWARZ	ESH3-Z5	848773/004	Oct. 29, 2012	Oct. 28, 2013
RF Cable (JYEBAO)	5DFB	COACAB-002	Aug. 05, 2012	Aug. 04, 2013
50 ohms Terminator	50	3	Oct. 23, 2012	Oct. 22, 2013
Software ADT	BV ADT_Cond_V7.3.7 .3	NA	NA	NA

Note:

1. The calibration interval of the above test instruments is 12 months and the calibrations are traceable to NML/ROC and NIST/USA.
2. The test was performed in Shielded Room No. A.
3. The VCCI Con A Registration No. is C-817.
4. Tested Date: Dec. 03, 2012



A D T

4.1.3 TEST PROCEDURES

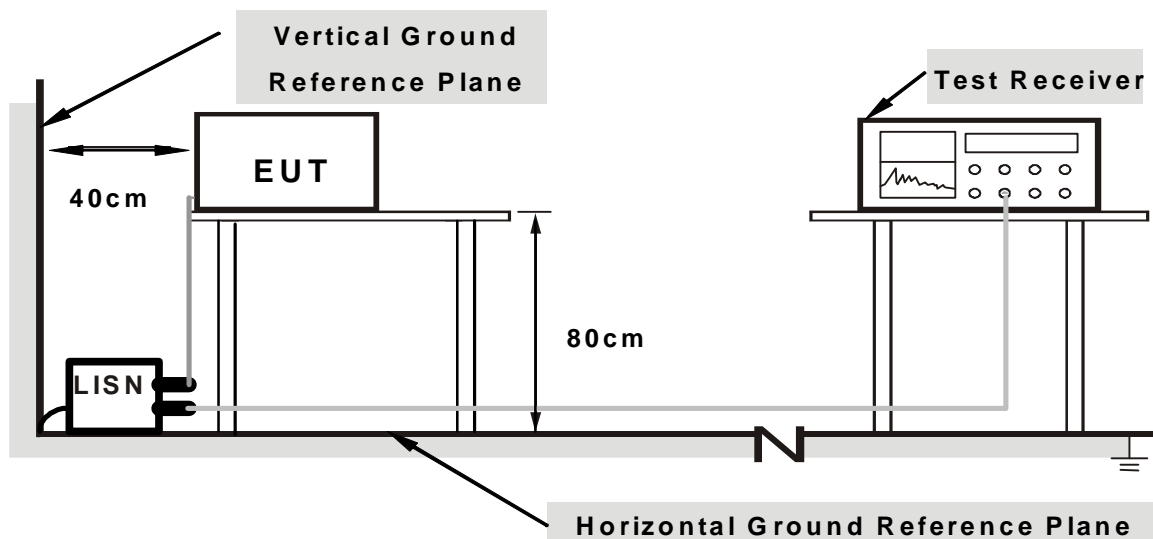
- a. The EUT was placed 0.4 meters from the conducting wall of the shielded room with EUT being connected to the power mains through a line impedance stabilization network (LISN). Other support units were connected to the power mains through another LISN.
- b. The two LISNs provide 50 ohm/ 50uH of coupling impedance for the measuring instrument.
- c. Both lines of the power mains connected to the EUT were checked for maximum conducted interference.
- d. The frequency range from 150kHz to 30MHz was searched. Emission level under (Limit – 20dB) was not recorded.

NOTE: The resolution bandwidth of test receiver is 9kHz for Quasi-peak detection (QP) & Average detection (AV).

4.1.4 DEVIATION FROM TEST STANDARD

No deviation

4.1.5 TEST SETUP



Note: 1.Support units were connected to second LISN.

For the actual test configuration, please refer to the related item – Photographs of the Test Configuration.

4.1.6 EUT OPERATING CONDITIONS

1. Turn on the power of all equipment.
2. Support unit 1 (NB) runs “Nu-Lite XM-23L4 .exe” program to enable of EUT via support unit 5 (NuStreams).
3. Support unit 5 (NuStreams) transmits messages to and receives messages of EUT via UTP cables.
4. Support units 2~3 (NB) run “Ping.exe” program to enable EUT under transmission/receiving condition continuously via wireless.



A D T

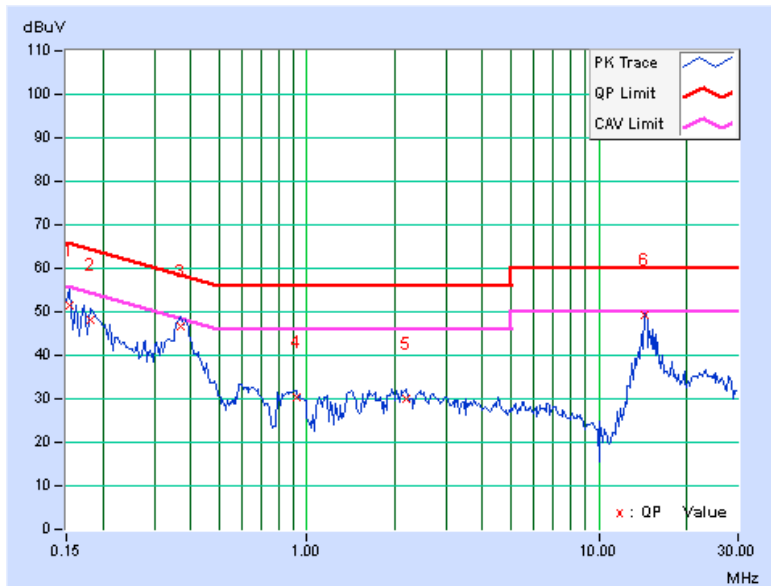
4.1.7 TEST RESULTS(MODE 1)

PHASE	Line (L)	DETECTOR FUNCTION	Quasi-Peak (QP) / Average (AV)
--------------	----------	--------------------------	--------------------------------

No	Freq. [MHz]	Corr. Factor [dB]	Reading Value [dB (uV)]		Emission Level [dB (uV)]		Limit [dB (uV)]		Margin (dB)	
			Q.P.	AV.	Q.P.	AV.	Q.P.	AV.	Q.P.	AV.
			1	0.15384	0.09	51.55	39.33	51.64	39.42	65.79
2	0.18126	0.09	48.12	33.78	48.21	33.87	64.43	54.43	-16.21	-20.55
3	0.36840	0.14	46.61	36.09	46.75	36.23	58.54	48.54	-11.78	-12.30
4	0.92341	0.18	30.11	22.34	30.29	22.52	56.00	46.00	-25.71	-23.48
5	2.18364	0.26	29.92	23.89	30.18	24.15	56.00	46.00	-25.82	-21.85
6	14.29692	0.61	48.55	46.77	49.16	47.38	60.00	50.00	-10.84	-2.62

REMARKS:

1. Q.P. and AV. are abbreviations of quasi-peak and average individually.
2. The emission levels of other frequencies were very low against the limit.
3. Margin value = Emission level - Limit value
4. Correction factor = Insertion loss + Cable loss
5. Emission Level = Correction Factor + Reading Value.





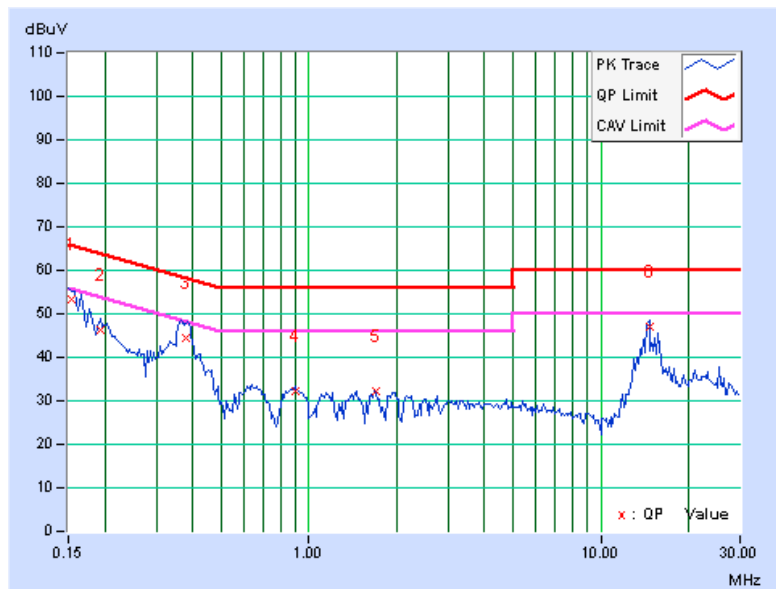
A D T

PHASE	Neutral (N)	DETECTOR FUNCTION	Quasi-Peak (QP) / Average (AV)
-------	-------------	-------------------	--------------------------------

No	Freq. [MHz]	Corr. Factor (dB)	Reading Value [dB (uV)]		Emission Level [dB (uV)]		Limit [dB (uV)]		Margin (dB)	
			Q.P.	AV.	Q.P.	AV.	Q.P.	AV.	Q.P.	AV.
1	0.15388	0.10	53.15	39.82	53.25	39.92	65.79	55.79	-12.54	-15.87
2	0.19302	0.11	46.33	33.14	46.44	33.25	63.91	53.91	-17.47	-20.66
3	0.38044	0.16	44.15	37.89	44.31	38.05	58.27	48.27	-13.96	-10.22
4	0.89611	0.18	32.11	24.08	32.29	24.26	56.00	46.00	-23.71	-21.74
5	1.68788	0.22	31.82	23.74	32.04	23.96	56.00	46.00	-23.96	-22.04
6	14.64749	0.60	46.48	44.32	47.08	44.92	60.00	50.00	-12.92	-5.08

REMARKS:

1. Q.P. and AV. are abbreviations of quasi-peak and average individually.
2. The emission levels of other frequencies were very low against the limit.
3. Margin value = Emission level - Limit value
4. Correction factor = Insertion loss + Cable loss
5. Emission Level = Correction Factor + Reading Value.





A D T

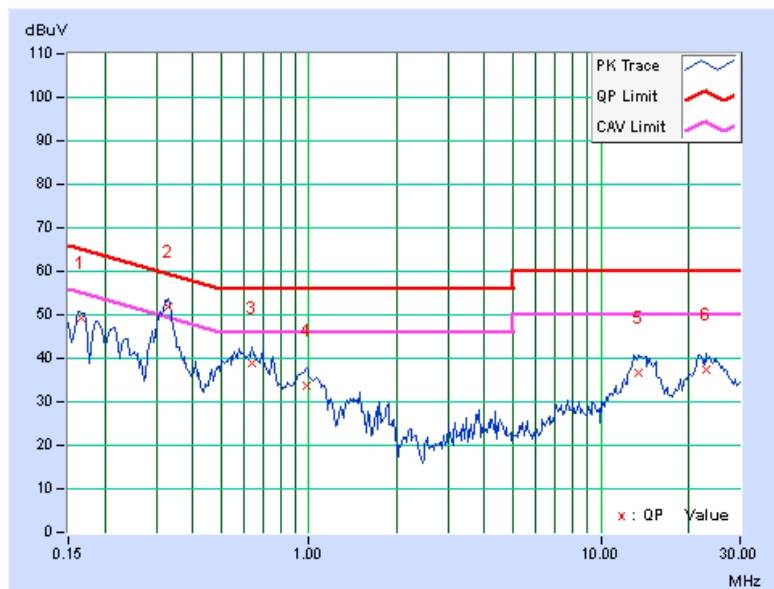
4.1.8 TEST RESULTS(MODE 2)

PHASE	Line (L)	DETECTOR FUNCTION	Quasi-Peak (QP) / Average (AV)
-------	----------	-------------------	--------------------------------

No	Freq. [MHz]	Corr. Factor (dB)	Reading Value [dB (uV)]		Emission Level [dB (uV)]		Limit [dB (uV)]		Margin (dB)	
			Q.P.	AV.	Q.P.	AV.	Q.P.	AV.	Q.P.	AV.
			1	0.16588	0.09	49.01	45.13	49.10	45.22	65.16
2	0.32896	0.13	51.55	47.31	51.68	47.44	59.48	49.48	-7.80	-2.04
3	0.64234	0.16	38.88	33.02	39.04	33.18	56.00	46.00	-16.96	-12.82
4	0.97818	0.18	33.54	28.64	33.72	28.82	56.00	46.00	-22.28	-17.18
5	13.49223	0.60	36.14	30.80	36.74	31.40	60.00	50.00	-23.26	-18.60
6	23.01188	0.79	36.58	31.54	37.37	32.33	60.00	50.00	-22.63	-17.67

REMARKS:

1. Q.P. and AV. are abbreviations of quasi-peak and average individually.
2. The emission levels of other frequencies were very low against the limit.
3. Margin value = Emission level - Limit value
4. Correction factor = Insertion loss + Cable loss
5. Emission Level = Correction Factor + Reading Value.





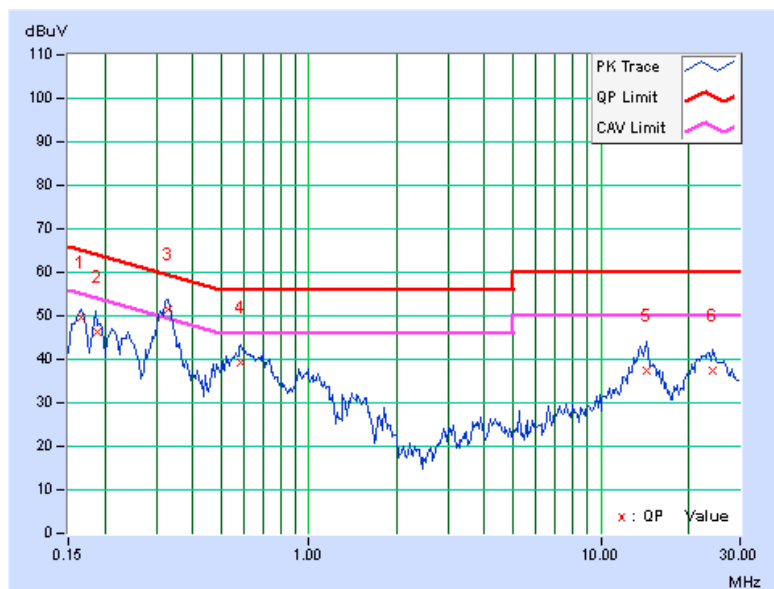
A D T

PHASE	Neutral (N)	DETECTOR FUNCTION	Quasi-Peak (QP) / Average (AV)
-------	-------------	-------------------	--------------------------------

No	Freq.	Corr.	Reading Value		Emission Level		Limit		Margin	
	[MHz]	(dB)	Q.P.	AV.	Q.P.	AV.	Q.P.	AV.	Q.P.	AV.
1	0.16618	0.10	49.58	45.09	49.68	45.19	65.15	55.15	-15.47	-9.96
2	0.18874	0.11	46.13	43.80	46.24	43.91	64.09	54.09	-17.86	-10.19
3	0.32934	0.14	51.52	47.34	51.66	47.48	59.47	49.47	-7.81	-1.99
4	0.58775	0.17	39.01	33.10	39.18	33.27	56.00	46.00	-16.82	-12.73
5	14.32876	0.60	36.74	31.57	37.34	32.17	60.00	50.00	-22.66	-17.83
6	24.16804	0.80	36.52	30.26	37.32	31.06	60.00	50.00	-22.68	-18.94

REMARKS:

1. Q.P. and AV. are abbreviations of quasi-peak and average individually.
2. The emission levels of other frequencies were very low against the limit.
3. Margin value = Emission level - Limit value
4. Correction factor = Insertion loss + Cable loss
5. Emission Level = Correction Factor + Reading Value.



4.2 RADIATED EMISSION AND BANDEDGE MEASUREMENT

4.2.1 LIMITS OF RADIATED EMISSION AND BANDEDGE MEASUREMENT

Radiated emissions which fall in the restricted bands must comply with the radiated emission limits specified as below table:

Frequencies (MHz)	Field strength (microvolts/meter)	Measurement distance (meters)
0.009-0.490	2400/F(kHz)	300
0.490-1.705	24000/F(kHz)	30
1.705-30.0	30	30
30-88	100	3
88-216	150	3
216-960	200	3
Above 960	500	3

NOTE:

1. The lower limit shall apply at the transition frequencies.
2. Emission level (dBuV/m) = 20 log Emission level (uV/m).
3. For frequencies above 1000MHz, the field strength limits are based on average detector, however, the peak field strength of any emission shall not exceed the maximum permitted average limits, specified above by more than 20dB.



A D T

4.2.2 LIMITS OF UNWANTED EMISSION OUT OF THE RESTRICTED BANDS

APPLICABLE TO	LIMIT	
√	FIELD STRENGTH AT 3m (dBμV/m)	
	PK	AV
	74	54
	EIRP LIMIT (dBm)	EQUIVALENT FIELD STRENGTH AT 3m (dBμV/m)
	PK	PK
	-27	68.3

NOTE: The following formula is used to convert the equipment isotropic radiated power (eirp) to field strength:

$$E = \frac{1000000\sqrt{30P}}{3} \mu\text{V/m, where P is the eirp (Watts).$$



A D T

4.2.3 TEST INSTRUMENTS

Below 1GHz test:

DESCRIPTION & MANUFACTURER	MODEL NO.	SERIAL NO.	CALIBRATED DATE	CALIBRATED UNTIL
Spectrum Analyzer Agilent	E4446A	MY48250253	Sep. 03, 2012	Sep. 02, 2013
Pre-Selector Agilent	N9039A	MY46520310	Sep. 03, 2012	Sep. 02, 2013
Signal Generator Agilent	N5181A	MY49060347	July 24, 2012	July 23, 2013
Pre-Amplifier Mini-Circuits	ZFL-1000VH2 B	AMP-ZFL-04	Nov. 14, 2012	Nov. 13, 2013
Pre-Amplifier Agilent	8449B	3008A02465	Feb. 27, 2012	Feb. 26, 2013
SPACEK LABS	SLKKa-48-6	9K16	Nov. 14, 2012	Nov. 13, 2013
Trilog Broadband Antenna SCHWARZBECK	VULB 9168	9168-361	Apr. 06, 2012	Apr. 05, 2013
Horn_Antenna AISI	AIH.8018	0000220091110	Nov. 23, 2011	Nov. 22, 2012
Horn_Antenna SCHWARZBECK	BBHA 9170	9170-424	Oct. 12, 2012	Oct. 11, 2013
RF Cable	NA	RF104-205 RF104-207 RF104-202	Dec. 27, 2011	Dec. 26, 2012
RF Cable	NA	CHHCAB_001	Oct. 07, 2012	Oct. 06, 2013
Software	ADT_Radiated _V8.7.05	NA	NA	NA
Antenna Tower & Turn Table CT	NA	NA	NA	NA

Note:

1. The calibration interval of the above test instruments is 12 months and the calibrations are traceable to NML/ROC and NIST/USA.
2. The horn antenna, preamplifier (model: 8449B) are used only for the measurement of emission frequency above 1GHz if tested.
- 3 The test was performed in 966 Chamber No. H.
4. The FCC Site Registration No. is 797305.
- 5 The CANADA Site Registration No. is IC 7450H-3.
- 6 Tested Date: Nov. 21, 2012



A D T

Above 1GHz test:

DESCRIPTION & MANUFACTURER	MODEL NO.	SERIAL NO.	CALIBRATED DATE	CALIBRATED UNTIL
Spectrum Analyzer Agilent	E4446A	MY48250254	July 09, 2012	July 08, 2013
Pre-Selector Agilent	N9039A	MY46520311	July 09, 2012	July 08, 2013
Signal Generator Agilent	N5181A	MY49060517	July 09, 2012	July 08, 2013
Pre-Amplifier Mini-Circuits	ZFL-1000VH2 B	AMP-ZFL-03	Nov. 14, 2012	Nov. 13, 2013
Pre-Amplifier Agilent	8449B	3008A02578	June 26, 2012	June 25, 2013
Pre-Amplifier SPACEK LABS	SLKKa-48-6	9K16	Nov. 14, 2012	Nov. 13, 2013
Trilog Broadband Antenna SCHWARZBECK	VULB 9168	9168-360	Apr. 09, 2012	Apr. 08, 2013
Horn_Antenna AISI	AIH.8018	0000320091110	Nov. 19, 2012	Nov. 18, 2013
Horn_Antenna SCHWARZBECK	BBHA 9170	9170-424	Oct. 12, 2012	Oct. 11, 2013
RF Cable	NA	RF104-201 RF104-203 RF104-204	Dec. 26, 2011	Dec. 25, 2012
RF Cable	NA	CHGCAB_001	Oct. 06, 2012	Oct. 05, 2013
Software	ADT_Radiated _V8.7.05	NA	NA	NA
Antenna Tower & Turn Table CT	NA	NA	NA	NA

Note:

1. The calibration interval of the above test instruments is 12 months and the calibrations are traceable to NML/ROC and NIST/USA.
2. The horn antenna, preamplifier (model: 8449B) are used only for the measurement of emission frequency above 1GHz if tested.
- 3 The test was performed in 966 Chamber No. G.
4. The FCC Site Registration No. is 966073.
- 5 The VCCI Site Registration No. is G-137.
- 6 The CANADA Site Registration No. is IC 7450H-2.
- 7 Tested Date: Nov. 30, 2012

4.2.4 TEST PROCEDURES

- a. The EUT was placed on the top of a rotating table 0.8 meters above the ground at a 3 meters chamber. The table was rotated 360 degrees to determine the position of the highest radiation.
- b. The EUT was set 3 meters away from the interference-receiving antenna, which was mounted on the top of a variable-height antenna tower.
- c. The height of antenna is varied from one meter to four meters above the ground to determine the maximum value of the field strength. Both horizontal and vertical polarizations of the antenna are set to make the measurement.
- d. For each suspected emission, the EUT was arranged to its worst case and then the antenna was tuned to heights from 1 meter to 4 meters and the rotatable table was turned from 0 degrees to 360 degrees to find the maximum reading.
- e. The test-receiver system was set to quasi-peak detect function and specified bandwidth with maximum hold mode when the test frequency is below 1 GHz.
- f. The test-receiver system was set to peak and average detect function and specified bandwidth with maximum hold mode when the test frequency is above 1 GHz. If the peak reading value also meets average limit, measurement with the average detector is unnecessary.

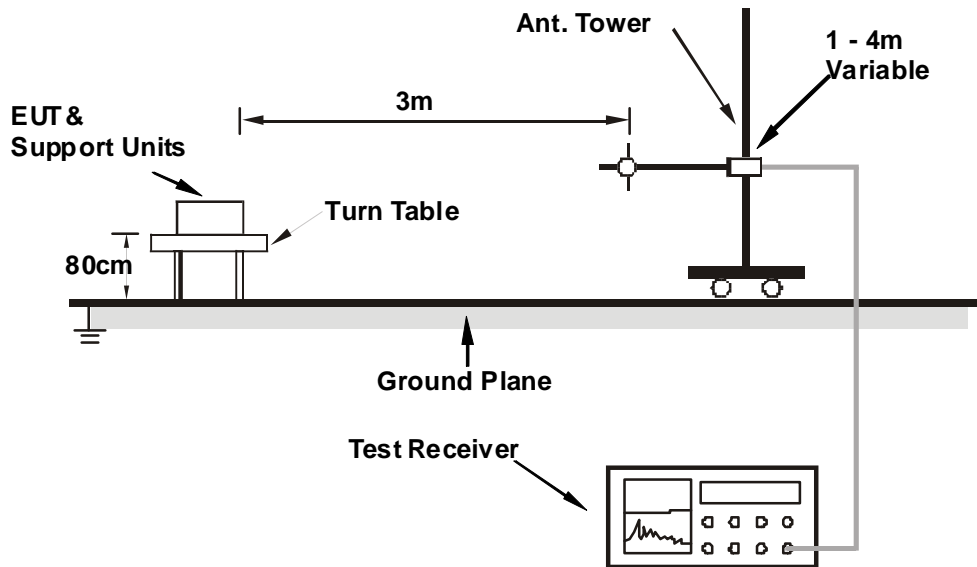
NOTE:

1. The resolution bandwidth and video bandwidth of test receiver/spectrum analyzer is 120kHz for Quasi-peak detection (QP) at frequency below 1GHz.
2. The resolution bandwidth of test receiver/spectrum analyzer is 1 MHz and the video bandwidth is 3 MHz for Peak detection (PK) at frequency above 1GHz.
3. The resolution bandwidth of test receiver/spectrum analyzer is 1 MHz and the video bandwidth is 10 Hz for Average detection (AV) at frequency above 1GHz.
4. All modes of operation were investigated and the worst-case emissions are reported.

4.2.5 DEVIATION FROM TEST STANDARD

No deviation

4.2.6 TEST SETUP



For the actual test configuration, please refer to the related item – Photographs of the Test Configuration.

4.2.7 EUT OPERATING CONDITION

1. Turn on the power of EUT.
2. The communication partner run test program “artgui.exe” to enable EUT under transmission/receiving condition continuously at specific channel frequency.



4.2.8 TEST RESULTS

BELOW 1GHz WORST-CASE DATA

802.11n (20MHz)

CHANNEL	TX Channel 60	DETECTOR FUNCTION	Quasi-Peak (QP)
FREQUENCY RANGE	Below 1GHz		

ANTENNA POLARITY & TEST DISTANCE: HORIZONTAL AT 3 M

NO.	FREQ. (MHz)	EMISSION LEVEL (dBuV/m)	LIMIT (dBuV/m)	MARGIN (dB)	ANTENNA HEIGHT (m)	TABLE ANGLE (Degree)	RAW VALUE (dBuV)	CORRECTION FACTOR (dB/m)
1	36.00	31.4 QP	40.0	-8.6	1.75 H	189	18.20	13.21
2	61.70	34.1 QP	40.0	-5.9	1.87 H	78	20.62	13.48
3	250.00	44.5 QP	46.0	-1.5	1.11 H	45	31.16	13.35
4	323.15	40.6 QP	46.0	-5.4	1.00 H	214	24.72	15.89
5	375.00	35.4 QP	46.0	-10.6	1.00 H	65	18.19	17.22
6	874.00	38.1 QP	46.0	-7.9	1.21 H	198	11.01	27.11

ANTENNA POLARITY & TEST DISTANCE: VERTICAL AT 3 M

NO.	FREQ. (MHz)	EMISSION LEVEL (dBuV/m)	LIMIT (dBuV/m)	MARGIN (dB)	ANTENNA HEIGHT (m)	TABLE ANGLE (Degree)	RAW VALUE (dBuV)	CORRECTION FACTOR (dB/m)
1	37.00	37.2 QP	40.0	-2.8	1.20 V	141	23.84	13.37
2	250.00	35.1 QP	46.0	-10.9	1.35 V	141	21.77	13.35
3	374.95	33.3 QP	46.0	-12.8	1.37 V	63	16.03	17.22
4	500.00	34.6 QP	46.0	-11.4	1.39 V	169	14.22	20.39
5	624.90	37.6 QP	46.0	-8.4	1.37 V	61	14.59	22.97
6	875.00	36.4 QP	46.0	-9.6	1.18 V	98	9.29	27.12

REMARKS:

1. Emission level (dBuV/m) = Raw Value (dBuV) + Correction Factor (dB/m).
2. Correction Factor (dB/m) = Antenna Factor (dB/m) + Cable Factor (dB).
3. The other emission levels were very low against the limit.
4. Margin value = Emission level – Limit value.



A D T

ABOVE 1GHz DATA

802.11a

CHANNEL	TX Channel 52	DETECTOR FUNCTION	Peak (PK)
FREQUENCY RANGE	1GHz ~ 40GHz		Average (AV)

ANTENNA POLARITY & TEST DISTANCE: HORIZONTAL AT 3 M

NO.	FREQ. (MHz)	EMISSION LEVEL (dBuV/m)	LIMIT (dBuV/m)	MARGIN (dB)	ANTENNA HEIGHT (m)	TABLE ANGLE (Degree)	RAW VALUE (dBuV)	CORRECTION FACTOR (dB/m)
1	5150.00	56.9 PK	74.0	-17.1	1.29 H	302	14.60	42.30
2	5150.00	45.3 AV	54.0	-8.7	1.29 H	302	3.00	42.30
3	*5260.00	109.4 PK			1.29 H	302	66.86	42.54
4	*5260.00	98.8 AV			1.29 H	302	56.26	42.54
5	#10520.00	59.1 PK	74.0	-14.9	1.00 H	231	9.61	49.49
6	#10520.00	47.5 AV	54.0	-6.5	1.00 H	231	-1.99	49.49
7	15780.00	61.9 PK	74.0	-12.1	1.00 H	153	7.01	54.89
8	15780.00	50.8 AV	54.0	-3.2	1.00 H	153	-4.09	54.89

ANTENNA POLARITY & TEST DISTANCE: VERTICAL AT 3 M

NO.	FREQ. (MHz)	EMISSION LEVEL (dBuV/m)	LIMIT (dBuV/m)	MARGIN (dB)	ANTENNA HEIGHT (m)	TABLE ANGLE (Degree)	RAW VALUE (dBuV)	CORRECTION FACTOR (dB/m)
1	5150.00	56.8 PK	74.0	-17.2	1.00 V	38	14.50	42.30
2	5150.00	44.3 AV	54.0	-9.7	1.00 V	38	2.00	42.30
3	*5260.00	108.3 PK			1.00 V	38	65.76	42.54
4	*5260.00	97.3 AV			1.00 V	38	54.76	42.54
5	#10520.00	58.6 PK	74.0	-15.4	1.00 V	153	9.11	49.49
6	#10520.00	46.3 AV	54.0	-7.7	1.00 V	153	-3.19	49.49
7	15780.00	61.3 PK	74.0	-12.7	1.00 V	43	6.41	54.89
8	15780.00	49.4 AV	54.0	-4.6	1.00 V	43	-5.49	54.89

REMARKS:

1. Emission level (dBuV/m) = Raw Value (dBuV) + Correction Factor (dB/m).
2. Correction Factor (dB/m) = Antenna Factor (dB/m) + Cable Factor (dB).
3. The other emission levels were very low against the limit.
4. Margin value = Emission level – Limit value.
5. " * ": Fundamental frequency.
6. " # ": The radiated frequency is out of the restricted band.



A D T

CHANNEL	TX Channel 60	DETECTOR FUNCTION	Peak (PK)
FREQUENCY RANGE	1GHz ~ 40GHz		Average (AV)

ANTENNA POLARITY & TEST DISTANCE: HORIZONTAL AT 3 M

NO.	FREQ. (MHz)	EMISSION LEVEL (dBuV/m)	LIMIT (dBuV/m)	MARGIN (dB)	ANTENNA HEIGHT (m)	TABLE ANGLE (Degree)	RAW VALUE (dBuV)	CORRECTION FACTOR (dB/m)
1	*5300.00	108.1 PK			1.23 H	305	65.52	42.58
2	*5300.00	97.3 AV			1.23 H	305	54.72	42.58
3	10600.00	59.6 PK	74.0	-14.4	1.00 H	213	10.25	49.35
4	10600.00	46.5 AV	54.0	-7.5	1.00 H	213	-2.85	49.35
5	15900.00	61.6 PK	74.0	-12.4	1.00 H	156	6.51	55.09
6	15900.00	49.9 AV	54.0	-4.1	1.00 H	156	-5.19	55.09

ANTENNA POLARITY & TEST DISTANCE: VERTICAL AT 3 M

NO.	FREQ. (MHz)	EMISSION LEVEL (dBuV/m)	LIMIT (dBuV/m)	MARGIN (dB)	ANTENNA HEIGHT (m)	TABLE ANGLE (Degree)	RAW VALUE (dBuV)	CORRECTION FACTOR (dB/m)
1	*5300.00	107.8 PK			1.00 V	41	65.22	42.58
2	*5300.00	96.6 AV			1.00 V	41	54.02	42.58
3	10600.00	58.9 PK	74.0	-15.1	1.00 V	159	9.55	49.35
4	10600.00	46.7 AV	54.0	-7.3	1.00 V	159	-2.65	49.35
5	15900.00	61.6 PK	74.0	-12.4	1.00 V	42	6.51	55.09
6	15900.00	49.3 AV	54.0	-4.7	1.00 V	42	-5.79	55.09

REMARKS:

1. Emission level (dBuV/m) = Raw Value (dBuV) + Correction Factor (dB/m).
2. Correction Factor (dB/m) = Antenna Factor (dB/m) + Cable Factor (dB).
3. The other emission levels were very low against the limit.
4. Margin value = Emission level – Limit value.
5. " * ": Fundamental frequency.



A D T

CHANNEL	TX Channel 64	DETECTOR FUNCTION	Peak (PK)
FREQUENCY RANGE	1GHz ~ 40GHz		Average (AV)

ANTENNA POLARITY & TEST DISTANCE: HORIZONTAL AT 3 M

NO.	FREQ. (MHz)	EMISSION LEVEL (dBuV/m)	LIMIT (dBuV/m)	MARGIN (dB)	ANTENNA HEIGHT (m)	TABLE ANGLE (Degree)	RAW VALUE (dBuV)	CORRECTION FACTOR (dB/m)
1	*5320.00	107.9 PK			1.25 H	303	65.31	42.59
2	*5320.00	97.2 AV			1.25 H	303	54.61	42.59
3	5350.00	58.3 PK	74.0	-15.7	1.25 H	303	15.71	42.59
4	5350.00	47.0 AV	54.0	-7.0	1.25 H	303	4.41	42.59
5	10640.00	59.9 PK	74.0	-14.1	1.00 H	222	10.44	49.46
6	10640.00	46.9 AV	54.0	-7.1	1.00 H	222	-2.56	49.46
7	15960.00	61.7 PK	74.0	-12.3	1.00 H	156	6.87	54.83
8	15960.00	49.5 AV	54.0	-4.5	1.00 H	156	-5.33	54.83

ANTENNA POLARITY & TEST DISTANCE: VERTICAL AT 3 M

NO.	FREQ. (MHz)	EMISSION LEVEL (dBuV/m)	LIMIT (dBuV/m)	MARGIN (dB)	ANTENNA HEIGHT (m)	TABLE ANGLE (Degree)	RAW VALUE (dBuV)	CORRECTION FACTOR (dB/m)
1	*5320.00	107.1 PK			1.00 V	36	64.51	42.59
2	*5320.00	96.7 AV			1.00 V	36	54.11	42.59
3	5350.00	58.5 PK	74.0	-15.5	1.00 V	36	15.91	42.59
4	5350.00	47.3 AV	54.0	-6.7	1.00 V	36	4.71	42.59
5	10640.00	58.6 PK	74.0	-15.4	1.00 V	156	9.14	49.46
6	10640.00	46.6 AV	54.0	-7.4	1.00 V	156	-2.86	49.46
7	15960.00	61.5 PK	74.0	-12.5	1.00 V	40	6.67	54.83
8	15960.00	49.6 AV	54.0	-4.4	1.00 V	40	-5.23	54.83

REMARKS:

1. Emission level (dBuV/m) = Raw Value (dBuV) + Correction Factor (dB/m).
2. Correction Factor (dB/m) = Antenna Factor (dB/m) + Cable Factor (dB).
3. The other emission levels were very low against the limit.
4. Margin value = Emission level – Limit value.
5. " * ": Fundamental frequency.



A D T

CHANNEL	TX Channel 100	DETECTOR FUNCTION	Peak (PK)
FREQUENCY RANGE	1GHz ~ 40GHz		Average (AV)

ANTENNA POLARITY & TEST DISTANCE: HORIZONTAL AT 3 M

NO.	FREQ. (MHz)	EMISSION LEVEL (dBuV/m)	LIMIT (dBuV/m)	MARGIN (dB)	ANTENNA HEIGHT (m)	TABLE ANGLE (Degree)	RAW VALUE (dBuV)	CORRECTION FACTOR (dB/m)
1	5460.00	57.6 PK	74.0	-16.4	1.01 H	355	14.78	42.82
2	5460.00	46.8 AV	54.0	-7.2	1.01 H	355	3.98	42.82
3	#5470.00	65.2 PK	74.0	-8.8	1.01 H	355	22.35	42.85
4	#5470.00	50.9 AV	54.0	-3.1	1.01 H	355	8.05	42.85
5	*5500.00	108.6 PK			1.01 H	355	65.64	42.96
6	*5500.00	97.8 AV			1.01 H	355	54.84	42.96
7	11000.00	59.8 PK	74.0	-14.2	1.00 H	219	9.79	50.01
8	11000.00	46.9 AV	54.0	-7.1	1.00 H	219	-3.11	50.01
9	#16500.00	61.6 PK	74.0	-12.4	1.00 H	153	5.23	56.37
10	#16500.00	49.8 AV	54.0	-4.2	1.00 H	153	-6.57	56.37

ANTENNA POLARITY & TEST DISTANCE: VERTICAL AT 3 M

NO.	FREQ. (MHz)	EMISSION LEVEL (dBuV/m)	LIMIT (dBuV/m)	MARGIN (dB)	ANTENNA HEIGHT (m)	TABLE ANGLE (Degree)	RAW VALUE (dBuV)	CORRECTION FACTOR (dB/m)
1	5460.00	56.9 PK	74.0	-17.1	1.00 V	38	14.08	42.82
2	5460.00	44.4 AV	54.0	-9.6	1.00 V	38	1.58	42.82
3	#5470.00	60.3 PK	74.0	-13.7	1.00 V	38	17.45	42.85
4	#5470.00	47.5 AV	54.0	-6.5	1.00 V	38	4.65	42.85
5	*5500.00	106.8 PK			1.00 V	38	63.84	42.96
6	*5500.00	96.5 AV			1.00 V	38	53.54	42.96
7	11000.00	58.1 PK	74.0	-15.9	1.00 V	153	8.09	50.01
8	11000.00	46.5 AV	54.0	-7.5	1.00 V	153	-3.51	50.01
9	#16500.00	61.3 PK	74.0	-12.7	1.00 V	39	4.93	56.37
10	#16500.00	48.9 AV	54.0	-5.1	1.00 V	39	-7.47	56.37

REMARKS:

1. Emission level (dBuV/m) = Raw Value (dBuV) + Correction Factor (dB/m).
2. Correction Factor (dB/m) = Antenna Factor (dB/m) + Cable Factor (dB).
3. The other emission levels were very low against the limit.
4. Margin value = Emission level – Limit value.
5. " * ": Fundamental frequency.
6. " # ": The radiated frequency is out of the restricted band.



A D T

CHANNEL	TX Channel 116	DETECTOR FUNCTION	Peak (PK)
FREQUENCY RANGE	1GHz ~ 40GHz		Average (AV)

ANTENNA POLARITY & TEST DISTANCE: HORIZONTAL AT 3 M

NO.	FREQ. (MHz)	EMISSION LEVEL (dBuV/m)	LIMIT (dBuV/m)	MARGIN (dB)	ANTENNA HEIGHT (m)	TABLE ANGLE (Degree)	RAW VALUE (dBuV)	CORRECTION FACTOR (dB/m)
1	*5580.00	109.6 PK			1.01 H	351	66.46	43.14
2	*5580.00	98.5 AV			1.01 H	351	55.36	43.14
3	11160.00	59.6 PK	74.0	-14.4	1.00 H	213	9.89	49.71
4	11160.00	46.7 AV	54.0	-7.3	1.00 H	213	-3.01	49.71
5	#16740.00	61.1 PK	74.0	-12.9	1.00 H	155	4.68	56.42
6	#16740.00	49.4 AV	54.0	-4.6	1.00 H	155	-7.02	56.42

ANTENNA POLARITY & TEST DISTANCE: VERTICAL AT 3 M

NO.	FREQ. (MHz)	EMISSION LEVEL (dBuV/m)	LIMIT (dBuV/m)	MARGIN (dB)	ANTENNA HEIGHT (m)	TABLE ANGLE (Degree)	RAW VALUE (dBuV)	CORRECTION FACTOR (dB/m)
1	*5580.00	107.1 PK			1.00 V	40	63.96	43.14
2	*5580.00	96.6 AV			1.00 V	40	53.46	43.14
3	11160.00	58.3 PK	74.0	-15.7	1.00 V	155	8.59	49.71
4	11160.00	46.9 AV	54.0	-7.1	1.00 V	155	-2.81	49.71
5	#16740.00	61.5 PK	74.0	-12.5	1.00 V	35	5.08	56.42
6	#16740.00	49.5 AV	54.0	-4.5	1.00 V	35	-6.92	56.42

REMARKS:

1. Emission level (dBuV/m) = Raw Value (dBuV) + Correction Factor (dB/m).
2. Correction Factor (dB/m) = Antenna Factor (dB/m) + Cable Factor (dB).
3. The other emission levels were very low against the limit.
4. Margin value = Emission level – Limit value.
5. " * ": Fundamental frequency.
6. " # ": The radiated frequency is out of the restricted band.



A D T

CHANNEL	TX Channel 132	DETECTOR FUNCTION	Peak (PK)
FREQUENCY RANGE	1GHz ~ 40GHz		Average (AV)

ANTENNA POLARITY & TEST DISTANCE: HORIZONTAL AT 3 M

NO.	FREQ. (MHz)	EMISSION LEVEL (dBuV/m)	LIMIT (dBuV/m)	MARGIN (dB)	ANTENNA HEIGHT (m)	TABLE ANGLE (Degree)	RAW VALUE (dBuV)	CORRECTION FACTOR (dB/m)
1	*5660.00	109.9 PK			1.00 H	342	66.66	43.24
2	*5660.00	98.8 AV			1.00 H	342	55.56	43.24
3	11320.00	59.5 PK	74.0	-14.5	1.00 H	219	9.40	50.10
4	11320.00	46.9 AV	54.0	-7.1	1.00 H	219	-3.20	50.10
5	#16980.00	61.3 PK	74.0	-12.7	1.00 H	163	4.12	57.18
6	#16980.00	49.1 AV	54.0	-4.9	1.00 H	163	-8.08	57.18

ANTENNA POLARITY & TEST DISTANCE: VERTICAL AT 3 M

NO.	FREQ. (MHz)	EMISSION LEVEL (dBuV/m)	LIMIT (dBuV/m)	MARGIN (dB)	ANTENNA HEIGHT (m)	TABLE ANGLE (Degree)	RAW VALUE (dBuV)	CORRECTION FACTOR (dB/m)
1	*5660.00	107.5 PK			1.00 V	39	64.26	43.24
2	*5660.00	96.9 AV			1.00 V	39	53.66	43.24
3	11320.00	58.6 PK	74.0	-15.4	1.00 V	151	8.50	50.10
4	11320.00	46.5 AV	54.0	-7.5	1.00 V	151	-3.60	50.10
5	#16980.00	61.9 PK	74.0	-12.1	1.00 V	39	4.72	57.18
6	#16980.00	50.1 AV	54.0	-3.9	1.00 V	39	-7.08	57.18

REMARKS:

1. Emission level (dBuV/m) = Raw Value (dBuV) + Correction Factor (dB/m).
2. Correction Factor (dB/m) = Antenna Factor (dB/m) + Cable Factor (dB).
3. The other emission levels were very low against the limit.
4. Margin value = Emission level – Limit value.
5. " * ": Fundamental frequency.
6. " # ": The radiated frequency is out of the restricted band.



A D T

CHANNEL	TX Channel 140	DETECTOR FUNCTION	Peak (PK)
FREQUENCY RANGE	1GHz ~ 40GHz		Average (AV)

ANTENNA POLARITY & TEST DISTANCE: HORIZONTAL AT 3 M

NO.	FREQ. (MHz)	EMISSION LEVEL (dBuV/m)	LIMIT (dBuV/m)	MARGIN (dB)	ANTENNA HEIGHT (m)	TABLE ANGLE (Degree)	RAW VALUE (dBuV)	CORRECTION FACTOR (dB/m)
1	*5700.00	108.9 PK			1.09 H	330	65.63	43.27
2	*5700.00	98.7 AV			1.09 H	330	55.43	43.27
3	#5725.00	72.1 PK	74.0	-1.9	1.09 H	330	28.80	43.30
4	#5725.00	52.9 AV	54.0	-1.1	1.09 H	330	9.60	43.30
5	11400.00	59.3 PK	74.0	-14.7	1.00 H	221	9.38	49.92
6	11400.00	46.5 AV	54.0	-7.5	1.00 H	221	-3.42	49.92
7	#17100.00	61.6 PK	74.0	-12.4	1.00 H	159	4.52	57.08
8	#17100.00	49.3 AV	54.0	-4.7	1.00 H	159	-7.78	57.08

ANTENNA POLARITY & TEST DISTANCE: VERTICAL AT 3 M

NO.	FREQ. (MHz)	EMISSION LEVEL (dBuV/m)	LIMIT (dBuV/m)	MARGIN (dB)	ANTENNA HEIGHT (m)	TABLE ANGLE (Degree)	RAW VALUE (dBuV)	CORRECTION FACTOR (dB/m)
1	*5700.00	107.3 PK			1.16 V	15	64.03	43.27
2	*5700.00	97.5 AV			1.16 V	15	54.23	43.27
3	#5725.00	72.8 PK	74.0	-1.2	1.16 V	15	29.50	43.30
4	#5725.00	52.3 AV	54.0	-1.7	1.16 V	15	9.00	43.30
5	11400.00	58.6 PK	74.0	-15.4	1.00 V	153	8.68	49.92
6	11400.00	46.7 AV	54.0	-7.3	1.00 V	153	-3.22	49.92
7	#17100.00	61.3 PK	74.0	-12.7	1.00 V	36	4.22	57.08
8	#17100.00	49.3 AV	54.0	-4.7	1.00 V	36	-7.78	57.08

REMARKS:

1. Emission level (dBuV/m) = Raw Value (dBuV) + Correction Factor (dB/m).
2. Correction Factor (dB/m) = Antenna Factor (dB/m) + Cable Factor (dB).
3. The other emission levels were very low against the limit.
4. Margin value = Emission level – Limit value.
5. " * ": Fundamental frequency.
6. " # ": The radiated frequency is out of the restricted band.



A D T

802.11n (20MHz)

CHANNEL	TX Channel 52	DETECTOR FUNCTION	Peak (PK)
FREQUENCY RANGE	1GHz ~ 40GHz		Average (AV)

ANTENNA POLARITY & TEST DISTANCE: HORIZONTAL AT 3 M

NO.	FREQ. (MHz)	EMISSION LEVEL (dBuV/m)	LIMIT (dBuV/m)	MARGIN (dB)	ANTENNA HEIGHT (m)	TABLE ANGLE (Degree)	RAW VALUE (dBuV)	CORRECTION FACTOR (dB/m)
1	5150.00	57.4 PK	74.0	-16.6	1.27 H	306	15.10	42.30
2	5150.00	44.6 AV	54.0	-9.4	1.27 H	306	2.30	42.30
3	*5260.00	111.1 PK			1.27 H	306	68.56	42.54
4	*5260.00	100.8 AV			1.27 H	306	58.26	42.54
5	#10520.00	59.6 PK	74.0	-14.4	1.00 H	231	10.11	49.49
6	#10520.00	47.7 AV	54.0	-6.3	1.00 H	231	-1.79	49.49
7	15780.00	61.5 PK	74.0	-12.5	1.00 H	179	6.61	54.89
8	15780.00	50.7 AV	54.0	-3.3	1.00 H	179	-4.19	54.89

ANTENNA POLARITY & TEST DISTANCE: VERTICAL AT 3 M

NO.	FREQ. (MHz)	EMISSION LEVEL (dBuV/m)	LIMIT (dBuV/m)	MARGIN (dB)	ANTENNA HEIGHT (m)	TABLE ANGLE (Degree)	RAW VALUE (dBuV)	CORRECTION FACTOR (dB/m)
1	5150.00	57.8 PK	74.0	-16.2	1.00 V	321	15.50	42.30
2	5150.00	44.1 AV	54.0	-9.9	1.00 V	321	1.80	42.30
3	*5260.00	108.6 PK			1.00 V	321	66.06	42.54
4	*5260.00	98.6 AV			1.00 V	321	56.06	42.54
5	#10520.00	58.1 PK	74.0	-15.9	1.00 V	155	8.61	49.49
6	#10520.00	46.1 AV	54.0	-7.9	1.00 V	155	-3.39	49.49
7	15780.00	61.5 PK	74.0	-12.5	1.00 V	41	6.61	54.89
8	15780.00	50.6 AV	54.0	-3.4	1.00 V	41	-4.29	54.89

REMARKS:

1. Emission level (dBuV/m) = Raw Value (dBuV) + Correction Factor (dB/m).
2. Correction Factor (dB/m) = Antenna Factor (dB/m) + Cable Factor (dB).
3. The other emission levels were very low against the limit.
4. Margin value = Emission level – Limit value.
5. " * ": Fundamental frequency.
6. " # ": The radiated frequency is out of the restricted band.



A D T

CHANNEL	TX Channel 60	DETECTOR FUNCTION	Peak (PK)
FREQUENCY RANGE	1GHz ~ 40GHz		Average (AV)

ANTENNA POLARITY & TEST DISTANCE: HORIZONTAL AT 3 M

NO.	FREQ. (MHz)	EMISSION LEVEL (dBuV/m)	LIMIT (dBuV/m)	MARGIN (dB)	ANTENNA HEIGHT (m)	TABLE ANGLE (Degree)	RAW VALUE (dBuV)	CORRECTION FACTOR (dB/m)
1	*5300.00	110.8 PK			1.27 H	305	68.22	42.58
2	*5300.00	100.5 AV			1.27 H	305	57.92	42.58
3	10600.00	58.8 PK	74.0	-15.2	1.02 H	203	9.45	49.35
4	10600.00	46.0 AV	54.0	-8.0	1.02 H	203	-3.35	49.35
5	15900.00	61.9 PK	74.0	-12.1	1.00 H	174	6.81	55.09
6	15900.00	50.6 AV	54.0	-3.4	1.00 H	174	-4.49	55.09

ANTENNA POLARITY & TEST DISTANCE: VERTICAL AT 3 M

NO.	FREQ. (MHz)	EMISSION LEVEL (dBuV/m)	LIMIT (dBuV/m)	MARGIN (dB)	ANTENNA HEIGHT (m)	TABLE ANGLE (Degree)	RAW VALUE (dBuV)	CORRECTION FACTOR (dB/m)
1	*5300.00	108.6 PK			1.00 V	322	66.02	42.58
2	*5300.00	98.6 AV			1.00 V	322	56.02	42.58
3	10600.00	58.7 PK	74.0	-15.3	1.00 V	160	9.35	49.35
4	10600.00	46.5 AV	54.0	-7.5	1.00 V	160	-2.85	49.35
5	15900.00	61.6 PK	74.0	-12.4	1.00 V	45	6.51	55.09
6	15900.00	50.3 AV	54.0	-3.7	1.00 V	45	-4.79	55.09

REMARKS:

1. Emission level (dBuV/m) = Raw Value (dBuV) + Correction Factor (dB/m).
2. Correction Factor (dB/m) = Antenna Factor (dB/m) + Cable Factor (dB).
3. The other emission levels were very low against the limit.
4. Margin value = Emission level – Limit value.
5. " * ": Fundamental frequency.



A D T

CHANNEL	TX Channel 64	DETECTOR FUNCTION	Peak (PK)
FREQUENCY RANGE	1GHz ~ 40GHz		Average (AV)

ANTENNA POLARITY & TEST DISTANCE: HORIZONTAL AT 3 M

NO.	FREQ. (MHz)	EMISSION LEVEL (dBuV/m)	LIMIT (dBuV/m)	MARGIN (dB)	ANTENNA HEIGHT (m)	TABLE ANGLE (Degree)	RAW VALUE (dBuV)	CORRECTION FACTOR (dB/m)
1	*5320.00	108.8 PK			1.28 H	303	66.21	42.59
2	*5320.00	98.7 AV			1.28 H	303	56.11	42.59
3	5350.00	57.8 PK	74.0	-16.2	1.28 H	303	15.21	42.59
4	5350.00	47.5 AV	54.0	-6.5	1.28 H	303	4.91	42.59
5	10640.00	58.9 PK	74.0	-15.1	1.06 H	206	9.44	49.46
6	10640.00	45.9 AV	54.0	-8.1	1.06 H	206	-3.56	49.46
7	15960.00	62.2 PK	74.0	-11.8	1.01 H	184	7.37	54.83
8	15960.00	50.9 AV	54.0	-3.1	1.01 H	184	-3.93	54.83

ANTENNA POLARITY & TEST DISTANCE: VERTICAL AT 3 M

NO.	FREQ. (MHz)	EMISSION LEVEL (dBuV/m)	LIMIT (dBuV/m)	MARGIN (dB)	ANTENNA HEIGHT (m)	TABLE ANGLE (Degree)	RAW VALUE (dBuV)	CORRECTION FACTOR (dB/m)
1	*5320.00	105.1 PK			1.00 V	325	62.51	42.59
2	*5320.00	96.5 AV			1.00 V	325	53.91	42.59
3	5350.00	56.9 PK	74.0	-17.1	1.00 V	325	14.31	42.59
4	5350.00	44.9 AV	54.0	-9.1	1.00 V	325	2.31	42.59
5	10640.00	58.9 PK	74.0	-15.1	1.00 V	150	9.44	49.46
6	10640.00	46.7 AV	54.0	-7.3	1.00 V	150	-2.76	49.46
7	15960.00	61.5 PK	74.0	-12.5	1.03 V	30	6.67	54.83
8	15960.00	50.4 AV	54.0	-3.6	1.03 V	30	-4.43	54.83

REMARKS:

1. Emission level (dBuV/m) = Raw Value (dBuV) + Correction Factor (dB/m).
2. Correction Factor (dB/m) = Antenna Factor (dB/m) + Cable Factor (dB).
3. The other emission levels were very low against the limit.
4. Margin value = Emission level – Limit value.
5. " * ": Fundamental frequency.



A D T

CHANNEL	TX Channel 100	DETECTOR FUNCTION	Peak (PK)
FREQUENCY RANGE	1GHz ~ 40GHz		Average (AV)

ANTENNA POLARITY & TEST DISTANCE: HORIZONTAL AT 3 M

NO.	FREQ. (MHz)	EMISSION LEVEL (dBuV/m)	LIMIT (dBuV/m)	MARGIN (dB)	ANTENNA HEIGHT (m)	TABLE ANGLE (Degree)	RAW VALUE (dBuV)	CORRECTION FACTOR (dB/m)
1	5460.00	58.9 PK	74.0	-15.1	1.37 H	334	16.08	42.82
2	5460.00	47.2 AV	54.0	-6.8	1.37 H	334	4.38	42.82
3	#5470.00	64.9 PK	74.0	-9.1	1.37 H	334	22.05	42.85
4	#5470.00	51.0 AV	54.0	-3.0	1.37 H	334	8.15	42.85
5	*5500.00	111.6 PK			1.37 H	334	68.64	42.96
6	*5500.00	100.2 AV			1.37 H	334	57.24	42.96
7	11000.00	58.3 PK	74.0	-15.7	1.03 H	178	8.29	50.01
8	11000.00	45.7 AV	54.0	-8.3	1.03 H	178	-4.31	50.01
9	#16500.00	61.4 PK	74.0	-12.6	1.00 H	173	5.03	56.37
10	#16500.00	49.3 AV	54.0	-4.7	1.00 H	173	-7.07	56.37

ANTENNA POLARITY & TEST DISTANCE: VERTICAL AT 3 M

NO.	FREQ. (MHz)	EMISSION LEVEL (dBuV/m)	LIMIT (dBuV/m)	MARGIN (dB)	ANTENNA HEIGHT (m)	TABLE ANGLE (Degree)	RAW VALUE (dBuV)	CORRECTION FACTOR (dB/m)
1	5460.00	58.1 PK	74.0	-15.9	1.00 V	327	15.28	42.82
2	5460.00	46.8 AV	54.0	-7.2	1.00 V	327	3.98	42.82
3	#5470.00	65.3 PK	74.0	-8.7	1.00 V	327	22.45	42.85
4	#5470.00	51.7 AV	54.0	-2.3	1.00 V	327	8.85	42.85
5	*5500.00	110.6 PK			1.00 V	327	67.64	42.96
6	*5500.00	99.6 AV			1.00 V	327	56.64	42.96
7	11000.00	58.3 PK	74.0	-15.7	1.00 V	145	8.29	50.01
8	11000.00	46.2 AV	54.0	-7.8	1.00 V	145	-3.81	50.01
9	#16500.00	60.7 PK	74.0	-13.3	1.00 V	32	4.33	56.37
10	#16500.00	48.6 AV	54.0	-5.4	1.00 V	32	-7.77	56.37

REMARKS:

1. Emission level (dBuV/m) = Raw Value (dBuV) + Correction Factor (dB/m).
2. Correction Factor (dB/m) = Antenna Factor (dB/m) + Cable Factor (dB).
3. The other emission levels were very low against the limit.
4. Margin value = Emission level – Limit value.
5. " * ": Fundamental frequency.
6. " # ": The radiated frequency is out of the restricted band.



A D T

CHANNEL	TX Channel 116	DETECTOR FUNCTION	Peak (PK)
FREQUENCY RANGE	1GHz ~ 40GHz		Average (AV)

ANTENNA POLARITY & TEST DISTANCE: HORIZONTAL AT 3 M

NO.	FREQ. (MHz)	EMISSION LEVEL (dBuV/m)	LIMIT (dBuV/m)	MARGIN (dB)	ANTENNA HEIGHT (m)	TABLE ANGLE (Degree)	RAW VALUE (dBuV)	CORRECTION FACTOR (dB/m)
1	*5580.00	111.4 PK			1.31 H	333	68.26	43.14
2	*5580.00	100.4 AV			1.31 H	333	57.26	43.14
3	11160.00	57.2 PK	74.0	-16.8	1.00 H	218	7.49	49.71
4	11160.00	46.2 AV	54.0	-7.8	1.00 H	218	-3.51	49.71
5	#16740.00	61.5 PK	74.0	-12.5	1.00 H	154	5.08	56.42
6	#16740.00	49.6 AV	54.0	-4.4	1.00 H	154	-6.82	56.42

ANTENNA POLARITY & TEST DISTANCE: VERTICAL AT 3 M

NO.	FREQ. (MHz)	EMISSION LEVEL (dBuV/m)	LIMIT (dBuV/m)	MARGIN (dB)	ANTENNA HEIGHT (m)	TABLE ANGLE (Degree)	RAW VALUE (dBuV)	CORRECTION FACTOR (dB/m)
1	*5580.00	110.9 PK			1.00 V	328	67.76	43.14
2	*5580.00	99.8 AV			1.00 V	328	56.66	43.14
3	11160.00	58.2 PK	74.0	-15.8	1.00 V	153	8.49	49.71
4	11160.00	46.2 AV	54.0	-7.8	1.00 V	153	-3.51	49.71
5	#16740.00	61.7 PK	74.0	-12.3	1.00 V	38	5.28	56.42
6	#16740.00	49.3 AV	54.0	-4.7	1.00 V	38	-7.12	56.42

REMARKS:

1. Emission level (dBuV/m) = Raw Value (dBuV) + Correction Factor (dB/m).
2. Correction Factor (dB/m) = Antenna Factor (dB/m) + Cable Factor (dB).
3. The other emission levels were very low against the limit.
4. Margin value = Emission level – Limit value.
5. " * ": Fundamental frequency.
6. " # ": The radiated frequency is out of the restricted band.



A D T

CHANNEL	TX Channel 132	DETECTOR FUNCTION	Peak (PK)
FREQUENCY RANGE	1GHz ~ 40GHz		Average (AV)

ANTENNA POLARITY & TEST DISTANCE: HORIZONTAL AT 3 M

NO.	FREQ. (MHz)	EMISSION LEVEL (dBuV/m)	LIMIT (dBuV/m)	MARGIN (dB)	ANTENNA HEIGHT (m)	TABLE ANGLE (Degree)	RAW VALUE (dBuV)	CORRECTION FACTOR (dB/m)
1	*5660.00	111.9 PK			1.32 H	326	68.66	43.24
2	*5660.00	100.5 AV			1.32 H	326	57.26	43.24
3	11320.00	57.9 PK	74.0	-16.1	1.02 H	218	7.80	50.10
4	11320.00	45.4 AV	54.0	-8.6	1.02 H	218	-4.70	50.10
5	#16980.00	61.7 PK	74.0	-12.3	1.00 H	148	4.52	57.18
6	#16980.00	49.8 AV	54.0	-4.2	1.00 H	148	-7.38	57.18

ANTENNA POLARITY & TEST DISTANCE: VERTICAL AT 3 M

NO.	FREQ. (MHz)	EMISSION LEVEL (dBuV/m)	LIMIT (dBuV/m)	MARGIN (dB)	ANTENNA HEIGHT (m)	TABLE ANGLE (Degree)	RAW VALUE (dBuV)	CORRECTION FACTOR (dB/m)
1	*5660.00	111.1 PK			1.00 V	321	67.86	43.24
2	*5660.00	99.9 AV			1.00 V	321	56.66	43.24
3	11320.00	58.7 PK	74.0	-15.3	1.00 V	147	8.60	50.10
4	11320.00	46.5 AV	54.0	-7.5	1.00 V	147	-3.60	50.10
5	#16980.00	61.0 PK	74.0	-13.0	1.00 V	41	3.82	57.18
6	#16980.00	49.4 AV	54.0	-4.6	1.00 V	41	-7.78	57.18

REMARKS:

1. Emission level (dBuV/m) = Raw Value (dBuV) + Correction Factor (dB/m).
2. Correction Factor (dB/m) = Antenna Factor (dB/m) + Cable Factor (dB).
3. The other emission levels were very low against the limit.
4. Margin value = Emission level – Limit value.
5. " * ": Fundamental frequency.
6. " # ": The radiated frequency is out of the restricted band.



A D T

CHANNEL	TX Channel 140	DETECTOR FUNCTION	Peak (PK)
FREQUENCY RANGE	1GHz ~ 40GHz		Average (AV)

ANTENNA POLARITY & TEST DISTANCE: HORIZONTAL AT 3 M

NO.	FREQ. (MHz)	EMISSION LEVEL (dBuV/m)	LIMIT (dBuV/m)	MARGIN (dB)	ANTENNA HEIGHT (m)	TABLE ANGLE (Degree)	RAW VALUE (dBuV)	CORRECTION FACTOR (dB/m)
1	*5700.00	110.0 PK			1.07 H	330	66.73	43.27
2	*5700.00	99.4 AV			1.07 H	330	56.13	43.27
3	#5725.00	68.2 PK	74.0	-5.8	1.07 H	330	24.90	43.30
4	#5725.00	52.7 AV	54.0	-1.3	1.07 H	330	9.40	43.30
5	11400.00	58.5 PK	74.0	-15.5	1.05 H	195	8.58	49.92
6	11400.00	46.0 AV	54.0	-8.0	1.05 H	195	-3.92	49.92
7	#17100.00	61.3 PK	74.0	-12.7	1.00 H	183	4.22	57.08
8	#17100.00	49.8 AV	54.0	-4.2	1.00 H	183	-7.28	57.08

ANTENNA POLARITY & TEST DISTANCE: VERTICAL AT 3 M

NO.	FREQ. (MHz)	EMISSION LEVEL (dBuV/m)	LIMIT (dBuV/m)	MARGIN (dB)	ANTENNA HEIGHT (m)	TABLE ANGLE (Degree)	RAW VALUE (dBuV)	CORRECTION FACTOR (dB/m)
1	*5700.00	110.7 PK			1.00 V	326	67.43	43.27
2	*5700.00	99.3 AV			1.00 V	326	56.03	43.27
3	#5725.00	68.2 PK	74.0	-5.8	1.00 V	326	24.90	43.30
4	#5725.00	51.8 AV	54.0	-2.2	1.00 V	326	8.50	43.30
5	11400.00	59.0 PK	74.0	-15.0	1.00 V	156	9.08	49.92
6	11400.00	46.6 AV	54.0	-7.4	1.00 V	156	-3.32	49.92
7	#17100.00	61.6 PK	74.0	-12.4	1.05 V	30	4.52	57.08
8	#17100.00	49.2 AV	54.0	-4.8	1.05 V	30	-7.88	57.08

REMARKS:

1. Emission level (dBuV/m) = Raw Value (dBuV) + Correction Factor (dB/m).
2. Correction Factor (dB/m) = Antenna Factor (dB/m) + Cable Factor (dB).
3. The other emission levels were very low against the limit.
4. Margin value = Emission level – Limit value.
5. " * ": Fundamental frequency.
6. " # ": The radiated frequency is out of the restricted band.



A D T

802.11n (40MHz)

CHANNEL	TX Channel 54	DETECTOR FUNCTION	Peak (PK)
FREQUENCY RANGE	1GHz ~ 40GHz		Average (AV)

ANTENNA POLARITY & TEST DISTANCE: HORIZONTAL AT 3 M

NO.	FREQ. (MHz)	EMISSION LEVEL (dBuV/m)	LIMIT (dBuV/m)	MARGIN (dB)	ANTENNA HEIGHT (m)	TABLE ANGLE (Degree)	RAW VALUE (dBuV)	CORRECTION FACTOR (dB/m)
1	5150.00	57.4 PK	74.0	-16.6	1.05 H	335	15.10	42.30
2	5150.00	45.8 AV	54.0	-8.2	1.05 H	335	3.50	42.30
3	*5270.00	108.5 PK			1.05 H	335	65.95	42.55
4	*5270.00	97.8 AV			1.05 H	335	55.25	42.55
5	#10540.00	58.3 PK	74.0	-15.7	1.05 H	194	8.84	49.46
6	#10540.00	46.4 AV	54.0	-7.6	1.05 H	194	-3.06	49.46
7	15810.00	61.3 PK	74.0	-12.7	1.00 H	339	6.34	54.96
8	15810.00	50.1 AV	54.0	-3.9	1.00 H	339	-4.86	54.96

ANTENNA POLARITY & TEST DISTANCE: VERTICAL AT 3 M

NO.	FREQ. (MHz)	EMISSION LEVEL (dBuV/m)	LIMIT (dBuV/m)	MARGIN (dB)	ANTENNA HEIGHT (m)	TABLE ANGLE (Degree)	RAW VALUE (dBuV)	CORRECTION FACTOR (dB/m)
1	5150.00	57.1 PK	74.0	-16.9	1.08 V	311	14.80	42.30
2	5150.00	44.5 AV	54.0	-9.5	1.08 V	311	2.20	42.30
3	*5270.00	106.9 PK			1.08 V	311	64.35	42.55
4	*5270.00	95.3 AV			1.08 V	311	52.75	42.55
5	#10540.00	58.1 PK	74.0	-15.9	1.00 V	151	8.64	49.46
6	#10540.00	46.0 AV	54.0	-8.0	1.00 V	151	-3.46	49.46
7	15810.00	61.5 PK	74.0	-12.5	1.00 V	51	6.54	54.96
8	15810.00	50.3 AV	54.0	-3.7	1.00 V	51	-4.66	54.96

REMARKS:

1. Emission level (dBuV/m) = Raw Value (dBuV) + Correction Factor (dB/m).
2. Correction Factor (dB/m) = Antenna Factor (dB/m) + Cable Factor (dB).
3. The other emission levels were very low against the limit.
4. Margin value = Emission level – Limit value.
5. " * ": Fundamental frequency.
6. " # ": The radiated frequency is out of the restricted band.



A D T

CHANNEL	TX Channel 62	DETECTOR FUNCTION	Peak (PK)
FREQUENCY RANGE	1GHz ~ 40GHz		Average (AV)

ANTENNA POLARITY & TEST DISTANCE: HORIZONTAL AT 3 M

NO.	FREQ. (MHz)	EMISSION LEVEL (dBuV/m)	LIMIT (dBuV/m)	MARGIN (dB)	ANTENNA HEIGHT (m)	TABLE ANGLE (Degree)	RAW VALUE (dBuV)	CORRECTION FACTOR (dB/m)
1	*5310.00	107.5 PK			1.17 H	334	64.92	42.58
2	*5310.00	96.1 AV			1.17 H	334	53.52	42.58
3	5350.00	70.4 PK	74.0	-3.6	1.17 H	334	27.81	42.59
4	5350.00	53.0 AV	54.0	-1.0	1.17 H	334	10.41	42.59
5	10620.00	58.6 PK	74.0	-15.4	1.00 H	191	9.20	49.40
6	10620.00	46.0 AV	54.0	-8.0	1.00 H	191	-3.40	49.40
7	15930.00	61.5 PK	74.0	-12.5	1.00 H	331	6.54	54.96
8	15930.00	50.6 AV	54.0	-3.4	1.00 H	331	-4.36	54.96

ANTENNA POLARITY & TEST DISTANCE: VERTICAL AT 3 M

NO.	FREQ. (MHz)	EMISSION LEVEL (dBuV/m)	LIMIT (dBuV/m)	MARGIN (dB)	ANTENNA HEIGHT (m)	TABLE ANGLE (Degree)	RAW VALUE (dBuV)	CORRECTION FACTOR (dB/m)
1	*5310.00	105.3 PK			1.08 V	309	62.72	42.58
2	*5310.00	94.5 AV			1.08 V	309	51.92	42.58
3	5350.00	60.6 PK	74.0	-13.4	1.08 V	309	18.01	42.59
4	5350.00	49.8 AV	54.0	-4.2	1.08 V	309	7.21	42.59
5	10620.00	58.9 PK	74.0	-15.1	1.00 V	153	9.50	49.40
6	10620.00	46.6 AV	54.0	-7.4	1.00 V	153	-2.80	49.40
7	15930.00	62.3 PK	74.0	-11.7	1.00 V	60	7.34	54.96
8	15930.00	50.9 AV	54.0	-3.1	1.00 V	60	-4.06	54.96

REMARKS:

1. Emission level (dBuV/m) = Raw Value (dBuV) + Correction Factor (dB/m).
2. Correction Factor (dB/m) = Antenna Factor (dB/m) + Cable Factor (dB).
3. The other emission levels were very low against the limit.
4. Margin value = Emission level – Limit value.
5. " * ": Fundamental frequency.



A D T

CHANNEL	TX Channel 102	DETECTOR FUNCTION	Peak (PK)
FREQUENCY RANGE	1GHz ~ 40GHz		Average (AV)

ANTENNA POLARITY & TEST DISTANCE: HORIZONTAL AT 3 M

NO.	FREQ. (MHz)	EMISSION LEVEL (dBuV/m)	LIMIT (dBuV/m)	MARGIN (dB)	ANTENNA HEIGHT (m)	TABLE ANGLE (Degree)	RAW VALUE (dBuV)	CORRECTION FACTOR (dB/m)
1	5460.00	65.6 PK	74.0	-8.4	1.12 H	332	22.78	42.82
2	5460.00	52.8 AV	54.0	-1.2	1.12 H	332	9.98	42.82
3	#5470.00	66.5 PK	74.0	-7.5	1.12 H	332	23.65	42.85
4	#5470.00	52.4 AV	54.0	-1.6	1.12 H	332	9.55	42.85
5	*5510.00	106.1 PK			1.12 H	332	63.12	42.98
6	*5510.00	95.2 AV			1.12 H	332	52.22	42.98
7	11020.00	58.9 PK	74.0	-15.1	1.00 H	192	8.95	49.95
8	11020.00	46.9 AV	54.0	-7.1	1.00 H	192	-3.05	49.95
9	#16530.00	62.3 PK	74.0	-11.7	1.00 H	333	5.67	56.63
10	#16530.00	50.5 AV	54.0	-3.5	1.00 H	333	-6.13	56.63

ANTENNA POLARITY & TEST DISTANCE: VERTICAL AT 3 M

NO.	FREQ. (MHz)	EMISSION LEVEL (dBuV/m)	LIMIT (dBuV/m)	MARGIN (dB)	ANTENNA HEIGHT (m)	TABLE ANGLE (Degree)	RAW VALUE (dBuV)	CORRECTION FACTOR (dB/m)
1	5460.00	59.1 PK	74.0	-14.9	1.09 V	312	16.28	42.82
2	5460.00	47.8 AV	54.0	-6.2	1.09 V	312	4.98	42.82
3	#5470.00	66.5 PK	74.0	-7.5	1.09 V	312	23.65	42.85
4	#5470.00	52.8 AV	54.0	-1.2	1.09 V	312	9.95	42.85
5	*5510.00	104.9 PK			1.09 V	312	61.92	42.98
6	*5510.00	93.8 AV			1.09 V	312	50.82	42.98
7	11020.00	58.4 PK	74.0	-15.6	1.00 V	151	8.45	49.95
8	11020.00	46.7 AV	54.0	-7.3	1.00 V	151	-3.25	49.95
9	#16530.00	62.6 PK	74.0	-11.4	1.00 V	53	5.97	56.63
10	#16530.00	50.8 AV	54.0	-3.2	1.00 V	53	-5.83	56.63

REMARKS:

1. Emission level (dBuV/m) = Raw Value (dBuV) + Correction Factor (dB/m).
2. Correction Factor (dB/m) = Antenna Factor (dB/m) + Cable Factor (dB).
3. The other emission levels were very low against the limit.
4. Margin value = Emission level – Limit value.
5. " * ": Fundamental frequency.
6. " # ": The radiated frequency is out of the restricted band.



A D T

CHANNEL	TX Channel 110	DETECTOR FUNCTION	Peak (PK)
FREQUENCY RANGE	1GHz ~ 40GHz		Average (AV)

ANTENNA POLARITY & TEST DISTANCE: HORIZONTAL AT 3 M

NO.	FREQ. (MHz)	EMISSION LEVEL (dBuV/m)	LIMIT (dBuV/m)	MARGIN (dB)	ANTENNA HEIGHT (m)	TABLE ANGLE (Degree)	RAW VALUE (dBuV)	CORRECTION FACTOR (dB/m)
1	*5550.00	109.5 PK			1.13 H	331	66.42	43.08
2	*5550.00	97.6 AV			1.13 H	331	54.52	43.08
3	11100.00	58.6 PK	74.0	-15.4	1.00 H	193	8.90	49.70
4	11100.00	46.3 AV	54.0	-7.7	1.00 H	193	-3.40	49.70
5	#16650.00	62.5 PK	74.0	-11.5	1.00 H	321	5.60	56.90
6	#16650.00	50.4 AV	54.0	-3.6	1.00 H	321	-6.50	56.90

ANTENNA POLARITY & TEST DISTANCE: VERTICAL AT 3 M

NO.	FREQ. (MHz)	EMISSION LEVEL (dBuV/m)	LIMIT (dBuV/m)	MARGIN (dB)	ANTENNA HEIGHT (m)	TABLE ANGLE (Degree)	RAW VALUE (dBuV)	CORRECTION FACTOR (dB/m)
1	*5550.00	107.3 PK			1.08 V	321	64.22	43.08
2	*5550.00	95.3 AV			1.08 V	321	52.22	43.08
3	11100.00	58.5 PK	74.0	-15.5	1.00 V	153	8.80	49.70
4	11100.00	46.3 AV	54.0	-7.7	1.00 V	153	-3.40	49.70
5	#16650.00	62.9 PK	74.0	-11.1	1.00 V	51	6.00	56.90
6	#16650.00	51.2 AV	54.0	-2.8	1.00 V	51	-5.70	56.90

REMARKS:

1. Emission level (dBuV/m) = Raw Value (dBuV) + Correction Factor (dB/m).
2. Correction Factor (dB/m) = Antenna Factor (dB/m) + Cable Factor (dB).
3. The other emission levels were very low against the limit.
4. Margin value = Emission level – Limit value.
5. " * ": Fundamental frequency.
6. " # ": The radiated frequency is out of the restricted band.



A D T

CHANNEL	TX Channel 134	DETECTOR FUNCTION	Peak (PK)
FREQUENCY RANGE	1GHz ~ 40GHz		Average (AV)

ANTENNA POLARITY & TEST DISTANCE: HORIZONTAL AT 3 M

NO.	FREQ. (MHz)	EMISSION LEVEL (dBuV/m)	LIMIT (dBuV/m)	MARGIN (dB)	ANTENNA HEIGHT (m)	TABLE ANGLE (Degree)	RAW VALUE (dBuV)	CORRECTION FACTOR (dB/m)
1	*5670.00	109.4 PK			1.10 H	330	66.15	43.25
2	*5670.00	97.5 AV			1.10 H	330	54.25	43.25
3	#5725.00	64.2 PK	74.0	-9.8	1.10 H	330	20.90	43.30
4	#5725.00	50.1 AV	54.0	-3.9	1.10 H	330	6.80	43.30
5	11340.00	58.6 PK	74.0	-15.4	1.00 H	196	8.54	50.06
6	11340.00	46.1 AV	54.0	-7.9	1.00 H	196	-3.96	50.06
7	#17010.00	62.7 PK	74.0	-11.3	1.00 H	326	5.42	57.28
8	#17010.00	50.4 AV	54.0	-3.6	1.00 H	326	-6.88	57.28

ANTENNA POLARITY & TEST DISTANCE: VERTICAL AT 3 M

NO.	FREQ. (MHz)	EMISSION LEVEL (dBuV/m)	LIMIT (dBuV/m)	MARGIN (dB)	ANTENNA HEIGHT (m)	TABLE ANGLE (Degree)	RAW VALUE (dBuV)	CORRECTION FACTOR (dB/m)
1	*5670.00	107.6 PK			1.10 V	315	64.35	43.25
2	*5670.00	95.6 AV			1.10 V	315	52.35	43.25
3	#5725.00	60.8 PK	74.0	-13.2	1.10 V	315	17.50	43.30
4	#5725.00	46.8 AV	54.0	-7.2	1.10 V	315	3.50	43.30
5	11340.00	58.4 PK	74.0	-15.6	1.00 V	156	8.34	50.06
6	11340.00	46.2 AV	54.0	-7.8	1.00 V	156	-3.86	50.06
7	#17010.00	62.5 PK	74.0	-11.5	1.00 V	56	5.22	57.28
8	#17010.00	50.8 AV	54.0	-3.2	1.00 V	56	-6.48	57.28

REMARKS:

1. Emission level (dBuV/m) = Raw Value (dBuV) + Correction Factor (dB/m).
2. Correction Factor (dB/m) = Antenna Factor (dB/m) + Cable Factor (dB).
3. The other emission levels were very low against the limit.
4. Margin value = Emission level – Limit value.
5. " * ": Fundamental frequency.
6. " # ": The radiated frequency is out of the restricted band.



A D T

4.3 TRANSMIT POWER MEASUREMENT

4.3.1 LIMITS OF TRANSMIT POWER MEASUREMENT

Frequency Band	Limit
5.15 – 5.25GHz	The lesser of 50mW (17dBm) or 4dBm + 10logB
5.25 – 5.35GHz	The lesser of 250mW (24dBm) or 11dBm + 10logB
5.47 – 5.725GHz	The lesser of 250mW (24dBm) or 11dBm + 10logB
5.725 – 5.825GHz	The lesser of 1W (30dBm) or 17dBm + 10logB

NOTE: Where B is the 26dB emission bandwidth in MHz.

Per KDB 662911 D01 Multiple Transmitter Output v01r02 Method of conducted output power measurement on IEEE 802.11 devices,

- Array Gain = 0 dB (i.e., no array gain) for NANT ≤ 4;
- Array Gain = 0 dB (i.e., no array gain) for channel widths ≥ 40 MHz for any NANT;
- Array Gain = 5 log(NANT/NSS) dB or 3 dB, whichever is less for 20-MHz channel widths with NANT ≥ 5.

For power measurements on all other devices: Array Gain = 10 log(NANT/NSS) dB.

4.3.2 TEST INSTRUMENTS

FOR POWER OUTPUT MEASUREMENT

DESCRIPTION & MANUFACTURER	MODEL NO.	SERIAL NO.	CALIBRATED DATE	CALIBRATED UNTIL
Power Meter	ML2495A	0824006	May 10, 2012	May 09, 2013
Power Sensor	MA2411B	0738172	May 10, 2012	May 09, 2013

Note:

1. The calibration interval of the above test instruments is 12 months and the calibrations are traceable to NML/ROC and NIST/USA.
2. Tested date : Nov. 22, 2012

FOR 26dB OCCUPIED BANDWIDTH

DESCRIPTION & MANUFACTURER	MODEL NO.	SERIAL NO.	CALIBRATED DATE	CALIBRATED UNTIL
Spectrum Analyzer	E4446A	MY48250254	July 09, 2012	July 08, 2013

Note:

1. The calibration interval of the above test instruments is 12 months and the calibrations are traceable to NML/ROC and NIST/USA.
2. Tested date : Nov. 22, 2012

4.3.3 TEST PROCEDURE

FOR POWER OUTPUT MEASUREMENT

An average power sensor was used on the output port of the EUT. A power meter was used to read the response of the average power sensor. Record the power level.

FOR 26dB OCCUPIED BANDWIDTH

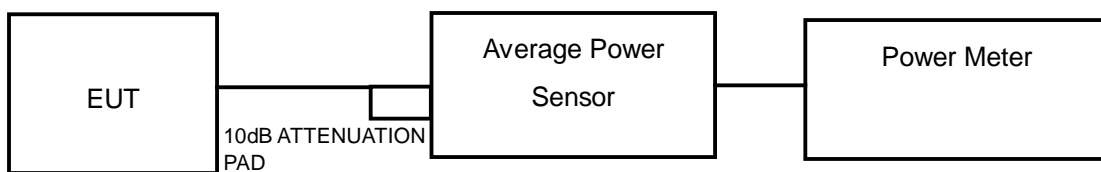
- 1) Set RBW = approximately 1% of the emission bandwidth.
- 2) Set the VBW > RBW.
- 3) Detector = Peak.
- 4) Trace mode = max hold.
- 5) Measure the maximum width of the emission that is 26 dB down from the peak of the emission. Compare this with the RBW setting of the analyzer. Readjust RBW and repeat measurement as needed until the RBW/EBW ratio is approximately 1%.

4.3.4 DEVIATION FROM TEST STANDARD

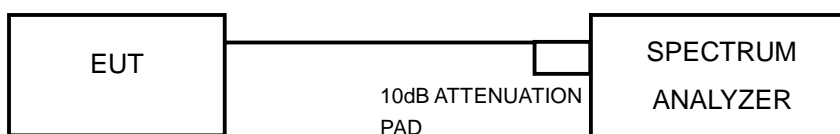
No deviation

4.3.5 TEST SETUP

FOR POWER OUTPUT MEASUREMENT



FOR 26dB OCCUPIED BANDWIDTH



4.3.6 EUT OPERATING CONDITIONS

The software provided by client to enable the EUT under transmission condition continuously at specific channel frequencies individually.



A D T

4.3.7 TEST RESULTS

POWER OUTPUT

802.11a

CHANNEL	CHANNEL FREQUENCY (MHz)	AVERAGE POWER (mW)	AVERAGE POWER (dBm)	POWER LIMIT (dBm)	PASS/FAIL
52	5260	42.658	16.3	24	PASS
60	5300	43.652	16.4	24	PASS
64	5320	43.652	16.4	24	PASS
100	5500	40.738	16.1	24	PASS
116	5580	42.658	16.3	24	PASS
132	5660	41.687	16.2	24	PASS
140	5700	40.738	16.1	24	PASS

802.11n (HT20)

CHAN.	CHAN. FREQ. (MHz)	AVERAGE POWER (dBm)		TOTAL POWER (mW)	TOTAL POWER (dBm)	POWER LIMIT (dBm)	PASS / FAIL
		CHAIN 0	CHAIN 1				
52	5260	16.8	16.1	88.601	19.47	24	PASS
60	5300	16.8	16.5	92.531	19.66	24	PASS
64	5320	16.2	16.6	87.396	19.41	24	PASS
100	5500	16.5	16.0	84.479	19.27	24	PASS
116	5580	16.2	16.2	83.374	19.21	24	PASS
132	5660	16.4	16.3	86.310	19.36	24	PASS
140	5700	14.5	14.4	55.726	17.46	24	PASS

802.11n (HT40)

CHAN.	CHAN. FREQ. (MHz)	AVERAGE POWER (dBm)		TOTAL POWER (mW)	TOTAL POWER (dBm)	POWER LIMIT (dBm)	PASS / FAIL
		CHAIN 0	CHAIN 1				
54	5270	15.8	15.1	70.378	18.47	24	PASS
62	5310	15.1	15.2	65.472	18.16	24	PASS
102	5510	13.7	12.9	42.940	16.33	24	PASS
110	5550	15.1	15.0	63.982	18.06	24	PASS
134	5670	15.0	15.1	63.982	18.06	24	PASS



A D T

26dB BANDWIDTH:

802.11a

CHANNEL	CHANNEL FREQUENCY (MHz)	26dBc BANDWIDTH (MHz)
52	5260	22.36
60	5300	20.82
64	5320	20.71
100	5500	21.68
116	5580	27.99
132	5660	31.40
140	5700	28.85

802.11n (HT20)

CHANNEL	CHANNEL FREQUENCY (MHz)	26dBc BANDWIDTH (MHz)	
		CHAIN 0	CHAIN 1
52	5260	24.20	20.44
60	5300	21.61	21.04
64	5320	21.44	20.19
100	5500	22.48	21.22
116	5580	23.58	24.74
132	5660	30.14	26.96
140	5700	24.14	21.41

802.11n (HT40)

CHANNEL	CHANNEL FREQUENCY (MHz)	26dBc BANDWIDTH (MHz)	
		CHAIN 0	CHAIN 1
54	5270	50.52	50.47
62	5310	48.80	50.12
102	5510	48.26	47.65
110	5550	62.52	53.93
134	5670	75.72	71.92

4.4 PEAK POWER SPECTRAL DENSITY MEASUREMENT

4.4.1 LIMITS OF PEAK POWER SPECTRAL DENSITY MEASUREMENT

Frequency Band	Limit
5.15 ~ 5.25GHz	4dBm
5.25 ~ 5.35GHz	11dBm
5.47 – 5.725GHz	11dBm
5.725 ~ 5.825GHz	17dBm

4.4.2 TEST INSTRUMENTS

DESCRIPTION & MANUFACTURER	MODEL NO.	SERIAL NO.	CALIBRATED DATE	CALIBRATED UNTIL
R&S Spectrum Analyzer	FSP40	100036	Dec. 14, 2011	Dec. 13, 2012

Note:

1. The calibration interval of the above test instruments is 12 months and the calibrations are traceable to NML/ROC and NIST/USA.
2. Tested date : Nov. 22, 2012

4.4.3 TEST PROCEDURES

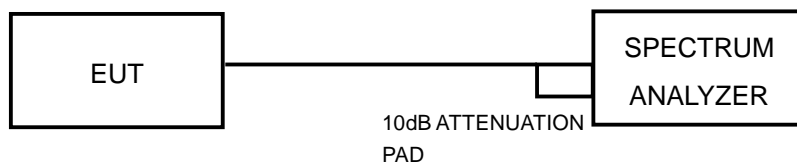
Using method SA-1

1. Set span to encompass the entire emission bandwidth (EBW) of the signal.
2. Set RBW = 1 MHz, Set VBW \geq 3 MHz, Detector = RMS
3. Sweep time = auto, trigger set to “free run”.
4. Trace average at least 100 traces in power averaging mode.
5. Record the max value.

4.4.4 DEVIATION FROM TEST STANDARD

No deviation

4.4.5 TEST SETUP



4.4.6 EUT OPERATING CONDITIONS

Same as 4.3.6



A D T

4.4.7 TEST RESULTS

802.11a

CHANNEL	FREQUENCY (MHz)	PSD (dBm)	MAXIMUM LIMIT (dBm)	PASS/FAIL
52	5260	3.47	11	PASS
60	5300	3.22	11	PASS
64	5320	3.43	11	PASS
100	5500	3.99	11	PASS
116	5580	3.41	11	PASS
132	5660	3.06	11	PASS
140	5700	2.64	11	PASS

802.11n (HT20)

CHAN.	CHAN. FREQ. (MHz)	PSD (dBm)		TOTAL POWER DENSITY (dBm)	MAX. LIMIT (dBm)	PASS / FAIL
		CHAIN 0	CHAIN 1			
52	5260	3.81	3.23	6.54	11	PASS
60	5300	3.54	1.81	5.77	11	PASS
64	5320	3.30	2.02	5.72	11	PASS
100	5500	3.58	2.20	5.95	11	PASS
116	5580	2.38	2.44	5.42	11	PASS
132	5660	2.19	1.82	5.02	11	PASS
140	5700	0.61	0.38	3.51	11	PASS

802.11n (HT40)

CHAN.	CHAN. FREQ. (MHz)	PSD (dBm)		TOTAL POWER DENSITY (dBm)	MAX. LIMIT (dBm)	PASS / FAIL
		CHAIN 0	CHAIN 1			
54	5270	-0.55	-1.61	1.96	11	PASS
62	5310	-0.88	-1.32	1.92	11	PASS
102	5510	-2.97	-4.37	-0.60	11	PASS
110	5550	-0.99	-1.70	1.68	11	PASS
134	5670	-2.12	-2.52	0.69	11	PASS

4.5 PEAK POWER EXCURSION MEASUREMENT

4.5.1 LIMITS OF PEAK POWER EXCURSION MEASUREMENT

Shall not exceed 13 dB

4.5.2 TEST INSTRUMENTS

DESCRIPTION & MANUFACTURER	MODEL NO.	SERIAL NO.	CALIBRATED DATE	CALIBRATED UNTIL
R&S Spectrum Analyzer	FSP40	100036	Dec. 14, 2011	Dec. 13, 2012

Note:

1. The calibration interval of the above test instruments is 12 months and the calibrations are traceable to NML/ROC and NIST/USA.
2. Tested date : Nov. 22, 2012

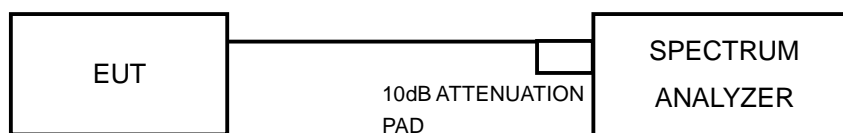
4.5.3 TEST PROCEDURE

- 1) Set RBW = 1 MHz, VBW \geq 3 MHz, Detector = peak.
- 2) Trace mode = max-hold. Allow the sweeps to continue until the trace stabilizes.
- 3) Use the peak search function to find the peak of the spectrum.
- 4) Measure the PPSD.
- 5) Compute the ratio of the maximum of the peak-max-hold spectrum to the PPSD.

4.5.4 DEVIATION FROM TEST STANDARD

No deviation

4.5.5 TEST SETUP



4.5.6 EUT OPERATING CONDITIONS

The software provided by client to enable the EUT under transmission condition continuously at specific channel frequencies individually.



A D T

4.5.7 TEST RESULTS

802.11a

CHANNEL	CHANNEL FREQUENCY (MHz)	PEAK VALUE (dBm)	PPSD (dBm)	PEAK EXCURSION (dB)	LIMIT (dB)	PASS/FAIL
52	5260	12.86	3.47	9.39	13	PASS
60	5300	12.36	3.22	9.14	13	PASS
64	5320	12.68	3.43	9.25	13	PASS
100	5500	12.83	3.99	8.84	13	PASS
116	5580	12.64	3.41	9.23	13	PASS
132	5660	12.05	3.06	8.99	13	PASS
140	5700	11.53	2.64	8.89	13	PASS

802.11n (HT20)

CHAN.	CHAN. FREQ. (MHz)	PEAK VALUE (dBm)		PPSD (dBm)		PEAK EXCURSION (dB)		LIMIT (dB)	PASS/FAIL
		CHAIN 0	CHAIN 1	CHAIN 0	CHAIN 1	CHAIN 0	CHAIN 1		
52	5260	13.38	12.00	3.81	3.23	9.57	8.77	13	PASS
60	5300	12.84	11.11	3.54	1.81	9.30	9.30	13	PASS
64	5320	12.29	11.66	3.30	2.02	8.99	9.64	13	PASS
100	5500	13.07	10.93	3.58	2.20	9.49	8.73	13	PASS
116	5580	11.59	11.50	2.38	2.44	9.21	9.06	13	PASS
132	5660	11.35	11.26	2.19	1.82	9.16	9.44	13	PASS
140	5700	9.96	9.40	0.61	0.38	9.35	9.02	13	PASS

802.11n (HT40)

CHAN.	CHAN. FREQ. (MHz)	PEAK VALUE (dBm)		PPSD (dBm)		PEAK EXCURSION (dB)		LIMIT (dB)	PASS/FAIL
		CHAIN 0	CHAIN 1	CHAIN 0	CHAIN 1	CHAIN 0	CHAIN 1		
54	5270	8.70	8.04	-0.55	-1.61	9.25	9.65	13	PASS
62	5310	8.68	7.31	-0.88	-1.32	9.56	8.63	13	PASS
102	5510	6.41	5.81	-2.97	-4.37	9.38	10.18	13	PASS
110	5550	8.71	7.77	-0.99	-1.70	9.70	9.47	13	PASS
134	5670	7.46	7.41	-2.12	-2.52	9.58	9.93	13	PASS

4.6 FREQUENCY STABILITY

4.6.1 LIMITS OF FREQUENCY STABILITY MEASUREMENT

The frequency of the carrier signal shall be maintained within band of operation

4.6.2 TEST INSTRUMENTS

DESCRIPTION & MANUFACTURER	MODEL NO.	SERIAL NO.	CALIBRATED DATE	CALIBRATED UNTIL
R&S Spectrum Analyzer	FSP40	100036	Dec. 14, 2011	Dec. 13, 2012

Note:

1. The calibration interval of the above test instruments is 12 months and the calibrations are traceable to NML/ROC and NIST/USA.
2. Tested date : Nov. 22, 2012

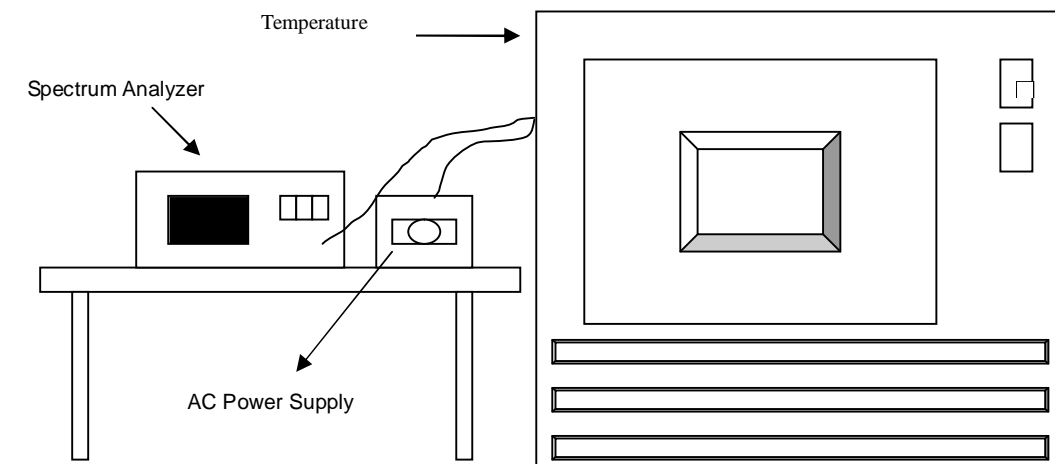
4.6.3 TEST PROCEDURE

1. The EUT was placed inside the environmental test chamber and powered by nominal AC voltage.
2. Turn the EUT on and couple its output to a spectrum analyzer.
3. Turn the EUT off and set the chamber to the highest temperature specified.
4. Allow sufficient time (approximately 30 min) for the temperature of the chamber to stabilize, turn the EUT on and measure the operating frequency after 2, 5, and 10 minutes.
5. Repeat step 2 and 3 with the temperature chamber set to the lowest temperature.
6. The test chamber was allowed to stabilize at +20 degree C for a minimum of 30 minutes. The supply voltage was then adjusted on the EUT from 85% to 115% and the frequency record.

4.6.4 DEVIATION FROM TEST STANDARD

No deviation

4.6.5 TEST SETUP



4.6.6 EUT OPERATING CONDITION

Set the EUT transmit at un-modulation mode to test frequency stability.



A D T

4.6.7 TEST RESULTS

FREQUENCY STABILITY VERSUS TEMP.									
OPERATING FREQUENCY: 5320MHz									
TEMP. (°C)	POWER SUPPLY (Vac)	0 MINUTE		2 MINUTE		5 MINUTE		10 MINUTE	
		Measured Frequency	Frequency Drift	Measured Frequency	Frequency Drift	Measured Frequency	Frequency Drift	Measured Frequency	Frequency Drift
		(MHz)	ppm	(MHz)	ppm	(MHz)	ppm	(MHz)	ppm
50	120	5320.023	4.3233	5320.0187	3.5150	5320.0186	3.4962	5320.0271	5.0940
40	120	5320.0047	0.8835	5320.005	0.9398	5320.0078	1.4662	5319.9994	-0.1128
30	120	5319.9986	-0.2632	5319.9918	-1.5414	5319.9978	-0.4135	5319.9906	-1.7669
20	120	5319.981	-3.5714	5319.9754	-4.6241	5319.9809	-3.5902	5319.9775	-4.2293
10	120	5319.9872	-2.4060	5319.9874	-2.3684	5319.9776	-4.2105	5319.9816	-3.4586
0	120	5320.0008	0.1504	5319.9984	-0.3008	5319.9965	-0.6579	5319.9989	-0.2068
-10	120	5319.9827	-3.2519	5319.9819	-3.4023	5319.9859	-2.6504	5319.9822	-3.3459
-20	120	5320.0249	4.6805	5320.0225	4.2293	5320.0206	3.8722	5320.0192	3.6090
-30	120	5320.0226	4.2481	5320.0231	4.3421	5320.0197	3.7030	5320.0166	3.1203

FREQUENCY STABILITY VERSUS VOLTAGE									
OPERATING FREQUENCY: 5320MHz									
TEMP. (°C)	POWER SUPPLY (Vac)	0 MINUTE		2 MINUTE		5 MINUTE		10 MINUTE	
		Measured Frequency	Frequency Drift	Measured Frequency	Frequency Drift	Measured Frequency	Frequency Drift	Measured Frequency	Frequency Drift
		(MHz)	ppm	(MHz)	ppm	(MHz)	ppm	(MHz)	ppm
20	138	5319.9808	-3.6090	5319.9762	-4.4737	5319.9791	-3.9286	5319.9766	-4.3985
	120	5319.981	-3.5714	5319.9754	-4.6241	5319.9809	-3.5902	5319.9775	-4.2293
	102	5319.9819	-3.4023	5319.977	-4.3233	5319.9809	-3.5902	5319.977	-4.3233



A D T

5. PHOTOGRAPHS OF THE TEST CONFIGURATION

Please refer to the attached file (Test Setup Photo).



6. INFORMATION ON THE TESTING LABORATORIES

We, Bureau Veritas Consumer Products Services (H.K.) Ltd., Taoyuan Branch, were founded in 1988 to provide our best service in EMC, Radio, Telecom and Safety consultation. Our laboratories are accredited and approved according to ISO/IEC 17025.

If you have any comments, please feel free to contact us at the following:

Linko EMC/RF Lab:

Tel: 886-2-26052180

Fax: 886-2-26052943

Hsin Chu EMC/RF Lab:

Tel: 886-3-5935343

Fax: 886-3-5935342

Hwa Ya EMC/RF/Safety/Telecom Lab:

Tel: 886-3-3183232

Fax: 886-3-3270892

Email: service.adt@tw.bureauveritas.com

Web Site: www.bureauveritas-adt.com

The address and road map of all our labs can be found in our web site also.



A D T

7. APPENDIX A - MODIFICATIONS RECORDERS FOR ENGINEERING CHANGES TO THE EUT BY THE LAB

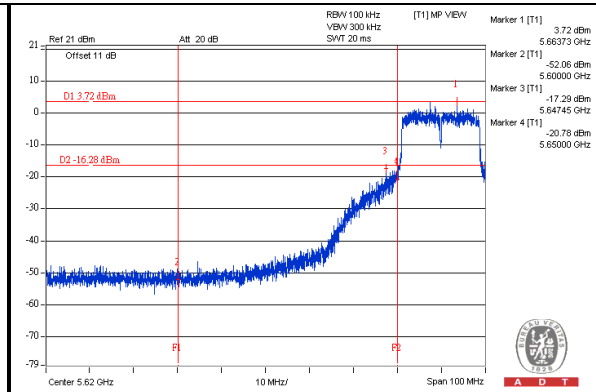
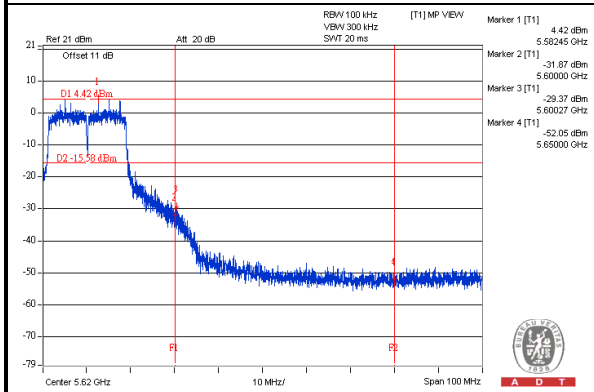
No modifications were made to the EUT by the lab during the test.



A D T

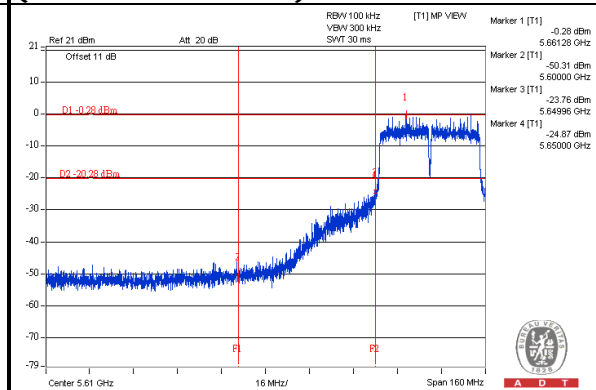
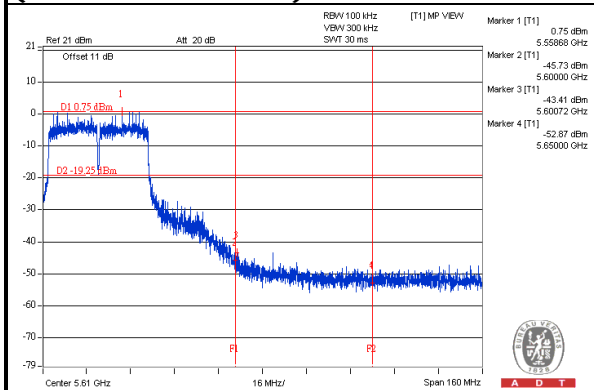
8. APPENDIX B - NOTCH BAND IN 5600-5650MHz

Verify that the 5600 - 5650 MHz band is notched.
Test results demonstrating last channel shall not exceed the band edge on 5600~5650MHz.



802.11n (20MHz) OFDM MODULATION (CH 116: 5580MHz)

802.11n (20MHz) OFDM MODULATION (CH 132: 5660MHz)



802.11n (40MHz) OFDM MODULATION (CH 110: 5550MHz)

802.11n (40MHz) OFDM MODULATION (CH 134: 5670MHz)

--- END ---