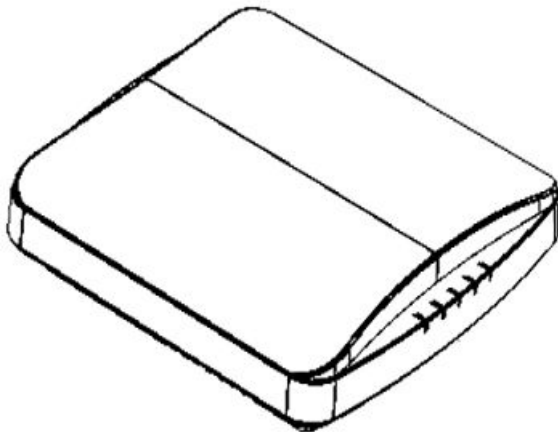


COMMSCOPE® RUCKUS®

R550p Access Point Quick Setup Guide

This Quick Setup Guide provides step-by-step instructions on how to install and begin using your Ruckus R550p dual-band 802.11ax indoor Wi-Fi access point (AP).

FIGURE 1 R550p Access Point: Top View



This Guide in Other Languages

- 请从以下网站获得该指南的简体中文版 <https://support.ruckuswireless.com>.
- Vous trouverez la version française de ce guide à l'adresse suivante <https://support.ruckuswireless.com>.
- このガイドの日本語版は <https://support.ruckuswireless.com> でご覧ください。
- 이 가이드의 한국어 버전은 웹 사이트 (<https://support.ruckuswireless.com>) 에서 확인하시기 바랍니다.
- Veja a versão em português (Brasil) deste guia em <https://support.ruckuswireless.com>.
- Puede ver la versión en español (América Latina) de esta guía en <https://support.ruckuswireless.com>.

Before You Begin

Before deploying Ruckus products, please check for the latest software and the release documentation.

- Release Notes and other user documentation are available at <http://support.ruckuswireless.com/documents>.
- Software upgrades are available at <http://support.ruckuswireless.com/software>.
- Software license and limited warranty information are available at <http://support.ruckuswireless.com/warranty>.

NOTE: The minimum software versions for the R550p AP are:

- SmartZone (SZ) 5.2 New AP Model Patch
- ZoneDirector (ZD) 10.4.1 Native Support

Package Contents

A complete R550p installation package includes all of the following items:

- R550p Access Point
- One wall-mount anchor kit, including two 1-inch No. 8 steel pan-head Phillips sheet metal screws and wall-mount anchors
- One external T-bar bracket (two unassembled parts)
- Service Level Agreement/Limited Warranty Statement
- Declaration of Conformity
- Regulatory Statement
- Ruckus Access Point Getting Started Guide
- AP Cloud Management Insert
- This *Quick Setup Guide*

Required Hardware Tools

- Admin PC (computer with an Ethernet port and Wi-Fi adapter)
- Cat 5e (or better) Ethernet cable
- Ruckus Wireless 12 VDC power adapter (sold separately) or 802.3at-compliant Power over Ethernet (PoE) switch or PoE injector

Optional hardware and tools:

Customer-ordered Ruckus Wireless 902-0120-0000 secure mounting bracket kit:

- If you are mounting the AP on a flat surface using the secure mounting bracket kit, then you need an electric drill with 4.75-mm (3/16-in.) drill bits.
- If you are mounting the AP on a pipe or pole using the secure mounting bracket kit, then you will also need a 38.1-mm to 63.5-mm (1.5-in. to 2.5-in.) pipe or pole, customer-supplied two pole clamps, and hand tools to tighten the clamps.

Step 1: Connecting Your Computer to the AP

1. Using an Ethernet cable, connect your computer network port to the PoE port on the AP. Refer to Figure 2.
2. Connect the AC cable of the AC power adapter to a convenient and protected power source. Connect the DC output cable of the AC power adapter to the 12 VDC port on the AP.

NOTE: Alternatively, connect the PoE port to a PoE injector or switch for both power and network connectivity.

Alternatively, connect the computer and the AP with a basic PoE switch in the following ways:

- a) Connect the AP to a switch port.
- b) Connect the computer to another switch port and manually assign an IP address to configure the AP.

FIGURE 2 R550p AP Ports on Bottom Panel

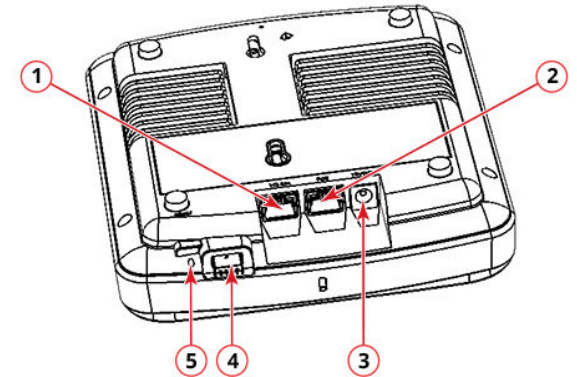


TABLE 1 R550p AP Ports

No.	Label	Description
1	1G ETH	10/100/1000 Mbps port: RJ-45 Ethernet port (non-PoE)
2	PoE	10/100/1000 Mbps PoE In Port: RJ-45 Ethernet port (supports 802.3af/at PoE)
3	12 VDC	12 VDC input
4	USB	USB Port <ul style="list-style-type: none"> ● Maximum Dimensions: 6 cm x 2 cm x 1.1 cm ● Interface: USB 2.0 ● Connector: USB - Type-A plug
5	Reset switch	Resets the AP

3. Verify that the PWR LED on the AP is lit a steady green.

Step 2: Preparing Your Computer for AP Setup

NOTE: The following procedures assume Windows is the operating system. Procedures for other operating systems are similar.

1. On your Windows PC, navigate to **Start > Control Panel > Network and Sharing Center > Change Adapter Settings** to configure your network adapter from the Local Area Connection settings.
2. Navigate to **Local Area Connection > Properties > Internet Protocol Version 4 (TCP/IPv4) > Properties** to edit the TCP/IPv4 address settings.

The **Internet Protocol Version 4 (TCP/IPv4) Properties** dialog box displays.

IMPORTANT-QSG: Write down all of the currently active settings so you can restore your computer to its current configuration later (when this process is complete).

3. Select **Use the following IP address** (if it is not already selected) and make the following entries:
 - **IP address:** 192.168.0.22 (or any available address in the 192.168.0.x network, except 192.168.0.1)
 - **Subnet mask:** 255.255.255.0
 - **Default gateway:** 192.168.0.1
 Leave the DNS server fields empty.
4. Click **OK** to save your changes. Your changes go into effect immediately.

Step 3: Logging In to the AP

NOTE: The admin PC must be directly connected to the AP through one of the Ethernet ports and powered on, ready for setup.

1. On your admin PC, open a web browser window.
2. Enter the following URL in the browser navigation bar:
https://192.168.0.1
3. Press **Enter** to initiate the connection. When the security alert dialog box displays, click **OK/Yes** to proceed.
4. When the **Ruckus Admin** login page displays, enter the following:
 - **Username:** super
 - **Password:** sp-admin
5. Click **Login**. On your first login, you will be prompted to change the default password.
6. When the **Change Password** dialog box displays, enter the following:
 - **New Password:** Enter a new password.
 - **Confirm Password:** Re-enter the new password.
7. Click **Submit**.
8. Log in using the new password.

Step 4: Customizing the Wireless Settings

TABLE 2 Default AP Settings

Network Names (SSIDs)	Wireless1—Wireless8 (2.4 GHz radio) Wireless9—Wireless16 (5 GHz radio)
Security (Encryption method)	Disabled for each wireless interface
Default Management IP Address	192.168.0.1

1. On the web interface menu, click **Configuration > Radio 2.4G** or **Configuration > Radio 5G**. The **Configure > Wireless > Common** page displays.
2. Verify that the following options are active:
Channel: SmartSelect

Country Code: If you are not located in the United States of America, select your current country.

3. Click **Update Settings** if you made any changes.
4. Click any of the **Wireless #** (Wireless LAN Number) tabs at the top of the page.
5. In **Wireless Availability**, click **Enabled**.
6. Delete the text in the **SSID** field, and type a name for your network that will help your users identify this AP in their wireless network application.
7. Click **Update Settings** to save your changes.
8. Repeat for each **Wireless #** (Wireless LAN Number) interface that you want to enable.
9. Click **Logout** to exit the web interface.
10. When the **Ruckus Admin** login page displays, exit your browser.
11. Disconnect the AP from the computer and from the power source, and restore your computer to its original network connection configuration settings.

Step 5: Placing the AP in Your Site

1. Move the AP to its permanent location (accessible to both power and network connections). For installation instructions, refer to "Mounting Instructions."
2. Use an Ethernet cable to connect the PoE port to an appropriate device:
 - The network device of the ISP or carrier.
 - An Ethernet switch that is connected to the network device of the ISP or carrier.
3. Connect the AP power adapter (or PoE power supply) to the AP, and connect to a convenient power source.

NOTE: If you will be using PoE, you must use a Cat 5e (or better) Ethernet cable to connect the AP to the PoE switch or PoE injector.

4. Verify that the PoE port LED is lit.
After a short pause to re-establish the Internet connection, you can test the AP.

Step 6: Verifying the Installation

1. Using any wireless-enabled computer or mobile device, search for and select the wireless network you previously configured.
2. When connected, open a browser and connect to any public website. Congratulations! Your wireless network is active and ready for use.

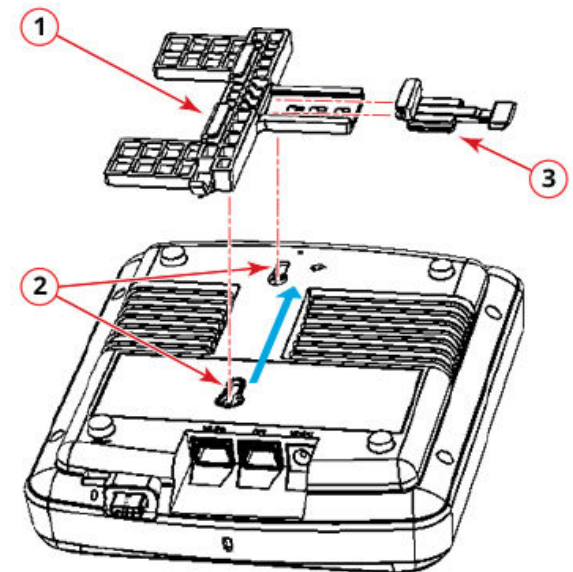
Mounting Instructions

Mounting on a Drop-Ceiling T-Bar

The factory-supplied T-bar mounting assembly kit allows you to attach the AP to recessed and flush drop-ceiling T-bars.

1. Position the studs on the bottom of the T-bar bracket (1 in Figure 3) in the keyholes on the AP enclosure.
2. Slide the T-bar bracket away from the Ethernet ports on the bottom of the AP until the AP retainer tab snaps into place, trapping the T-bar bracket studs in the keyholes (2 in Figure 3).

FIGURE 3 Attaching the T-bar Bracket to the AP



3. Insert the locking tab (3 in Figure 3) so it is in the first position on the T-bar bracket (1 in Figure 3).
4. Gently push the ceiling tiles, if present, up and out of the way.
5. Position the T-bar bracket so its two clasps grip one edge of the T-bar (1 in Figure 4). Make sure that both clasps are gripping the T-bar.
6. Hold the AP in place and gently push the locking tab (2 in Figure 4) until its clasp grips the other edge of the T-bar. Make sure that all three clasps are gripping the T-bar.

FIGURE 4 Attaching the T-bar Bracket to the T-bar

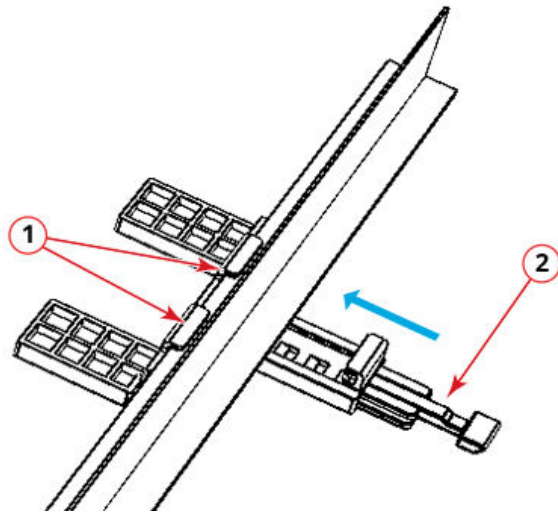
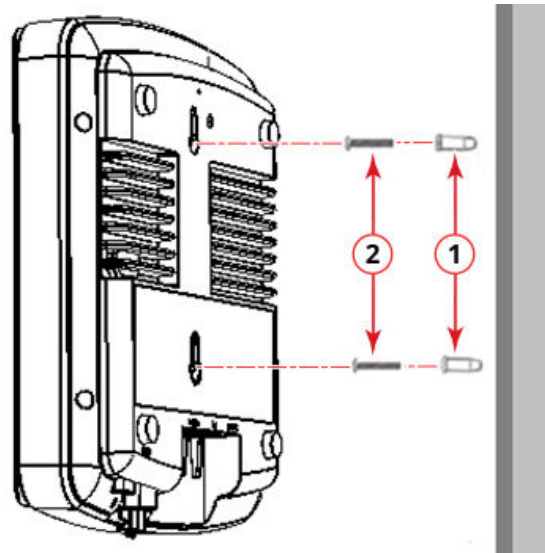


FIGURE 5 Flat Surface Mounting



Mounting on a Flat Surface

The factory-supplied mounting screws and plastic wall anchors allow you to attach the AP to a wall or other flat surface.

1. Use the Mounting Template on the last page of this Quick Setup Guide to mark the locations for two drill holes on the mounting surface.
2. Use a 4.75-mm (3/16-in.) drill bit to drill holes approximately 25 mm (1 inch) deep into the mounting surface.
3. Insert the factory-supplied anchors (1 in Figure 5) and mounting screws (2 in Figure 5) into the mounting surface, leaving approximately 6 mm (1/4 inch) of the screw heads protruding for the AP enclosure.

4. Place the AP onto the mounting screws so the screw heads enter the keyholes on the AP enclosure, and push the AP down until the AP retainer tab snaps into place.

R550p Caution Notices

A caution calls your attention to a possible hazard that can damage equipment.

CAUTION! The equipment can be connected to PoE networks without routing to the outside plant.

For More Information

For information on how to configure and manage the AP, refer to the *Ruckus Wireless Indoor Access Point User Guide*, available from <https://support.ruckuswireless.com>.

© 2021 CommScope, Inc. All rights reserved.

ARRIS, the ARRIS logo, COMMScope, RUCKUS, RUCKUS WIRELESS, the Ruckus logo, and the Big Dog design are trademarks of CommScope, Inc. and/or its affiliates. Wi-Fi Alliance, Wi-Fi, the Wi-Fi logo, Wi-Fi Certified, the Wi-Fi CERTIFIED logo, Wi-Fi Protected Access, the Wi-Fi Protected Setup logo, Wi-Fi Protected Setup, Wi-Fi Multimedia and WPA2 and WMM are trademarks or registered trademarks of Wi-Fi Alliance. All other trademarks are the property of their respective owners.

