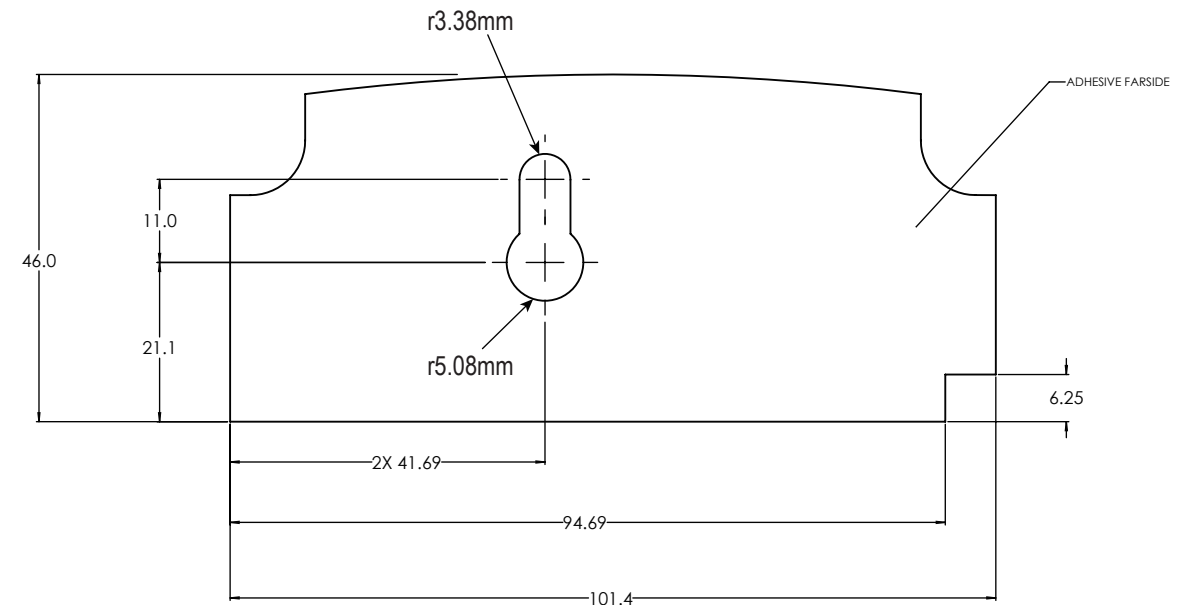
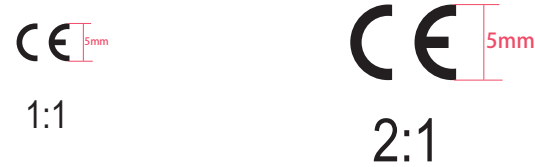
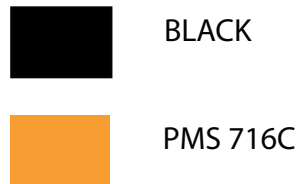


- NOTES:
- SUBSTRATE MATERIAL: WHITE MATTE POLYESTER 3M 7815
 - ADHESIVE MATERIAL: ACRYLIC PSA, SERVICE TEMP -40C-149C
 - NO SIGNIFICANT VISUAL CHANGE OR SHRINKAGE > 1% AT 149C FOR 24 HOURS
 - KRAFT PAPER OR GLASSINE WITH POLYETHYLENE LAMINATION TO BE USED FOR RELEASE LINER
 - PARTS MAY BE SUPPLIED ON ROLL OR SHEETS - PER CONTRACT MANUFACTURER'S REQUEST
 - FINISH TO BE APPROVED BY RUCKUS AND DEFINED BY SAMPLE
 - PARTS TO BE FREE OF OIL AND DIRT
 - INTERPRET DRAWING PER ANSI Y14.5m-1994
 - DRAWING SHOWS CRITICAL TO FUNCTION DIMENSIONS
 - SUPPLY FIRST ARTICLE INSPECTION REPORT - MEASURE 5 SAMPLES MINIMUM
 - FAI REPORT TO INCLUDE RUCKUS ITEMIZED RUCKUS DRAWING
 - FAI REPORT TO INCLUDE VENDOR/MFG MATERIAL SPECIFICATION AND COC FOR MATERIAL COMPONENTS, MATERIALS, ADHESIVE, PAINT, OR PLATING
 - ALL PART AND MATERIALS TO BE COMPLIANT WITH EU RoHS DIRECTIVE 2002/95/EC

- P/N 877-76349-001 Rev. A
- Colors:



2:1

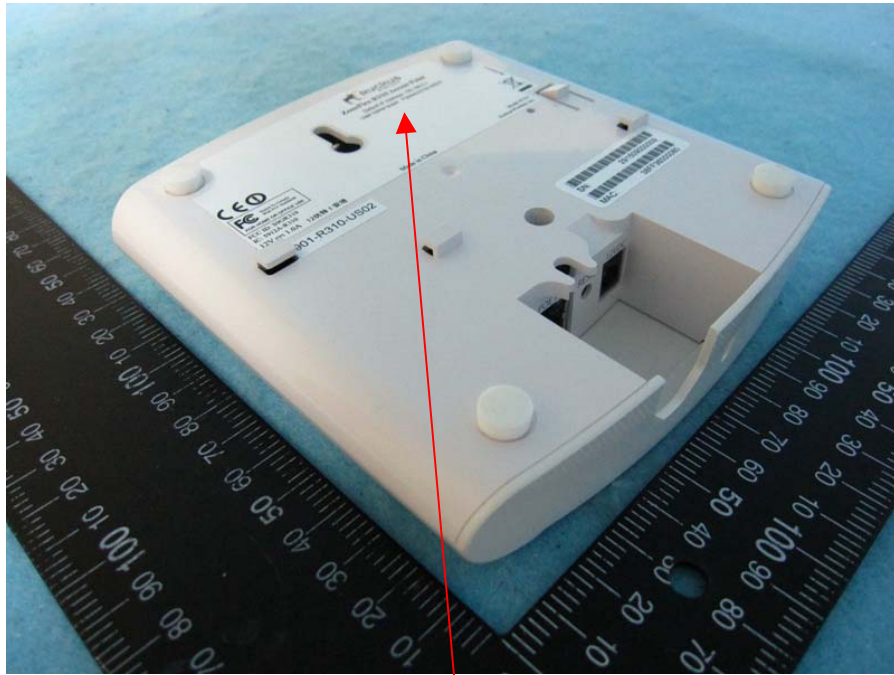
(客戶): Ruckus
 (材質): 3M7815
 (顏色): Black+PANTONE 716C
 (上光方式): NO
 (尺寸): 101.4mm x 46mm
 (公差): +-0.3mm



LIMITS UNLESS OTHERWISE NOTED	
X. +-	X.° +-
.X +-	.X° +-
.XX +-	.XX° +-
.XXX +-	.XXX° +-

A4	UNIT	SCALE	SHEET	MODEL No.	WP836-Z-RK(R310 無線接入點) Ruckus		
	MM	NON	1(1)	PART NAME	Regulatory label		
APPROVED	CHECKED	DESIGNED	PART No.	509110134777	REV	A2	

giuxiaxie 謝秋霞 2015-10-26
LITEON 光寶科技股份有限公司
 LITE-ON TECHNOLOGY CORP.



Label Here