



# ZoneFlex R300 802.11n Multimedia Wi-Fi Access Point

## Quick Setup Guide

This *Quick Setup Guide* provides step-by-step instructions on how to set up your Ruckus Wireless ZoneFlex Access Point. After completing the steps described in this Guide, you will be able to place the Access Point (AP) at your site and provide wireless network access to users.

**NOTE:** The ZoneFlex R300 requires a minimum of ZoneFlex firmware version 9.7 and above to operate.

### THIS GUIDE IN OTHER LANGUAGES

请从以下网站获得该指南的简体中文版

<https://support.ruckuswireless.com>.

Vous trouverez la version française de ce guide à l'adresse suivante <https://support.ruckuswireless.com>.

このガイドの日本語版は <https://support.ruckuswireless.com> でご覧ください。

이 가이드의 한국어 버전은 웹 사이트

(<https://support.ruckuswireless.com>) 에서 확인하시기 바랍니다 .

Veja a versão em português (Brasil) deste guia em

<https://support.ruckuswireless.com>.

Puede ver la versión en español (América Latina) de esta guía en

<https://support.ruckuswireless.com>.

### BEFORE YOU BEGIN

Before deploying Ruckus Wireless products, please check for the latest software and the release documentation.

- User Guides and Release Notes are available at <http://support.ruckuswireless.com/documents>.
- Software Upgrades are available at <http://support.ruckuswireless.com/software>.
- Open Source information is available at <http://opensource.ruckuswireless.com>.
- Software License and Limited Warranty available at <http://support.ruckuswireless.com/warranty>.

### PACKAGE CONTENTS

- ZoneFlex R300 Access Point
- Mounting screws and anchors (2)
- Security screw
- Pin removal tool
- Regulatory flyer
- This *Quick Setup Guide*

### SETUP REQUIREMENTS

- A computer running Windows 7 (procedures for other OS's are similar)
- One or more of the following:
  - A modem (DSL or cable), broadband router, or other device provided by your Internet Service Provider that brings Internet access to your site.
  - A network switch or a DSL/Internet gateway device.
- Two Cat 5e Ethernet cables
- An AC power adapter (sold separately), or
- An 802.3af or 802.3at -compliant Power over Ethernet (PoE) switch or PoE injector

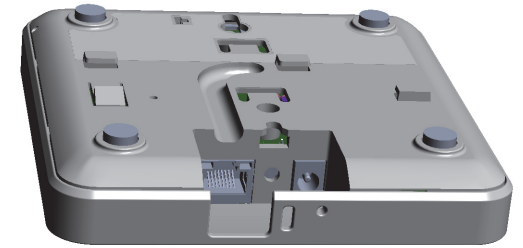
#### IMPORTANT!

If the AP is deployed with a ZoneDirector, follow the *ZoneDirector Quick Setup Guide*, and connect the AP to your local network.

### STEP 1: CONNECT THE AP TO YOUR COMPUTER



- 1 After removing your Ruckus Wireless AP from its package, place it next to your computer.
- 2 Using an Ethernet cable, connect your computer's network port to the 10/100/1000 port on the AP.
- 3 Using the AC adapter (sold separately), connect the AP to a convenient (and protected) power source.
  - Alternatively, connect the 10/100/1000 port to a PoE injector or PoE switch for both power and network connectivity.



- 4 Verify that the Power LED on the external enclosure is a steady green.

### STEP 2: PREPARE YOUR COMPUTER FOR AP SETUP

#### NOTE:

The following procedures assume Windows 7 as the operating system. Procedures for other OS's are similar.

- 1 On your Windows 7 computer, configure your network adapter from the *Local Area Connection* settings as follows:
  - **Start > Control Panel > Network and Sharing Center > Change Adapter Settings**
- 2 Edit the TCP/IPv4 address settings as follows:
  - **Local Area Connection > Properties > Internet Protocol Version 4 (TCP/IPv4) > Properties**The *TCP/IPv4 Properties* dialog box appears.
- 3 Select **Use the following IP address** (if it is not already selected) and then make the following entries:
  - **IP address:** 192.168.0.22 (or any address in the 192.168.0.x network)
  - **Subnet mask:** 255.255.255.0
  - **Default gateway:** 192.168.0.1Leave the **DNS server** fields empty.
- 4 Click **OK** to save your changes.  
Your changes are put into effect immediately.

### STEP 3: LOG INTO THE AP

As specified earlier, the AP should be directly connected to your computer (through the Ethernet port) and powered on, ready for setup.

- 1 On your computer, open a Web browser window.
- 2 In the browser, type this URL to connect to the AP:

<https://192.168.0.1>

- Press <Enter> to initiate the connection. When a security alert dialog box appears, click **OK/Yes** to proceed.
- When the *Ruckus Wireless Admin* login page appears, enter the following:
  - Username:** super
  - Password:** sp-admin
- Click **Login**.

#### STEP 4: CUSTOMIZE THE WIRELESS SETTINGS

- On the Web interface menu, click **Configuration > Wireless [2.4G/5G]**. The Configure :: Wireless :: Common options appear.
- Verify that the following options are active:
  - Channel:** SmartSelect
  - Country Code:** If you are not located in the United States, select your current country.
- Click **Update Settings** if you made any changes.
- Click any of the eight "Wireless #" tabs at the top of the page.
- In *Wireless Availability*, click **Enabled**.
- Delete the text in the **SSID** field, and then type a name for your network that will help your users identify the AP in their wireless network connection application.
- Click **Update Settings** to save your changes.
- Repeat Steps 4-7 for each Wireless # interface that you want to enable.
- Click **Logout** to exit the Web interface.
- Disconnect the AP from the computer and from the current power source, and then restore your computer to its original network connection configuration.

#### STEP 5: PLACE THE AP IN YOUR SITE

- Move the AP to its permanent location (accessible to both AC power and network connection).
- Use an Ethernet cable to connect the 10/100/1000 port of the AP to your network.

**NOTE:** If you will be using PoE, you will need a Cat 5e (or better) Ethernet cable to connect the AP to the PoE injector or switch.

- Connect the AC power adapter (or PoE power supply) to the AP, then to a convenient power source.
- Verify that the 10/100/1000 port LED is lit.

#### STEP 6: VERIFY THE INSTALLATION

- Using any wireless-enabled computer or mobile device, search for and select the wireless network you previously configured.
- If you can connect, open a browser and link to any public Web site.

*Congratulations!* Your wireless network is active and ready for use. If you need to configure advanced wireless settings, such as enabling security, see the ZoneFlex AP User Guide.

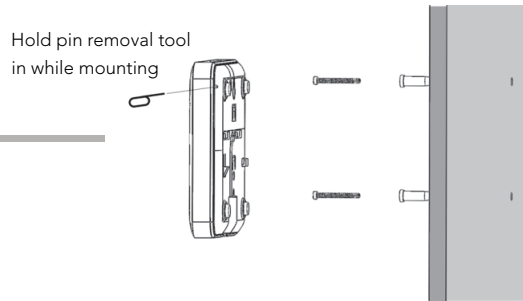
#### (OPTIONAL) MOUNTING INSTRUCTIONS

The ZoneFlex R300 can be mounted to a wall, ceiling or to a T-bar using the supplied mounting screws or the T-bar clips built into the bottom of the AP enclosure.

##### Mounting to a Flat Surface

- Use this *Quick Start Guide* template to mark the locations for screw holes on the mounting surface. Use a 5mm drill bit to drill approximately 25mm into the mounting surface.
- Insert the anchors and mounting screws into the mounting surface, leaving approximately 1/4" (6 mm) of the screw heads protruding for the AP enclosure. The screws should be approximately 3.25" (82.6mm) apart per the template.
- Insert the pin removal tool into the hole on the side of the AP ([Figure 1](#)), to release the locking mechanism.

Figure 1. Insert the pin removal tool into the pinhole



- Place the AP onto the mounting screws so that the screw heads enter the mounting holes on the AP enclosure, and push the AP (to the left or down depending on orientation) to lock in place.
- Remove the pin removal tool to release the lock mechanism and secure the AP.

- To unmount, insert the pin removal tool into the hole on the side of the AP to unlock, then push the AP (to the right or up, depending on orientation) to release the AP enclosure from the mounting screws.

#### Mounting to a T-Bar

- Orient the AP so that the T-bar is positioned between the T-bar clips as shown in [Figure 2](#), then rotate the AP until the third T-bar clip catches the T-bar and the latch locks the T-bar in place ([Figure 3](#)).

Figure 2.

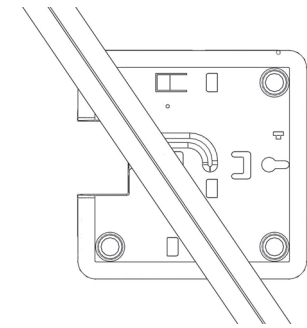
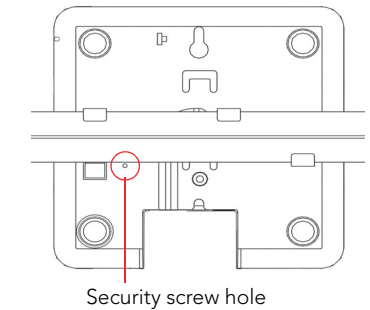


Figure 3.



- For added physical security, use a Torx screwdriver to insert the security screw into the hole shown in [Figure 3](#).
- To remove the unit, first remove the security screw, then depress the latch while rotating the AP so that the T-bar clips disengage the T-bar.

#### FOR MORE INFORMATION

For information on how to configure the AP from the Web interface, refer to the *Ruckus Wireless ZoneFlex Access Point User Guide* or the Online Help, available from within the Web interface.

## Federal Communications Commission Notices

This product complies with Part 15 of the FCC Rules. Operation is subject to the following two conditions: (1) this device may not cause harmful interference, and (2) this device must accept any interference received, including interference that may cause undesired operation.

Caution: Changes or modifications to this equipment that have not been approved by Ruckus Wireless may void the user's authority to operate this equipment.

For Class B Equipment:

Note: This equipment has been tested and found to comply with the limits for a Class B digital device, pursuant to part 15 of the FCC Rules. These limits are designed to provide reasonable protection against harmful interference in a residential installation. This equipment generates, uses and can radiate radio frequency energy and, if not installed and used in accordance with the instructions, may cause harmful interference to radio communications. However, there is no guarantee that interference will not occur in a particular installation. If this equipment does cause harmful interference to radio or television reception, which can be determined by turning the equipment off and on, the user is encouraged to try to correct the interference by one or more of the following measures:

- Reorient or relocate the receiving antenna.
- Increase the separation between the equipment and receiver.
- Connect the equipment into an outlet on a circuit different from that to which the receiver is connected.
- Consult the dealer or an experienced radio/TV technician for help.

For Class A Equipment:

Note: This equipment has been tested and found to comply with the limits for a Class A digital device, pursuant to part 15 of the FCC Rules. These limits are designed to provide reasonable protection against harmful interference when the equipment is operated in a commercial environment. This equipment generates, uses, and can radiate radio frequency energy and, if not installed and used in accordance with the instruction manual, may cause harmful interference to radio communications. Operation of this equipment in a residential area is likely to cause harmful interference in which case the user will be required to correct the interference at his own expense.

## Industry Canada Statement

Under Industry Canada regulations, this radio transmitter may only operate using an antenna of a type and maximum (or lesser) gain approved for the transmitter by Industry Canada. To reduce potential radio interference to other users, the antenna type and its gain should be so chosen that the equivalent isotropically radiated power (e.i.r.p.) is not more than that necessary for successful communication.

Conformément à la réglementation d'Industrie Canada, le présent émetteur radio peut fonctionner avec une antenne d'un type et d'un gain maximal (ou inférieur) approuvé pour l'émetteur par Industrie Canada. Dans le but de réduire les risques de brouillage radioélectrique à l'intention des autres utilisateurs, il faut choisir le type d'antenne et son gain de sorte que la puissance isotrope rayonnée équivalente (p.i.r.e.) ne dépasse pas l'intensité nécessaire à l'établissement d'une communication satisfaisante.

This device complies with Industry Canada licence-exempt RSS standard(s). Operation is subject to the following two conditions: (1) this device may not cause interference, and (2) this device must accept any interference, including interference that may cause undesired operation of the device.

Le présent appareil est conforme aux CNR d'Industrie Canada applicables aux appareils radio exempts de licence. L'exploitation est autorisée aux deux conditions suivantes : (1) l'appareil ne doit pas produire de brouillage, et (2) l'utilisateur de l'appareil doit accepter tout brouillage radioélectrique subi, même si le brouillage est susceptible d'en compromettre le fonctionnement.

The device for operation in the band 5150-5250 MHz is only for indoor use to reduce the potential for harmful interference to co-channel mobile satellite systems; the maximum antenna gain permitted for devices in the bands 5250-5350 MHz and 5470-5725 MHz shall comply with the e.i.r.p. limit; and the maximum antenna gain permitted for devices in the band 5725-5825 MHz shall comply with the e.i.r.p. limits specified for point-to-point and non point-to-point operation as appropriate.

Le dispositif de fonctionnement dans la bande 5150-5250 MHz est réservé à une utilisation en intérieur pour réduire le risque d'interférences nuisibles à la co-canal systèmes mobiles par satellite, le gain d'antenne maximal autorisé pour les appareils dans les bandes 5250-5350 MHz et 5470-5725 MHz doit se conformer à la pire limite, et le gain d'antenne maximal autorisé pour les appareils dans la bande 5725-5825 MHz doivent être conformes avec la pire limites spécifiées à point-à-punctuelles et non point-à-point de fonctionnement selon qu'il convient.

Operation in the 5600-5650 MHz band is not allowed in Canada. High-power radars are allocated as primary users (i.e. priority users) of the bands 5250-5350 MHz and 5650-5850 MHz and that these radars could cause interference and/or damage to LE-LAN devices.

Opération dans la bande 5600-5650 MHz n'est pas autorisée au Canada. Haute puissance radars sont désignés comme utilisateurs principaux (c.-à-utilisateurs prioritaires) des bandes 5250-5350 MHz et 5650-5850 MHz et que ces radars pourraient causer des interférences et / ou des dommages à dispositifs LAN-EL.

## Radiation Exposure Statement

The device has been found to be compliant to the requirements set forth in CFR 47 Sections 2.1091 and Industry Canada RSS-102 for an uncontrolled environment. The antenna(s) used for this transmitter must be installed to provide a separation distance of at least 20 cm from all persons and must not be co-located or operating in conjunction with any other antenna or transmitter.

Le dispositif a été jugé conforme aux exigences énoncées dans les articles 47 CFR 2.1091 et Industrie Canada RSS-102 pour un environnement non contrôlé. L'antenne (s) utilisée pour ce transmetteur doit être installé pour fournir une distance de séparation d'au moins 20 cm de toutes les personnes et ne doit pas être co-localisés ou fonctionner en conjonction avec une autre antenne ou transmetteur.

## Mexico Statement

"La operación de este equipo está sujeta a las siguientes dos condiciones: (1) es posible que este equipo o dispositivo no cause interferencia perjudicial y (2) este equipo o dispositivo debe aceptar cualquier interferencia, incluyendo la que pueda causar su operación no deseada."

## Professionally Installed Products

The product is to be installed according to the installation instructions. The Use/Operator does not have access to the device once the device is installed and in use. Provisions for permanent grounding is provided.

1. Installation personal: This product is designed for specific application and needs to be installed by a qualified personal who has RF and related rule knowledge. The general user shall not attempt to install or change the setting.
2. Installation location: The product shall be installed at a location where the radiating antenna can be kept 20 cm from nearby person in normal operation condition to meet regulatory RF exposure requirement. Additionally, installation locations with 35km of Terminal Doppler Weather Radar locations shall follow instructions below.
  - a. Any installation of either a master or a client device within 35 km of a TDWR location shall be separated by at least 30 MHz center-to-center) from the TDWR operating frequency.
  - b. A voluntary WISPA sponsored database has been developed that allows operators and installers to register the location information of the UNII devices operating outdoors in the 5470 – 5725 MHz band within 35 km of any TDWR location (see <http://www.spectrumbridge.com/udia/home.aspx> ). This database may be used by government agencies in order to expedite resolution of any interference to TDWRs.
  - c. Additional information can be obtained from the FCC Knowledge Database, Publication Number 443999. <https://apps.fcc.gov/oetcf/kdb/index.cfm>
3. External antenna: Use only the antennas which have been approved by Ruckus Wireless. The non-approved antenna(s) may produce unwanted spurious or excessive RF transmitting power which may lead to the violation of FCC limit and is prohibited.
4. Installation procedure: Please refer to user's manual for the detail.
5. Warning: Please carefully select the installation position and make sure that the final output power does not exceed the limit set force in US Rule CFR 47 part 15 section 15.247 & 15.407. The violation of the rule could lead to serious federal penalty.

## External Antenna Notice

This radio transmitter has been approved by the FCC and Industry Canada to operate with the antenna types listed below with the maximum permissible gain and required antenna impedance for each antenna type indicated. Antenna types not included in this list, having a gain greater than the maximum gain indicated for that type, are strictly prohibited for use with this device.

Le présent émetteur radio (identifier le dispositif par son numéro de certification ou son numéro de modèle s'il fait partie du matériel de catégorie I) a été approuvé par Industrie Canada pour fonctionner avec les types d'antenne énumérés ci-dessous et ayant un gain admissible maximal et l'impédance requise pour chaque type d'antenne. Les types d'antenne non inclus dans cette liste, ou dont le gain est supérieur au gain maximal indiqué, sont strictement interdits pour l'exploitation de l'émetteur.

**Model: ZF7762, ZF7762-S, ZF7762-T, ZF7762-AC, ZF7762-S-AC:** This device has been designed to operate with an omni-directional antenna having maximum gain of 6dBi or a patch antenna having a maximum gain of 23 dBi. Other antenna types or having greater gain are strictly prohibited for use with this device. The required antenna impedance is 50 ohms.

**Model: ZF7782** [ZoneFlex 7782, ZoneFlex 7782-S, ZoneFlex 7782-N, ZoneFlex 7782-E], **Model: ZF7781CM** [ZoneFlex 7781CM, ZoneFlex 7781CM-S, ZoneFlex 7781CM-E] and **Model ZF7781FN** [ZoneFlex 7781FN, ZoneFlex 7781FN-S, ZoneFlex 7781FN-E ]: This device has been designed to operate with an omni-directional antenna having maximum gain of 5.5dBi, Sector and Patch external antenna's with a maximum gain of 15dBi. Other antenna types or having greater gain are strictly prohibited for use with this device. The required antenna impedance is 50 ohms.

**Model: SC8800** [SmartCell 8800; SmartCell 8800-S]: This device has been designed to operate with sector antenna having a maximum gain of 8 dBi for US and Canada. For Europe, the device can be operated with an omni-directional antenna having maximum gain of 5.5dBi, Sector and Patch external antenna's with a maximum gain of 24dBi. Other antenna types or having greater gain are strictly prohibited for use with this device. The required antenna impedance is 50 ohms.

**Model: ZoneFlex 7441** [ZF7441]: This device has been designed to operate with an antenna having maximum gain of 2dBi. Other antenna types or having greater gain are strictly prohibited for use with this device. The required antenna impedance is 50 ohms.

**Model: ZoneFlex 7372E** [ZF7372E]: This device has been designed to operate with an antenna having maximum gain of 7dBi. Other antenna types or having greater gain are strictly prohibited for use with this device. The required antenna impedance is 50 ohms.

## Products intended to be powered by an external power supply:

Caution –This product is intended to be supplied by a Listed Direct Plug-In Power Unit marked Class 2 or LPS (sub-clause 2.5 of standard EN 60950-1). Available Ruckus power supplies intended for product operation are identified in the product datasheet. The last two digits of the power supply part number represent the country code. For additional applicable power supplies/options, see user instructions and product datasheet.

## Australia Statement

This device complies with the ACMA requirements for a Wi-Fi device namely Radio Communications (Low Impact Potential Devices) Class Licence 2000 Amd. 1:2007 and Radiocommunications (Compliance Labelling – Electromagnetic Radiation) Notice 2003. The equipment complies with the ACMA requirements for radiation exposure for a "general user/non-aware user". This equipment should be installed and operated with a minimum distance of 20 cm between the radiator and your body. This equipment complies with the Australian safety requirements and should only used with the specified power adapter according to the product datasheet.

## Brazil Statement

For Brazil, those products are designed for specific application and needs to be installed by a qualified personal who has RF and related rule knowledge. Regarding the operation on range of 5150 MHz to 5350 MHz , the average output power of the equipments must be adjusted to the maximum limit of - 0,48 dBm and for 5470 MHz to 5725 MHz, the average output power of the equipments must be adjusted to the maximum limit of 6,44 dBm

Para o Brasil, esses produtos são projetados para aplicações específicas e necessidades a serem instalados por um pessoal qualificado que tenha conhecimento regra RF e afins. Em relação à operação em série de 5150 MHz a 5350 MHz, a potência média de saída dos equipamentos deve ser ajustado para o limite máximo de - 0,48 dBm e para 5470 MHz a 5725 MHz, a potência média de saída dos equipamentos deve ser ajustada ao limite máximo de 6,44 dBm

## Taiwan Statement

本產品為5.25-5.35 GHz頻帶內操作之UNII設備，僅限於室內使用

The frequency band 5250 – 5350 MHz is restricted to indoor use.

經型式認證合格之低功率射頻電機，非經許可，公司、商號或使用者均不得擅自變更頻率、加大功率或變更原設計之特性及功能。低功率射頻電機之使用不得影響飛航安全及干擾合法通信；經發現有干擾現象時，應立即停用，並改善至無干擾時方得繼續使用。前項合法通信，指依電信法規定作業之無線電通信。低功率射頻電機須忍受合法通信或工業、科學及醫療用電波輻射性電機設備之干擾。

The control, adjustment and on/off operation of this device does not violate the “Administrative regulations on low power radio waves radiated devices”. Any adjustments to the device should be carried out or be monitored by a specialist who has expertise on radio frequency devices. Replacement of components which may lead to the violation to the regulations is not allowed. Without permission granted by the NCC, any company, enterprise, or user is not allowed to change frequency, enhance transmitting power or alter original characteristic as well as performance to an approved low power radio-frequency devices. The low power radio-frequency device shall not influence aircraft security and interfere with legal communications; if found, the user shall cease operating immediately until no interference is achieved. The said legal communications means radio communications is operated in compliance with the Telecommunications Act. The low power radio-frequency devices must not be susceptible with the interference from legal communications or ISM radio wave radiated devices.

## European Union Notices and National Restrictions

### Italy

This product meets the National Radio Interface and the requirements specified in the National Frequency Allocation Table for Italy. Unless operating within the boundaries of the owner's property, the use of this 2.4 GHz Wireless LAN product requires a 'general authorization'. Please check with <http://www.comunicazioni.it/> for more details.

*Questo prodotto è conforme alla specifiche di Interfaccia Radio Nazionali e rispetta il Piano Nazionale di ripartizione delle frequenze in Italia. Se non viene installato all'interno del proprio fondo, l'utilizzo di prodotti Wireless LAN a 2.4 GHz richiede una "Autorizzazione Generale". Consultare <http://www.comunicazioni.it/> per maggiori dettagli.*

### Belgium

The Belgian Institute for Postal Services and Telecommunications (BIPT) must be notified of any outdoor wireless link having a range exceeding 300 meters. Please check <http://www.bipt.be> for more details. / *Draadloze verbindingen voor buitengebruik en met een reikwijdte van meer dan 300 meter dienen aangemeld te worden bij het Belgisch Instituut voor postdiensten en telecommunicatie (BIPT). Zie <http://www.bipt.be> voor meer gegevens. / Les liaisons sans fil pour une utilisation en extérieur d'une distance supérieure à 300 mètres doivent être notifiées à l'Institut Belge des services Postaux et des Télécommunications (IBPT). Visitez <http://www.ibpt.be> pour de plus amples détails.*

## EU Declaration of Conformity

This declaration of conformity is issued under the sole responsibility of the manufacturer (or installer):

Ruckus Wireless, Inc.  
350 West Java Drive  
Sunnyvale, CA 94089

The object of the declaration is in conformity with Directive 2011/65/EU of the European Parliament and of the Council of 8 June 2011 on the restriction of the use of certain hazardous substances in electrical and electronic equipment (\*):

The object of the declaration is in conformity with Directive of 9 March 1999 of the European Parliament and of the Council on Radio Equipment and Telecommunications Terminal Equipment and the mutual recognition of their conformity. The following standards were applied during the assessment of the product:

- Radio: ETSI EN 300 328, ETSI EN 301 893, ETSI EN 302 502
- EMC: EN 55022, EN 301 489-1, EN 301 489-17
- Safety: EN 60950, EN 62311



The frequency band 5150 – 5350 MHz is restricted to indoor use. The frequency band 5745 – 5875 MHz are non-harmonized frequencies. Use is restricted to outdoor professionally installed access points as allowed by local authorities.

Česky [Czech]	Ruckus Wireless tímto prohlašuje, že tento Radio LAN je ve shodě se základními požadavky a dalšími příslušnými ustanoveními směrnice 1999/5/ES.
Dansk [Danish]	Undertegnede Ruckus Wireless erklærer herved, at følgende udstyr Radio LAN overholder de væsentlige krav og øvrige relevante krav i direktiv 1999/5/EF.
Deutsch [German]	Hiermit erkläre Ruckus Wireless, dass sich das Gerät Radio LAN in Übereinstimmung mit den grundlegenden Anforderungen und den übrigen einschlägigen Bestimmungen der Richtlinie 1999/5/EG befindet.
Eesti [Estonian]	Käesolevaga kinnitab Ruckus Wireless seadme Radio LAN vastavust direktiivi 1999/5/EÜ põhinõuetele ja nimetatud direktiivist tulenevatele teistele asjakohastele sätetele.
English	Hereby, Ruckus Wireless declares that this Radio LAN is in compliance with the essential requirements and other relevant provisions of Directive 1999/5/EC.
Español [Spanish]	Por medio de la presente Ruckus Wireless declara que el Radio LAN cumple con los requisitos esenciales y cualesquiera otras disposiciones aplicables o exigibles de la Directiva 1999/5/CE.
Ελληνική	ΜΕ ΤΗΝ ΠΑΡΟΥΣΑ Ruckus Wireless ΔΗΛΩΝΕΙ ΟΤΙ Radio LAN ΣΥΜΜΟΡΦΩΝΕΤΑΙ ΠΡΟΣ ΤΙΣ ΟΥΣΙΩΔΕΙΣ

[Greek]	ΑΠΑΙΤΗΣΕΙΣ ΚΑΙ ΤΙΣ ΛΟΙΠΕΣ ΣΧΕΤΙΚΕΣ ΔΙΑΤΑΞΕΙΣ ΤΗΣ ΟΔΗΓΙΑΣ 1999/5/EK.
Français [French]	Par la présente Ruckus Wireless déclare que l'appareil Radio LAN est conforme aux exigences essentielles et aux autres dispositions pertinentes de la directive 1999/5/CE.
Italiano [Italian]	Con la presente Ruckus Wireless dichiara che questo Radio LAN è conforme ai requisiti essenziali ed alle altre disposizioni pertinenti stabilite dalla direttiva 1999/5/CE.
Latviski [Latvian]	Ar šo Ruckus Wireless deklarē, ka Radio LAN atbilst Direktīvas 1999/5/EK būtiskajām prasībām un citiem ar to saistītajiem noteikumiem.
Lietuvių [Lithuanian]	Šiuo Ruckus Wireless deklaruoja, kad šis Radio LAN atitinka esminius reikalavimus ir kitas 1999/5/EB Direktyvos nuostatas.
Nederlands [Dutch]	Hierbij verklaart Ruckus Wireless dat het toestel Radio LAN in overeenstemming is met de essentiële eisen en de andere relevante bepalingen van richtlijn 1999/5/EG.
Malti [Maltese]	Hawnhekk, Ruckus Wireless, jiddikjara li dan Radio LAN jikkonforma mal-ħtiġijiet essenzjali u ma provvedimenti oħrajn rilevanti li hemm fid-Direttiva 1999/5/EC.
Magyar [Hungarian]	Alulírott, Ruckus Wireless nyilatkozom, hogy a Radio LAN megfelel a vonatkozó alapvető követelményeknek és az 1999/5/EC irányelv egyéb előírásainak.
Polski [Polish]	Niniejszym Ruckus Wireless oświadcza, że Radio LAN jest zgodny z zasadniczymi wymogami oraz pozostałymi stosownymi postanowieniami Dyrektywy 1999/5/EC.
Português [Portuguese]	Ruckus Wireless declara que este Radio LAN está conforme com os requisitos essenciais e outras disposições da Directiva 1999/5/CE.
Slovensko [Slovenian]	Ruckus Wireless izjavlja, da je ta Radio LAN v skladu z bistvenimi zahtevami in ostalimi relevantnimi določili direktive 1999/5/ES.
Slovensky [Slovak]	Ruckus Wireless týmto vyhlasuje, že Radio LAN spĺňa základné požiadavky a všetky príslušné ustanovenia Smernice 1999/5/ES.
Suomi [Finnish]	Ruckus Wireless vakuuttaa täten että Radio LAN tyyppinen laite on direktiivin 1999/5/EY oleellisten vaatimusten ja sitä koskevien direktiivin muiden ehtojen mukainen.
Svenska [Swedish]	Härmed intygar Ruckus Wireless att denna Radio LAN står i överensstämmelse med de väsentliga egenskapskrav och övriga relevanta bestämmelser som framgår av direktiv 1999/5/EG.
Íslenska [Icelandic]	Hér með lýsir Ruckus Wireless yfir því að Radio LAN er í samræmi við grunnkröfur og aðrar kröfur, sem gerðar eru í tilskipun 1999/5/EC.
Norsk [Norwegian]	Ruckus Wireless erklærer herved at utstyret Radio LAN er i samsvar med de grunnleggende krav og øvrige relevante krav i direktiv 1999/5/EF.