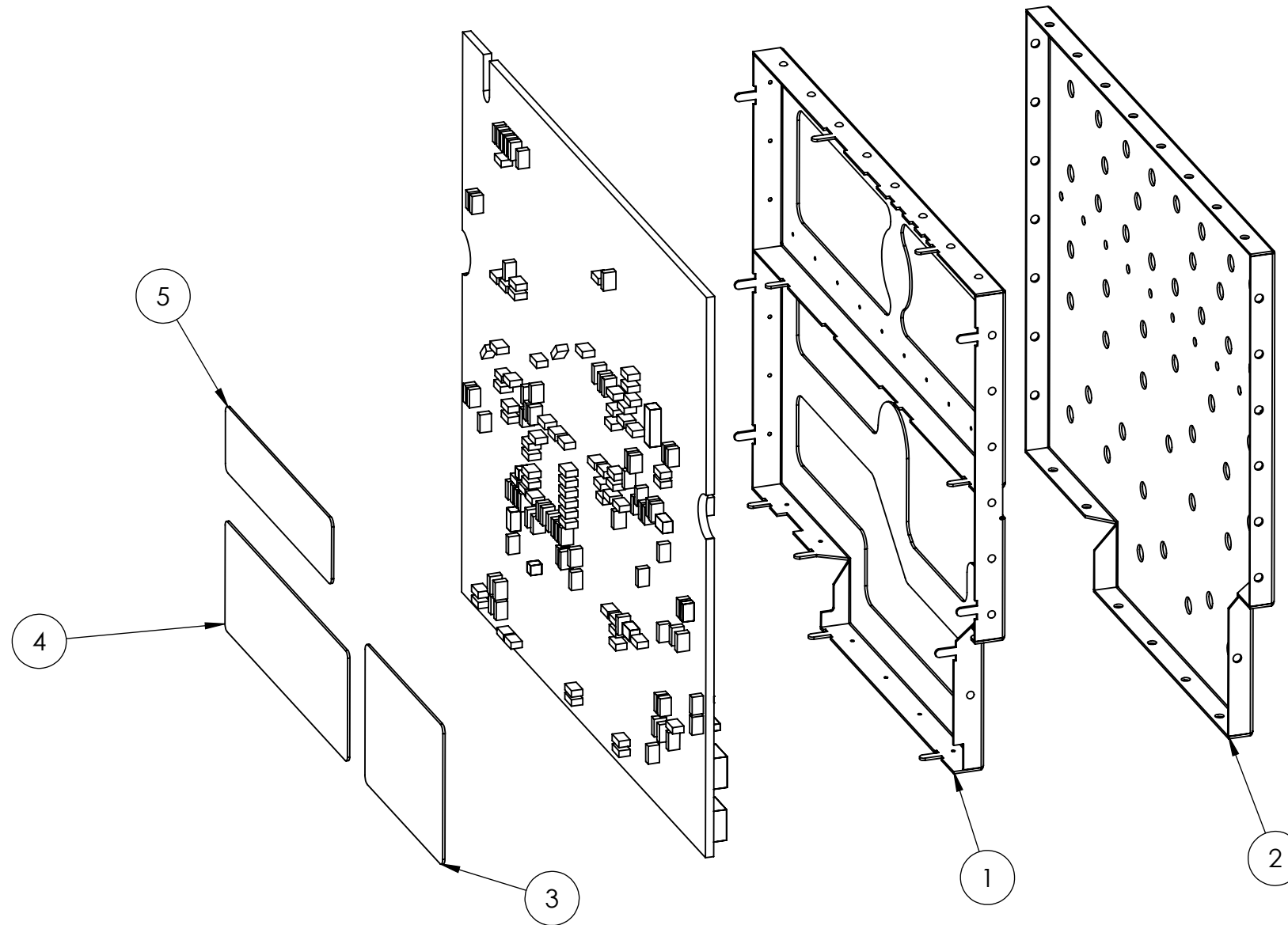



REVISIONS				
ZONE	REV.	DESCRIPTION	DATE	APPROVED
	07	MECHANICAL ASSY DRW	12/11/2007	HOUDEK



BILL OF MATERIALS TABLE ONLY LISTS MECHANICAL PARTS - SEE DETAILED ARENA BOM FOR COMPLETE LIST

ITEM NO.	PART NUMBER	DESCRIPTION	QTY
1	701-60523-001	SHIELD, RF MINIPCI, 11N, FULL, FRAME	1
2	701-60522-001	SHIELD, RF MINIPCI, 11N, FULL, COVER	1
3	860-76188-001	LABEL, FCC, MINIPCI	1
4	860-76159-001	LABEL, BARCODE SERIAL, 30mm x 10mm	1
5	860-76160-001	LABEL, PCBA MODEL, 26mm x 6mm	1

+ ENGLISH			
ENGINEER HOUDEK	DATE 12-11-07	<small>PROPRIETARY AND CONFIDENTIAL</small> <small>THE INFORMATION CONTAINED HEREIN IS THE PROPRIETARY PROPERTY OF RUCKUS WIRELESS. THE POSSESSOR AGREES TO MAINTAIN THIS DOCUMENT IN CONFIDENCE, NOT TO REPRODUCE OR COPY IT, NOT TO REVEAL OR PUBLISH IT, IN WHOLE OR PART.</small> <small>ALL RIGHTS RESERVED</small>	
DRAWING HOUDEK	DATE 12-11-07		
DIMENSIONS ARE IN INCHES TOLERANCES <small>UNLESS OTHERWISE SPECIFIED</small> X.X ±0.10 X.XX ±0.05 X.XXX ±0.005 ANGLES ±0.5° DO NOT SCALE DRAWINGS			
TITLE PCA, 2.4GHZ, 11N 3X3 MIMO, MINIPCI, MECH		DRAWING NUMBER 120-08700-001	REV 07
SCALE 1 - 1		SIZE B	SHEET 1 OF 1