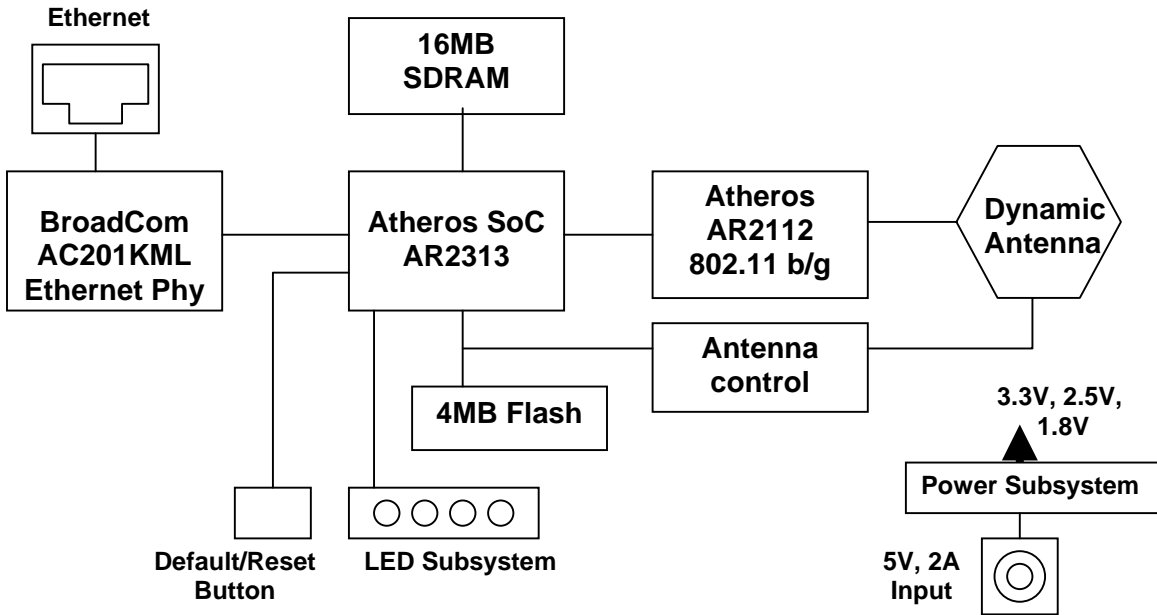


## Video54 MediaFlex 2900/2501 System Block Diagram

The block diagram of the MediaFlex 2900/2501 products include an Atheros AR2313 SoC and memory system, with one 10/100 Ethernet interface. The Ethernet interface supports Auto-negotiation and Auto-MDI/MDIX. An on board AR2112 (802.11 b/g) radio supports the wireless interface. The antenna control subsystem provides capabilities of selecting different antenna patterns for wireless transmit and receive. A power subsystem takes 5VDC in to create the voltage levels required by the CPU, memory and wireless interface and Ethernet interface.



## Video54 MediaFlex 2900/2501 Transmit and Receive

