

IOT Dongle
Quick Start-up User Guide

Quick Start guide

GET TO KNOW THE IOT DONGLE

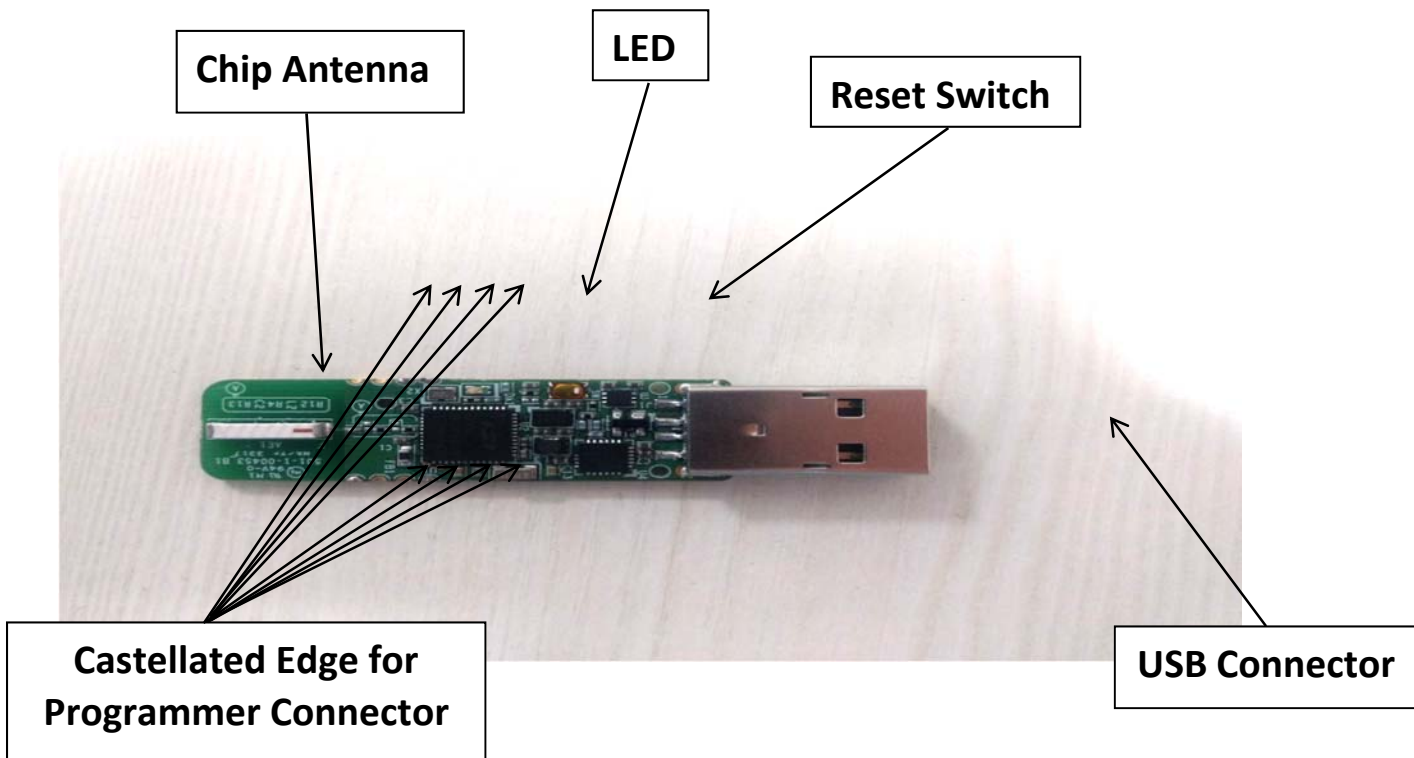


Figure 1 Front side of IOT Dongle

ABOUT THE IOT DONGLE

IOT Dongle will give Zigbee/Bluetooth connectivity between respective device. The Dongle has ability to work as Host mode as well as Node mode. Behavior of dongle is depends on the connected device. In Host mode, Dongle can control other devices which is relevant to the control packets transmitted from host. In Node mode, Dongle will act like end device and end device action is relevant to the control packets received from other host.

SPECIFICATION

Hardware	
Bus Type	USB 2.0
Chipset ID	Si lab - EFR32MG12P432F1024GM48
Industry Standards	Bluetooth v5, Zigbee
Performance	
Frequency	2.402-2.48GHz ISM Band
Maximum Data Transfer Rate	2 Mbps
Modulation	2-FSK, 4-FSK, OQPSK, (G)MSK
Connector(s)	
Connector Type(s)	1 - USB Type-A USB 2.0 Male
Software	
OS Compatibility	Windows XP, Vista, 7, 8, 8.1, 10
	Linux
	Windows Server 2003, 2008 R2, 2012, 2016
	Mac OS 9.x, 10.6 to 10.12
Indicators	
LED Indicators	1 - Link /Activity
Power	

Power Source	USB-Powered
Physical Characteristics	
Color	Grey
Enclosure Type	Plastic
Product Height	0.32 in [8.25 mm]
Product Length	2.35 in [59.84 mm]
Product Weight	0.14 oz [4 g]
Product Width	0.7 in [18 mm]
Packaging Information	
Shipping (Package) Weight	4.5 oz [130 g]

SETTING UP THE SYSTEM

Connect IOT Dongle with Access Point

Turn ON the Zigbee/Bluetooth Device

IOT Dongle will get connected with active Zigbee/Bluetooth Device

Give control command from Application/Access Point

Federal Communication Commission Interference Statement

This equipment has been tested and found to comply with the limits for a Class B digital device, pursuant to Part 15 of the FCC Rules. These limits are designed to provide reasonable protection against harmful interference in a residential installation.

This equipment generates, uses and can radiate radio frequency energy and, if not installed and used in accordance with the instructions, may cause harmful interference to radio communications. However, there is no guarantee that interference will not occur in a particular installation. If this equipment does cause harmful interference to radio or television reception, which can be determined by turning the equipment off and on, the user is encouraged to try to correct the interference by one of the following measures:

- . Reorient or relocate the receiving antenna.
- . Increase the separation between the equipment and receiver.
- . Connect the equipment into an outlet on a circuit different from that to which the receiver is connected.
- . Consult the dealer or an experienced radio/TV technician for help.

FCC Caution: To assure continued compliance, any changes or modifications not expressly approved by the party responsible for compliance could void the user's authority to operate this equipment. (Example - use only shielded interface cables when connecting to computer or peripheral devices).

FCC Radiation Exposure Statement

This equipment complies with FCC RF radiation exposure limits set forth for an uncontrolled environment. This equipment should be installed and operated with a minimum distance of 20 centimeters between the radiator and your body.

This transmitter must not be co-located or operating in conjunction with any other antenna or transmitter.

The antennas used for this transmitter must be installed to provide a separation distance of at least 20 cm from all persons and must not be co-located or operating in conjunction with any other antenna or transmitter.

This device complies with Part 15 of the FCC Rules. Operation is subject to the following two conditions:

- (1) This device may not cause harmful interference, and
- (2) This device must accept any interference received, including interference that may cause undesired operation.

END OF DOCUMENT