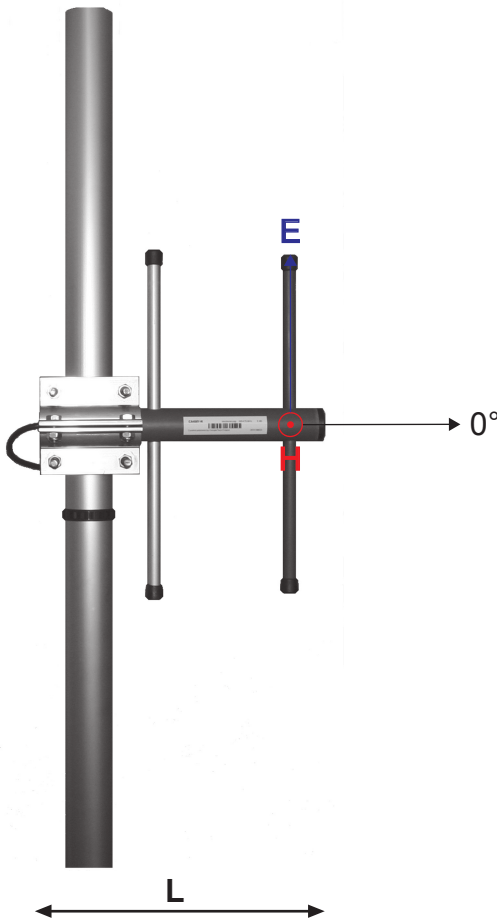


ComAnt[®] Communications Antennas

FREQUENCY INDEPENDENT DATA

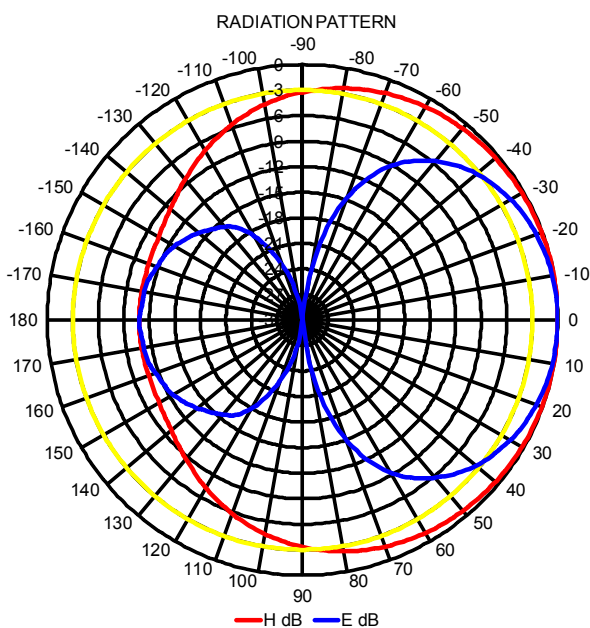


Description: directional yagi
 Frequency: 135-145 MHz, 144-156 MHz,
 154-166 MHz, 163-177 MHz,
 221-239 MHz, 326-353 MHz,
 336-364 MHz, 365-395 MHz,
 380-410 MHz, 405-440 MHz,
 440-475 MHz, 830-890 MHz,
 880-960 MHz

Impedance: 50 ohm
 Gain: 6 dBi
 H -3 dB: 174°
 E -3 dB: 77°
 F/B: 11 dB
 Polarization: vertical/horizontal
 Connector: N-/ TNC-/ 7/16-female
 VSWR: < 1.5
 Radome: UV resistant ABS/FG,
 RAL 7012, PU foam filling
 copper
 Radiator: coated aluminium
 Passive elements: Ø 35-60 mm, aluminium alloy
 Attachment: bracket, stainless steel V-bolts and self-locking nuts

Lightning protection: DC-short circuited
 Temperature: -40°C - +80°C
 IP: 67

- combination of durability, light weight and low wind load
- radome enclosed radiator
- IP67 proof construction
- all electromechanics moulded inside of closed cell PU foam
- DC shorted feed point
- integrated impedance compensation
- integrated RF choke



RoHS
Compliant

CompleTech
ComAnt[®]-antennas by CompleTech, Finland

DIRECTIONAL YAGI

CAY