

TRIMBLE® KENAI TABLET COMPUTER

Version1.00
RevisionA
August2015



About this user guide

This user guide describes how to set up and use the Trimble® Kenai tablet computer. The information in this guide supplements the information in the Quick Start Guide, which you received in the box with the tablet computer.

Even if you have used other Global Navigation Satellite System (GNSS) or Global Positioning System (GPS) products before, Trimble recommends that you spend some time reading this guide to learn about the special features of the product.

If you are not familiar with GNSS, go to the Trimble website (www.trimble.com) for more information.



Failure to follow these safety instructions could result in fire, electric shock, or other injury, or damage to the tablet computer or other property.

For safety information, see [Safety Information](#), page 42.

Registration

To receive information regarding updates and new products, contact your local dealer or visit the Trimble customer registration website at www.trimble.com/register. When you have registered, you can select the newsletter, upgrade, or new product information.

Contents

1 About the Kenai tablet computer	5
Configuration options	6
Parts and accessories	6
Parts of the handheld	8
Applying the screen protector	9
Attaching the stylus	9
Inserting a SIM card	10
Using the hand strap	11
2 Getting started	12
Charging the battery	13
LED status	13
Turning your tablet computer on and off	14
Using the touchscreen	14
Calibrating the touchscreen	16
Using the Kenaiutility	16
3 Managing power	17
Removing / swapping the battery	18
Checking the charge level of the battery	18
Power management and power-saving tips	18
4 Connecting to and communicating with other devices	20
Connecting to external audio devices	21
Connecting to USB devices	21
Connecting to RS-232 devices	21
Working with Wi-Fi (802.11)	21
Working with Bluetooth	22
Using a cellular network	23
5 Working with the camera	24
Taking a photo or recording video	25
Working with photos and videos	25
6 Working with GNSS	28
Using GNSS	29
7 Working with the accelerometer and compass	30
Activating the accelerometer	31
Using the compass	31

8 Using BIOS setup and system recovery	32
When to use the BIOS setup utility	33
Accessing the BIOS Setup utility	33
Setting a supervisor password	35
Updating BIOS	35
Updating EC	37
9 Troubleshooting	38
Safety Information	42
Caring for your device	43
Safe use of your device	43
Environmental considerations and specifications	45
Environmental hazards	46
Hardware specifications	47
Regulatory information	48
Exposure to Radio Frequency (RF) Signals	49
Declaration of conformity	50
Telecommunications & Internet Association (TIA) information	51
Legal notices	53
Recycling information	54
Regional compliance information	54
Warranty	56
End User License Agreement for Product Software	57
Copyright and Trademarks	60

About the Kenai tablet computer

- Configuration options
- Parts of the handheld
- Applying the screen protector
- Attaching the stylus
- Using the hand strap

Configuration options

The Trimble Kenai tablet computer is powered by the Windows® 8 operating system, and is available in the following configurations:

- 64 GB SSD, 4 GB RAM, with Wi-Fi and Bluetooth® wireless technology
- 128 GB SSD, 4 GB RAM, with Wi-Fi and Bluetooth wireless technology
- 128 GB SSD, 8 GB RAM, with Wi-Fi and Bluetooth wireless technology
- 256 GB SSD, 8 GB RAM, with Wi-Fi and Bluetooth wireless technology

Some configurations are available with WWAN and/or a Cirronet radio module.

Parts and accessories

Expectation for a standard pack out:

- Trimble Kenai tablet (for specified customer configuration request)
- Standard battery pack (hot swappable)
- Fine tipped capacitive stylus and tether
- Standard screen protector film
- AC Power adapter

Other accessories:

- Standard battery pack
- Extended battery pack
- Screen protectors
- Polarized sunglasses compatible screen film
- Hand strap
- Mounting systems - vehicle dash, vehicle windscreen, and survey rod
- DC power adapter
- Capacitive display compatible work gloves
- Rugged keypad
- Office dock
- Office external battery charger

1 About the Kenai tablet computer

- External GPS patch antenna
- Carry case

The Office Dock provides a charging and syncing station in an office environment with access to the following additional features:

- USB: 2x rear, 1x front
- HDMI output
- 3.5 mm stereo headset jack
- Ethernet
- AC power adapter
- Kensington lock
- Power status LED (front)

The Powered Vehicle Dock enables you to dock the tablet in cars, trucks, marine vehicles and other heavy transport. It supports a broad range of input voltages in a single design, and provides access to the following features:

- Audio output (2x front speakers, external headset support at rear)
- USB (2x Front, 2x Rear)
- Key locking (Top mounted)
- Ethernet
- HDMI output
- RS232 (2x)
- GNSS
- External GNSS antenna socket
- Replaceable 20 AMP Fuse

Parts of the handheld

Front view

IMAGE-FRONT

- | | |
|----------------------------------|----------------------|
| ☒ Microphone | ☒ F1 button |
| ☒ LED indicators: Power, Battery | ☒ F2 button |
| ☒ Touch screen | ☒ F3 button |
| ☒ Power button | ☒ F4 button |
| ☒ Windows button | ☒ Fn Function button |
| ☒ OK button | ☒ |

The programmable buttons labelled **F1**, **F2**, **F3**, **F4** are imprinted with directional arrows, and default to cursor actions to allow up down left and right movement of the cursor or tab selection. Use the Kenai utility on the tablet computer to assign other functions to these buttons. To access the other functions, press the **Fn** button. For more details on using the Kenai utility, see [Using the Kenai utility, page 16](#).

The **OK** button defaults to the *Enter* command.

Back view

IMAGE-BACK

- | | |
|--------------------|--------------------------|
| ☒ Battery lock | ☒ Stylus tether |
| ☒ Battery* | ☒ Stylus / stylus holder |
| ☒ External speaker | ☒ Camera |

*Image shows the standard battery. An extended (larger battery) is also available.

Back view - battery removed

IMAGE-BACK (Battery removed)

- ☒ SIM card slot

Bottom view

IMAGE-BOTTOM

🔍 Kensington lock

🔍 Docking connector

Side view - right

IMAGE-RIGHT SIDE

🔍 Power connector

🔍 RS-232 connector

🔍 USB connector

Side view - left

IMAGE-LEFT SIDE

🔍 USB connector

🔍 Headset connector

Applying the screen protector

Unprotected screens become scratched and scuffed over time. Screen protectors extend the life of the display by providing a protective and replaceable barrier between abrasive grit and the surface of the display.

The tablet computer's touchscreen is protected during transport by a transparent film. Remove the protective film from the touchscreen to begin using the tablet computer. To keep the touchscreen clean and protected, apply the screen protector following the instructions provided in the screen protector package.

Trimble recommends that you replace the screen protector every two months, or more often if heavily used.

Screen damage associated with not using a screen protector, not using the approved screen protector or failure to follow the instructions for installation may void the product warranty.

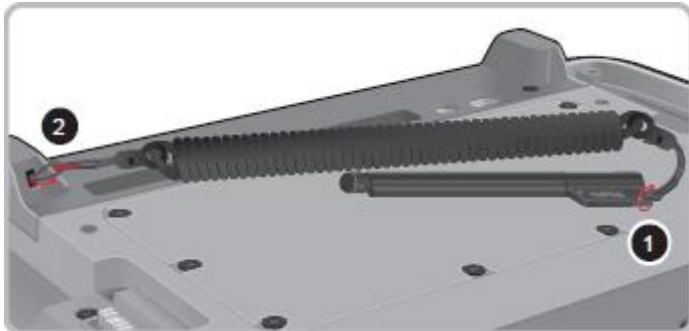
Do not use paper towels to clean the display; use the cleaning cloth provided. Avoid touching the screen with a pen or pencil.

Attaching the stylus

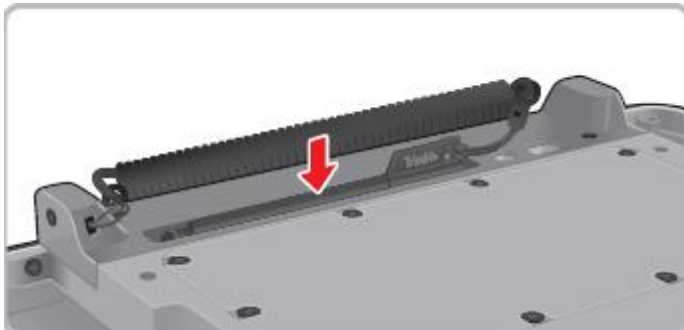
Your tablet computer comes with a capacitive stylus for use with the touchscreen. The stylus holders at the back of the tablet computer provides a convenient place to store the stylus, on the right of the left of the device. To attach the stylus to your tablet computer:

1 About the Kenai tablet computer

1. Loop one end of the tether to the stylus eyelet.
2. Loop the other end of the tether to the tablet computer eyelet.



3. Push the stylus on the stylus holder until it locks into place.



To remove the stylus, lift the stylus by its tab to remove it from the stylus holder. For convenience of use, pull the tab to extend the stylus length.

Inserting a SIM card

If your tablet computer supports data connection using 3G SIM cards, it includes a micro SIM card slot for cellular and wireless connection. Only a micro SIM card is supported in the slot.

To insert a SIM card:

1. Make sure the tablet computer is turned off. Remove the battery and locate the SIM card slot inside the battery compartment.
2. Open the SIM card slot cover.
3. Align the SIM card with the slot making sure that the corners match.
4. Insert the micro SIM card and press it in until it clicks.
5. Close the SIM card slot cover, and replace the battery. Lock the battery compartment.

Using the hand strap

The Kenai tablet computer comes with a hand strap for ease of use and carrying.

To attach the hand strap, use a Phillips screwdriver to fasten the 4 screws on the hand strap to the back of the tablet computer.

Ensure the hand strap is fitted the correct way around so that it is clear of the rear-facing camera.

Getting started

- Charging the battery
- LED status
- Inserting a SIM card
- Turning your tablet computer on and off
- Using the touchscreen
- Calibrating the touchscreen

This section tells you how to get started using your tablet computer for the first time, and explains some basic operating system features. For more details on using the Windows 8 operating system, refer to the Microsoft Windows 8 Help.

Charging the battery

The tablet computer operates on external AC power or battery power.



Charging or using the battery in unauthorized equipment can cause an explosion or fire, and can result in personal injury and/or equipment damage.

To prevent injury or damage:

- Do not charge or use the battery if it appears to be damaged or leaking.
- Charge the Lithium-ion battery only in a Trimble product that is specified to charge it. Be sure to follow all instructions that are provided with the battery charger.
- Discontinue charging a battery that gives off extreme heat or a burning odor.
- Use the battery only in Trimble equipment that is specified to use it.
- Use the battery only for its intended use and according to the instructions in the product documentation.

To connect the tablet computer to AC power and charge the battery inside the device:

1. Connect the appropriate plug to the power cord and attach the power supply.
2. Plug into an electrical outlet and plug the barrel end of the power supply into the unit.

When the AC adapter is connected, the battery is charging. The battery will charge fully in about 4.5 hours. The battery LED indicator glows amber to indicate that charging is in progress. When the battery is fully charged, the battery LED indicator glows green.

You can also use the office battery charger to charge a battery outside of the device.

For further information on removing / swapping batteries and managing power, see [Managing power, page 17](#).

LED status

There are two LEDs on the front left side of the device that provide status information:

- The Power LED shows the following different states:
 - Solid blue - tablet computer is turned on.
 - Flashing blue - tablet computer is in sleep mode.
 - Off - tablet computer is turned off.
- The battery LED shows the following different states:
 - Solid green - tablet computer is on, device is connected to mains power, and the battery is fully charging.
 - Solid amber - tablet computer is on, device is connected to mains power, and battery is charging.

- Flashing amber - tablet computer is on, and the battery power is low.
- Off - tablet computer is off, battery is fully charged / is missing.

Turning your tablet computer on and off

If you need to connect any peripheral devices to your tablet computer, do this before you turn on the tablet computer.

To turn on the tablet computer:

1. Make sure that the tablet computer is either connected to AC power or the battery is charged.
2. Press the *Power* button. The device runs through the start up sequence and powers up.

The Power LED indicator shows three different states:

- Solid blue - tablet computer is turned on
- Flashing blue - tablet computer is in sleep mode
- Off - tablet computer is turned off.

To turn off the tablet computer, do any of the following:

- On the *Start* screen, tap [power icon] / *Shut down*.
- On the *Desktop* screen, tap and hold [the Windows icon] at the bottom left corner of the screen, then tap *Shut down or sign out* / *Shut down*.
- From either screen, flick the right-hand side of the screen to the left to display the *Charm bar*. Tap *Settings*, then tap *Power* [icon] / *Shut down*.

Using the touchscreen

The tablet computer's touchscreen is protected during transport by a transparent film. Remove the protective film from the touchscreen to begin using the tablet computer. Trimble recommends that you always use a screen protector when using the tablet computer. See [Applying the screen protector, page 9](#).

Use only your finger, the capacitive stylus, or suitable conductive gloves to interact with the touchscreen. Do not use sharp, pointed objects or rough gloves on the touchscreen. These objects may scratch the screen.

Do not place any objects on its surface and do not press down strongly with sharp-pointed or hard objects that may leave marks

Use the stylus only for touching the screen. Using it for any other purpose may damage the stylus and result in scratches on the screen.

The capacitive stylus uses electromagnetic induction and may not work properly near strong electrical fields or magnetic fields such as near AM radio base stations or relay station antennas, or near CRT

displays that generate strong electromagnetic field noise. Move away from such locations so that the stylus works properly.

The pointer cannot follow the stylus movement if you move it too quickly.

To make a selection, tap the screen once on the item you want to select.

To display a 'right-click' menu, tap and hold an item on the screen. Then tap the required menu item.

Selecting Finger mode or Stylus mode

Use the TouchControl utility to set the tablet computer to use a stylus, or your finger.

1. On the *Apps* screen, tap *TouchControl*.
2. Under *Touch Mode Setting*, select *Finger Mode* or *Stylus Mode*.

Adjusting the screen brightness manually

The touchscreen is designed to be responsive to external lighting conditions to adjust its brightness automatically, based on the [Power option](#) you have set. To manually adjust the screen brightness for a short period:

1. On the *Desktop* or the *Start* screen, flick the right-hand side of the screen to the left to display the *Charm bar*. (Note: in Portrait mode, flick from the bottom right corner, below the time and date, to display the *Charm bar*.)
2. Tap *Settings*.
3. Tap *Screen*, then drag the *Brightness* slider up to increase the brightness, or down to reduce it.

Setting landscape or portrait mode

The tablet computer's screen orientation changes between landscape and portrait as you physically rotate the tablet computer. To prevent the screen orientation from changing automatically, you can lock the screen in landscape or portrait mode:

1. Turn the tablet computer to display the screen in the mode you want to lock.
2. On the *Desktop* or the *Start* screen, flick the right-hand side of the screen to the left to display the *Charm bar*. (Note: in Portrait mode, flick from the bottom right corner, below the time and date, to display the *Charm bar*.)
3. Tap *Settings*.
4. Tap *Screen*, then tap the small rectangle icon above the *Brightness* slider.

The screen is now locked in whichever orientation the tablet computer was showing, and the small rectangle icon also shows a padlock.

To unlock the orientation setting, tap the small rectangle icon again.

Calibrating the touchscreen

If you need to recalibrate the touchscreen, use the Windows 8 screen calibration tool.

1. On the *Desktop*, flick the right-hand side of the screen to the left to display the *Charm bar*. Tap *Control Panel*.
2. Tap *Tablet PC Settings*.
3. In the *Tablet PC Settings* dialog, tap **Calibrate**. The first time you calibrate the touchscreen, a message appears confirming that you want to allow the tool to make changes to the device. Tap **Yes**.
4. Follow the on-screen instructions, tapping the marker as it appears on the screen, then save your changes.

Using the Kenai utility

The F1, F2, F3, and F4 buttons on the front right of the tablet computer can be programmed to perform different actions than the default cursor actions to allow up down left and right movement of the cursor or tab selection.

To assign other actions for the F1 - F4 buttons, use the Kenai utility (name to be confirmed). You can specify 4 actions for each button.

1. Launch the Kenai utility, then tap **Button Setting**.
Setting A shows the default settings for the F1 - F4 buttons. You can change these if required.
2. To set the required actions for the F1 - F4 buttons, tap the required Setting button (**Setting A, Setting B, Setting C, Setting D**).
3. Tap the drop-down arrow for each of the F1 - F4 buttons in turn, and select the required action from the list.
4. When you have selected all the required actions, tap **Save**.
5. Tap **EXIT** to close the Kenai utility.

Details button?

To invoke the additional functions for the F1 - F4 buttons, press the **Fn** button. By default, the actions under *Setting A* apply. When you press **Fn**, the next *Set* is invoked. Keep pressing **Fn** to cycle through the sets. The details of each set are displayed as you press **Fn**.

Managing power

- [Removing / swapping the battery](#)
- [Checking the charge level of the battery](#)
- [Power management and power-saving tips](#)

Your tablet computer operates either on external AC power or on battery power. This chapter tells you how you can effectively manage power. To maintain optimal battery performance, it is important that you use the battery in the proper way.

The operating time of a fully charged battery pack depends on how you use the tablet computer. When you use applications that often access peripherals, or when you stay connected to a wireless network, the operating time of the battery may be shortened.

WARNING:

- Do not disassemble the battery pack. There are no user-serviceable parts inside. Doing so may present risk of exposure to harmful chemicals, explosion or fire.
- Contact your local waste disposal service provider regarding the disposal or recycling of used battery packs

Removing / swapping the battery

If you rely on battery power for a long period of time, consider purchasing an extended life battery or an additional standard battery to use for backup.

The tablet computer is fitted with an internal battery that maintains normal operation for a reasonable period of time while the external battery is changed. However, Trimble still recommends that you save all work before you replace the external battery.

To replace the battery with a battery that has been charged outside of the device, do the following:

1. Disconnect the tablet computer from the AC power.
2. Unlock the battery compartment, and remove the battery.
3. Insert the replacement battery, and lock the battery in place.

You **MUST** lock the battery; the battery charge status on the *Desktop* displays an error if the battery is not locked in, and, if the tablet computer is turned off, it will not turn on.

Checking the charge level of the battery

To check the level of battery charge, on the Desktop, tap the Battery icon in the *Notifications* area at the bottom right of the screen.

Power management and power-saving tips

The power management feature helps reduce power consumption extending battery life.

The Trimble Kenai tablet computer supports ACPI (Advanced Configuration and Power Interface) for power management. Power supply to different components is controlled on an as-needed basis. This allows maximum power conservation and performance at the same time.

The Windows operating system comes with pre-defined *Power Options* (*Balanced*, *Power Saver*, *ECO mode*, and *High Performance*) for you to select. To access *Power Options*:

1. On the *Desktop*, flick the right-hand side of the screen to the left to display the *Charm bar*. Tap *Control Panel*.
2. Tap *Power Options*. (Or, in *Category view*, tap *System and Security / Power Options*).

By default, the Kenai tablet computer is in *Balanced Mode*.

For detailed information on power management, see Windows Help.

Here are some practical suggestions that you can do to maximize the operating time of the battery:

3 Managing power

- Enable Power Management. Choose a power plan that saves power. A power plan is a collection of hardware and system settings that control how the tablet computer manages power.
- Decrease the LCD brightness to the lowest comfortable level.
- Shorten the length of time before the Windows operating system turns off the display.
- Many USB devices use power just by being connected. If you use a USB flash drive, unplug it when you are not using it.
- Deactivate the wireless radios when you are not using them.
- Turn off the tablet computer when you are not using it.

Connecting to and communicating with other devices

- [Connecting to external audio devices](#)
- [Connecting to USB devices](#)
- [Connecting to RS-232 devices](#)
- [Working with Wi-Fi \(802.11\)](#)
- [Working with Bluetooth](#)
- [Using a cellular network](#)

The Kenai tablet computer offers multiple methods of connecting to and communication with other devices.

Not all the features apply to every tablet computer configuration, as some of the features are offered as options.

Connecting to external audio devices

The tablet computer has one combo audio connector that supports both audio in and audio out devices. You can connect speakers, headphones, or earphones.

To connect an audio device, simply plug the device cable into the audio connector on the left side of the tablet computer.

Connecting to USB devices

The tablet computer has two USB ports for connecting USB devices, such as a flash disk drive, scanner, printer, keyboard, and mouse. The tablet computer has built-in support for mass storage devices and human interface devices.

Other types of USB devices may require drivers.

To connect a USB device, plug the device cable into one of the USB ports on either side of the tablet computer.

Connecting to RS-232 devices

Working with Wi-Fi (802.11)

If your tablet computer comes with built-in Wi-Fi (also called Wireless LAN (WLAN) or 802.11) capability, you can connect to available access points or hot spots to wirelessly transmit data to and from the tablet computer.

To find out if your tablet computer has Wi-Fi installed, on the *Apps* screen, tap *PC Settings*, then tap *Network*.

Note – *Wi-Fi is off by default; however the on/off state will persist after a reset.*

To turn Wi-Fi on or off, and to connect to Wi-Fi networks:

1. On the *Desktop*, in the notification area, tap the *Networks* icon [ICON]. The *Networks* panel displays. All Wi-Fi networks that are in range are listed.
2. Use the *Networks* panel to:
 - Turn Airplane mode on or off (turns all wireless radios on or off).
 - Turn Wi-Fi on or off.
 - Connect to a Wi-Fi network. Tap the network you want to connect to, then tap **Connect**. If required, enter a password.

- Set the tablet computer to connect to a network automatically. Tap the network (when not connected to it) then tap **Connect automatically**.
- Disconnect from a Wi-Fi network. Tap the network that you are connected to, then tap **Disconnect**.

To view the properties and data usage details of a Wi-Fi network:

1. On the *Apps* screen, tap *PC Settings*, then tap *Network*.
2. Tap *Connections*, then tap the network whose details you want to view.

To remove a Wi-Fi network from the tablet computer:

1. On the *Apps* screen, tap *PC Settings*, then tap *Network*.
2. Tap *Connections*, then tap *Manage known networks*.
3. Tap the Wi-Fi network you want to remove from the tablet computer, then tap **Forget**.

To save battery power, turn the Wi-Fi radio off when you are not using it.

Working with Bluetooth

The Kenai tablet computer has embedded Bluetooth wireless technology—a short-range wireless communication technology that exchanges information over a distance of up to 30 feet (10 meters), without requiring a physical connection.

To turn Bluetooth on and off:

1. On the *Apps* screen, tap *PC Settings*, then tap *PC and Devices / Bluetooth*.
2. On the *Manage Bluetooth devices* screen, slide the Bluetooth on / off slider as required.

Before you can connect the tablet computer to other devices for the first time, you must pair the tablet computer and the device:

1. On the *Apps* screen, tap *PC Settings*, then tap *PC and Devices / Bluetooth*.
2. On the *Manage Bluetooth devices* screen, make sure Bluetooth is on, and that the device you want to pair with has Bluetooth Discovery mode enabled.
3. The tablet computer searches for and lists all the Bluetooth-enabled devices discovered within range. In the list, tap the device you want to pair with, then tap **Pair**.
4. On the other device, a message appears informing you that the tablet computer is trying to connect to it. Compare the passcodes on both devices, and click / tap **Yes** on both devices.

Note – You can also access the *Manage Bluetooth devices* screen from the *Desktop notification area*; tap the [up arrow], then tap the *Bluetooth* icon. A pop-up menu displays. Tap *Add a Bluetooth Device*, or *Show Bluetooth devices*.

When you have paired the tablet computer with another Bluetooth-enabled device, you can connect to it to send and / or receive files:

1. On the *Desktop*, in the notification area, tap the [up arrow], then tap the Bluetooth icon.
2. On the pop-up menu, do one of the following:
 - Tap *Send a file* then select the device you want to send a file to (this device must be set to allow the file to be received). Tap **Next**, then browse to the file you want to send. Select the file, then click **Next**.
 - Tap *Receive a file*. Follow the on-screen instructions.

To configure Bluetooth settings:

1. On the *Desktop*, in the notification area, tap the *More notifications arrow*, then tap the Bluetooth icon.
2. On the pop-up menu, tap *Open Settings*.
3. In the Bluetooth Settings dialog, you can set the following:
 - Allow other Bluetooth-enabled devices to find the tablet computer
 - Allow other Bluetooth-enabled devices to connect to the tablet computer
 - Alert you when other Bluetooth-enabled devices want to connect to the tablet computer

Using a cellular network

To use a cellular network, you must have a SIM card with data subscription. For instructions on inserting a SIM card, see [Inserting a SIM card](#).

Working with the camera

- Taking a photo or recording video
- Working with photos and videos

The Kenai tablet computer has an integrated 8MP digital camera.

Can use as 2D barcode scanner?

The camera has two capture modes: Photo mode and Video mode. By default, the camera opens to Photo mode.

Photos can be captured with GPS location data.

Taking a photo or recording video

1. Open the *Camera* app.
2. Do one of the following:
 - To capture a photo, make sure *Photo mode* is selected (this is the default). Focus on your subject, then tap the screen to capture the photo.
 - To capture a video, focus on your subject, then tap [VIDEO ICON] to switch to Video mode and start recording. A timer shows on the screen. When you are finished recording, tap [STOP ICON]

Photos and videos are stored in the Picture library, in Camera Roll.

You can view, edit and delete photos from within the Camera app, or from the *Picture library / Camera Roll*.

You can view videos from within the Camera app, or from the *Picture library / Camera Roll*.

To delete a video, use *File Explorer*.

Working with photos and videos

To view or edit photos:

1. Open the *Camera* app, or tap *Photos / Camera Roll* to open *Picture library / Camera Roll*.
2. Tap the photo you want to view or edit.
3. Tap anywhere on the screen to bring up the photo editing tools. The following tools are available:
 - **Delete.**
 - **Open with.**
 - **Set as.** Tap to set the image as the screen lock image.
 - **Slide show.** Tap to start a slide show of the photos (and videos) in the *Camera Roll*. To stop the slide show, tap the screen.
 - **Rotate.**
 - **Crop.** Tap to display a crop frame on the photo. Drag the corners of the frame to the area you want to crop. If the photo is larger than the crop frame, you can also drag the photo to move the frame over different parts of the photo. To change the ratio of the frame, tap **Aspect ratio** then select the required value from the list. Tap **Apply** to crop the photo.
 - **Edit.** When you tap **Edit**, further options display on the left and right of the screen. The options on the right of the screen change depending on the option you select on the left of the screen.

- **Auto fix.** Tap to display a selection of "fixed" versions of the photo on the right. Tap the version you want to use, then save (see below).
- **Basic fixes.** Tap to access the following tools:
 - **Rotate.** One tap rotates the photo 90 degrees clockwise
 - **Crop.** Tap to display a crop frame on the photo. Drag the corners of the frame to the area you want to crop. If the photo is larger than the crop frame, you can also drag the photo to move the frame over different parts of the photo. To change the ratio of the frame, tap **Aspect ratio** then select the required value from the list. Tap **Apply** to crop the photo.
 - **Straighten.** Tap and hold, then drag the marker round the dial to adjust the photo's straightness.
 - **Red eye.**
 - **Retouch.**
- **Light.** Tap to display controls for **Brightness**, **Contrast**, **Highlights**, and **Shadows**. Tap and hold the required control, then drag the marker round the dial to set the required level.
- **Color.** Tap to display controls for:
 - **Temperature**, **Tint**, and **Saturation**. Tap and hold the required control, then drag the marker round the dial to set the required level.
 - **Color enhance.** Tap the tool, then tap the required area on the screen, then drag the marker round the dial to set the required level.
- **Effects.** Tap to controls for:
 - **Vignette.** Tap and hold the required control, then drag the marker round the dial to set the required level.
 - **Selective focus.** Tap to display a frame on the photo to focus the photo in that area. Drag the markers on the frame to resize it or change its shape. Tap **Preview** to hide / show the frame. Tap **Strength** to change the focus settings. Tap **Apply** to save your changes.

At any time, you can redisplay the original photo; flick the bottom edge of the screen upwards, then tap and hold *View original*. Release *View original* to return to the edited version you are working on.

To undo or redo any changes, flick the bottom edge of the screen upwards, then tap *Undo* or *Redo*.

To save any changes you have made, flick the bottom edge of the screen upwards, then tap *Save a copy* or *Update original*.

To cancel any edits or to exit *Edit* mode, flick the bottom edge of the screen upwards, then tap *Cancel*.

To view videos, do one of the following:

- Open the *Camera* app, then flick the camera screen to the right to scroll back through any photos or video files you have saved. When a video is displayed, the video starts to play.
 - To pause play, tap the screen; to resume play, tap the screen again.
 - Drag the slider to rewind or fast-forward through the video.
 - To exit the video, flick the camera screen to the right or the left to scroll back or forwards through any photos and videos saved to the *Camera Roll*.
- On the *Apps* screen, tap *Photos / Camera Roll* to open *Picture library / Camera Roll*. Tap the video you want to view. The video starts to play.
 - To pause play, tap the screen; to resume play, tap the screen again.
 - Drag the slider to rewind or fast-forward through the video.
 - To exit the video, pause play, then tap the arrow at the top left of the screen.

To delete a video, use *File Explorer*.

Working with GNSS

- Using GNSS

The Kenai tablet computer has a GNSS (Global Navigation Satellite System) receiver module built in and includes the Trimble GPS Information software.

Using GNSS

GNSS on the Kenai tablet computer uses a U-blox NEO-MT8. There is an external antenna option, and the built in antenna is a 25mmx25mm patch. The MT8 is GPS, GLONASS and BeiDou capable (although can only be configured to track 2 of 3 constellations at a time).

Trimble GPS Information is an application that allows you to manage the following:

- Position. The Position tab provides an overview of your location and system status. Click the Open Map in Web Browser button to view your location on the map.
- Satellites.
- The Satellites tab displays the coordinates of your location as viewed from the satellites, including the date and time and satellite altitude.

To open Trimble GPS Information, tap .

Working with the accelerometer and compass

- [Activating the accelerometer](#)
- [Using the compass.](#)

The Kenai tablet computer has a built-in accelerometer sensor and comes with a compass application. The accelerometer detects your location, surroundings, and more. You can use the compass application to point in the direction in which you are heading.

Activating the accelerometer

By default, the accelerometer is enabled on the Kenai tablet computer. However, if you need to disable and re-enable this feature, do the following:

1. Open the *Control Panel*, and select
- 2.

Using the compass

The Sensor Control Application is a compass application that points the direction to where you are heading just like a mechanical compass does.

1. To open the compass application, tap
2. To use the compass, hold the tablet computer with both hands in front of you. Face the direction in which you are heading. The screen displays your direction.

To recalibrate the compass, rotate and then turn the tablet computer.

Using BIOS setup and system recovery

- [When to use the BIOS setup utility](#)
- [Accessing the BIOS Setup utility](#)
- [Setting a supervisor password](#)
- [Updating BIOS](#)
- [Updating EC](#)

BIOS Setup utility is a program used to configure the BIOS (Basic Input/ Output System) settings of the tablet computer. The BIOS is a layer of software, called firmware, that translates instructions from other layers of software into instructions that the tablet computer hardware can understand. It enables you to configure system settings, such as Boot and AP menus, as well as basic settings. The tablet computer uses the BIOS settings to identify the types of installed devices and establish special features.

When to use the BIOS setup utility

You need to run BIOS Setup utility when:

- You want to restore the factory default BIOS settings.
- You want to modify specific hardware settings.
- You want to modify specific settings to optimize the system performance.

Accessing the BIOS Setup utility

1. To run the BIOS Setup utility, do one of the following:

- If the tablet computer is off, press the **Power** button to turn on the tablet computer. The power LED lights up. Quickly press and hold the **Windows** button until the *BIOS Post* screen displays.
- If the tablet computer is on, press the **Power** button to turn off the tablet computer. Then press and hold the **Windows** button until the *BIOS Post* screen displays.

(Note that due to the fast boot up and boot down time, there is only a small time frame of a few seconds between the release of the **Power** button and the opportunity to press the **Windows** button.)



2. Tap *Setup* under *App Menu* to open the BIOS Setup utility. The *App Menu* screen displays.



The BIOS Setup utility has the following menus:

- The *Main* menu contains the system date and system time settings and boot features, and shows the basic system information.
- The *Advanced* menu contains the settings for:
 - *System Component*
 - *Miscellaneous Configuration*
 - *Security Configuration*
- The *Security* menu contains settings for:
 - *Passwords*
 - *TPM (Trusted Platform Module)*: Enables or disables support for security devices
- The *Boot* menu sets the boot order of devices.
- The *Save & Exit* menu displays ways of exiting the BIOS Setup utility. When you have modified any settings, you must save and exit for the changes to take effect:
 - *Exit Saving Changes*: Saves the changes you have made and exits the BIOS Setup utility.
 - *Exit Discarding Changes*: Exits the BIOS Setup utility without saving the changes you have made.
 - *Load Setup Defaults*: Restores the default values of all items.
 - *Discard Changes*: Restores the previous values of all items.
 - *Save Changes*: Saves the changes you have made.

For more information, see the following sections:

- [Setting a supervisor password, page 35](#)
- [Updating BIOS, page 35](#)
- [Updating EC, page 37](#)

Setting a supervisor password

You can set a supervisor password, which will be required to access the BIOS Setup utility.

1. In the BIOS Setup utility, tap *Security / Account's Password Status*.
2. Tap **Enter** next to *Set Supervisor Password* to access the virtual keyboard.
3. Type in the password to use for the Supervisor profile, then tap **Enter**.
4. Type in the same password again to verify it, then tap **Enter** to confirm the password.
5. Tap *Home* at the bottom of the screen, then tap *Save & Exit*.
6. Tap **Exit Saving Changes** to display the confirmation screen, then tap **Yes**.

To change the supervisor password:

1. In the BIOS Setup utility, tap *Security / Account's Password Status*.
2. Tap **Enter** next to *Set Supervisor Password* to access the virtual keyboard.
3. Type in the current supervisor password, then tap **Enter**.
4. Type in the new password, then tap **Enter**.
5. Type in the same password again to verify it, then tap **Enter** to confirm the new password.
6. Tap *Home* at the bottom of the screen, then tap *Save & Exit*.
7. Tap **Exit Saving Changes** to display the confirmation screen, then tap **Yes**.



the BIOS to enter the BIOS menus. See [Updating BIOS, page 35](#).

Updating BIOS

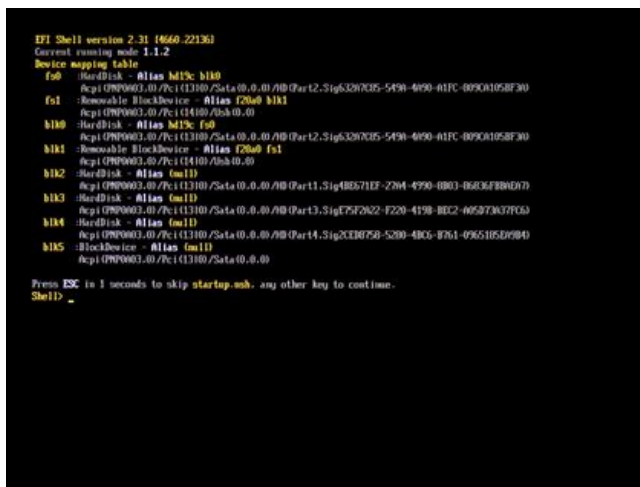
To update and reflash the system BIOS, start with the tablet computer turned off. You will also need a USB keyboard connected to the tablet computer to enter commands.



system's mainboard, Trimble recommends that you connect the device to mains power using the the AC adapter.

8 Using BIOS setup and system recovery

1. Contact your technical sales or technical representative to obtain the correct BIOS file.
2. Copy the BIOS file on to a USB device.
3. Connect the USB device to one of the device's USB ports.
4. Turn on the tablet computer.
5. Once the device is on and the Windows 8 Home screen displays, flick the right-hand side of the screen to the left to display the *Charm bar*. (Note: in Portrait mode, flick from the bottom right corner, below the time and date, to display the *Charm bar*.)
6. Tap *Settings*.
7. Tap *Change PC settings*.
8. On the *PC settings* menu, tap *Update and recovery*.
9. On the *Update and recovery* screen, tap *Recovery*.
10. Under *Advanced startup*, tap **Restart now**.
11. Tap *Use a device* to select a boot preference.
12. From the *Use a device* menu, tap *Internal Shell* to open the command screen.
13. In the command screen, enter **fs1:** to select the USB device already connected to the device. The command directs you to the USB device's root menu.



```
EFI Shell version 2.31 (660.22136)
Current running mode: 1.1.2
Device mapping table
fs0  :HardDisk - Alias MISC: b1b0
      Acpi (PNP0A03.0)/Pci (11180/Sata (0,0,0)/Port2.Sig528705-5498-4990-A1FC-09501058F30)
fs1  :Removable FlashDevice - Alias F2b0 b1k1
      Acpi (PNP0A03.0)/Pci (14100/Usb (0,0))
b1b0 :HardDisk - Alias MISC: fs0
      Acpi (PNP0A03.0)/Pci (11180/Sata (0,0,0)/Port2.Sig528705-5498-4990-A1FC-09501058F30)
b1k1 :Removable FlashDevice - Alias F2b0 fs1
      Acpi (PNP0A03.0)/Pci (14100/Usb (0,0))
b1k2 :HardDisk - Alias (m11)
      Acpi (PNP0A03.0)/Pci (112100/Sata (0,0,0)/Port11.Sig48671EF-2704-4990-0803-86036F88D70)
b1k3 :HardDisk - Alias (m11)
      Acpi (PNP0A03.0)/Pci (113100/Sata (0,0,0)/Port13.SigE25F2622-F220-4198-BD2-46527037F03)
b1k4 :HardDisk - Alias (m11)
      Acpi (PNP0A03.0)/Pci (113100/Sata (0,0,0)/Port14.Sig2C80750-5200-4805-8761-4965105D9B4)
b1k5 :FlashDevice - Alias (m11)
      Acpi (PNP0A03.0)/Pci (113100/Sata (0,0,0))

Press ESC in 1 seconds to skip startup.nsh, any other key to continue.
Shell> fs1:
```

14. If the BIOS file is in a folder and not in the root directory, navigate to the target folder.
15. Type **wf (.nsh)** and tap Enter. **wf** is the designated BIOS file.
16. Do not turn off the tablet computer or interfere with the reflash process until the process is complete.
17. Reboot the tablet computer. The BIOS is now updated.

Updating EC

To update EC, start with the tablet computer turned off. You will also need a USB keyboard connected to the tablet computer to enter commands.



system's mainboard, Trimble recommends that you connect the device to mains power using the the AC adapter.

1. Contact your technical sales or technical representative to obtain the correct file.
2. Copy the file on to a USB device.
3. Connect the USB device to one of the device's USB ports.
4. Turn on the tablet computer.
5. Once the device is on and the Windows 8 Home screen displays, flick the right-hand side of the screen to the left to display the *Charm bar*. (Note: in Portrait mode, flick from the bottom right corner, below the time and date, to display the *Charm bar*.)
6. Tap *Settings*.
7. Tap *Change PC settings*.
8. On the *PC settings* menu, tap *Update and recovery*.
9. On the *Update and recovery* screen, tap *Recovery*.
10. Under *Advanced startup*, tap **Restart now**.
11. Tap *Use a device* to select a boot preference.
12. From the *Use a device* menu, tap *Internal Shell* to open the command screen.
13. In the command screen, enter the EC source file folder.
14. In the source folder, enter **f**.
15. Do not turn off the tablet computer or interfere with the reflash process until the process is complete.
16. Reboot the tablet computer. The EC is now updated.

Troubleshooting

Following are answers to some frequently asked questions. If you encounter problems when using the tablet computer, try the following troubleshooting tips first to detect and solve the problem.

Many faults can also be cleared by removing the batteries and AC power connections for several seconds. Then re-install the batteries, connect the AC power and then turn on the tablet computer again.

If problems persist, contact customer support.

Why is the battery not charging?

- Make sure both battery locking latches are correctly positioned.
- Make sure the AC adapter is properly connected.
- Make sure the battery is not too hot or too cold.
- Make sure the battery is installed correctly.
- Make sure the battery terminals are clean.
- The tablet computer may have come from an outdoor environment which exceeds the charging ambient temperature. Wait a while for the battery pack to reach the appropriate room temperature, and it will start charging.

Why won't the tablet computer start up?

Check that the battery lock is engaged (see [Removing / swapping the battery, page 18](#)).

If this does not resolve the issue, perform these steps:

1. Remove the battery.
2. Disconnect the external power source.
3. Re-install the battery.
4. Connect the external power source.
5. Try to start the tablet computer again.

Why is the screen blank?

- The tablet computer may be in *Sleep* mode. Press the **Power** button to wake up the display.
- The brightness level may be too low. Increase brightness (see [Power management and power-saving tips, page 18](#)).

Why did the screen suddenly go blank during use, and the Power LED turned off?

- Make sure the AC adapter is properly connected.
- The battery may be depleted. Replace or charge the battery.

How do I to keep my battery from failing during a job?

Consider carrying a fully charged spare battery in the field. The device is designed so that battery replacement can be easily done (see [Removing / swapping the battery, page 18](#)).

Why can I not use Wi-Fi?

Make sure that Wi-Fi is turned on.

Why is the Wi-Fi signal quality poor?

- The tablet computer may be out of range; move it closer to the access point or another Wi-Fi device associated with it.
- Check if your surroundings have interferences, such as microwave ovens, cordless phones. Move the tablet computer away from objects causing interference.

Why can I not connect to another Wi-Fi device?

- Make sure that Wi-Fi is turned on.
- Make sure that the SSID setting is the same for every Wi-Fi device in the network.
- Restart the tablet computer.
- Make sure the IP address or subnet mask setting is correct.

Why can I not connect to another device with Bluetooth?

Make sure that:

- both devices have Bluetooth turned on.
- the distance between the two devices is within 10 meters and there are no walls or large obstructions between the devices.
- both devices are turned on and are configured to be discoverable.
- both devices are compatible.

How do I delete files?

Open File Explorer and browse to the file to be deleted. Touch and hold on the file and tap *Delete* from the menu that appears.

How can I make the display more viewable?

- Open the *Control Panel* and select *Display*. You can adjust the display brightness and resolution.
- Select an appropriate Power option. See [Power management and power-saving tips, page 18](#).
- Confirm that you have only one screen protector in place.

Why do I have no sound?

- Tap the Volume control in the *Notifications* area of the *Desktop* to adjust the volume of the tablet computer.
- If using an external audio device, make sure that the cable is properly connected.

Safety Information

- Caring for your device
- Safe use of your device
- Environmental considerations and specifications
- Environmental hazards
- Hardware specifications
- Regulatory information
- Exposure to Radio Frequency (RF) Signals
- Declaration of conformity
- Telecommunications & Internet Association (TIA) information

Before you use your Trimble product, make sure that you have read and understood all safety requirements.



death.



damage or irretrievable data loss.

Note – An absence of specific alerts does not mean that there are no safety risks involved.

Caring for your device

Cleaning the device

Turn off the device. Use a soft, dampened cloth with either water or a diluted mild detergent. If a mild detergent is used, ensure all soap residue is removed. Do not use any chemical cleaners and do not put the device in the dishwasher.

Care of the touchscreen

Use only your finger or the included capacitive stylus or other devices specifically designed for use with touchscreens.

The use of ballpoint pens, nails or other sharp objects to operate the touchscreen will scratch and/or damage the device. Keep the touchscreen clean by gently wiping the display, using a soft, dampened cloth with either clean water or glass cleaner.

Do not use abrasive cleaners directly on the display. Doing so may void your warranty. Use the screen protectors included with the device to keep the touchscreen clean and protected, following the instructions provided on the screen protector package

Mechanical shock

The device is designed to resist damage from drops up to 153 cm (5 feet). However, you should protect the display from impact, pressure, or abrasive substances that can scratch it or crack it. The device should not be dropped unnecessarily.

Safe use of your device

Repair

Do not attempt to dismantle the device for repair. There are no user-serviceable parts inside. For service, contact your local Trimble dealer.

Battery safety

Lithium-Ion batteries are classified by the U. S. Federal Government as non-hazardous waste and are safe for disposal in the normal municipal waste stream. These batteries contain recyclable materials and are accepted for recycling. Dispose of used batteries in accordance with local regulations.

- Do not disassemble or open, crush, bend or deform, puncture, or shred the battery. There are no user-serviceable parts in the battery pack.

- Do not modify or remanufacture, attempt to insert foreign objects into the battery, immerse or expose to water or other liquids, or expose to fire, explosion, or other hazard. Do not expose to temperatures above +158 °F (+70 °C)
- Use only the battery for the system for which it was specified.
- Only use the battery with a charging system that has been qualified with the system per this standard. Use of an unqualified battery or charger may present a risk of fire, explosion, leakage, or other hazard.
- Do not short circuit a battery or allow metallic or conductive objects to contact the battery terminals.
- Replace the battery only with another battery that has been qualified with the system per this standard. Use of an unqualified battery may present a risk of fire, explosion, leakage, or other hazard.
- Promptly dispose of used batteries in accordance with local regulations.
- Battery usage by children should be supervised.
- Non approved batteries will not function in the device.
- Avoid dropping the device or battery. If dropped, especially on a hard surface, and the user suspects damage to the battery, take it to a service center for inspection.
- Improper battery use may result in a fire, explosion, or other hazard.
- In the event of a battery leak, do not allow the liquid to come in contact with the skin or eyes. If contact has been made, wash the affected area with large amounts of water and seek medical advice.
- Seek medical advice immediately if a battery has been swallowed.

Power supply safety

Use only AC and vehicle adapters intended for the device. Other external power sources may damage your product and void the warranty. .

- Ensure the input voltage on the adapter matches the voltage in your location. Ensure the adapter has prongs compatible with your outlets.
- The power supply is designed for indoor use only. Avoid using the power supply in wet areas.
- Unplug the power supply from power when not in use.
- Do not short the output connector.

Environmental considerations and specifications

The device's rugged design allows you to run your applications in harsh outdoor environments. Here are some considerations that will help you get the most out of your device when working in very wet, hot or cold conditions.

Rated IP65, the device is:

- is resistant to accidental drops (up to 4 ft)
- is resistant to random vibration/knocks
- is resistant to high and low frequency vibration
- is resistant to solar exposure
- is resistant to temperature shock
- is resistant to chemical exposure
- is resistant to / operable in water and dust exposure
- has an operating temperature range of -22 °F to +130 °F (-30 °C to +55 °C)
- has an operating altitude range of 0 – 15,000 ft
- has a relative humidity operating range of 0 – 95%

The operational temperature range for the WWAN units is from -4 °F to +130 °F (-20 °C to +55 °C). Although the device is designed to be rugged, do not leave it in direct sunlight or in a vehicle in the sunlight for extended periods.

Batteries perform best at room temperature. The battery has a stable capacity as temperatures rise; however, the colder the temperature, the greater the reduction in available battery life. Under very cold conditions (-4 °F / -20 °C and below), the battery life will be shortened. To improve the battery performance in very cold conditions, consider carrying a fully charged, spare battery in a warm place (for instance, keeping them inside your coat). The device is designed for battery replacement to be easily done.

Environmental hazards



The product complies with international RoHS regulations.

有毒有害物质和元素

Toxic and hazardous substances and elements

部件名称 Part Name	铅 Lead (Pb)	汞 Mercury (Hg)	镉 Cadmium (Cd)	六价铬 Hexavalent Chromium (Cr6+)	聚溴联苯 Poly-brominated biphenyls (PBB)	聚溴二苯醚 Poly-brominated diphenyl ethers (PBDE)	
印制电路组件 Printed Circuit Assemblies	X	0	0	0	0	0	
显示 Display	X	0	0	0	0	0	
键盘 Keypad	X	0	0	0	0	0	
住房 Housing	0	0	0	0	0	0	
硬件 Hardware	0	0	0	0	0	0	

Product Period does not include these items

电池 Battery	X	0	0	0	0	0	
交流适配器 Power supply	X	0	0	0	0	0	
电缆 cable	0	0	0	0	0	0	
开始指南 Manual	0	0	0	0	0	0	
手带 Hand strap	0	0	0	0	0	0	
触控笔包 Stylus pkg.	0	0	0	0	0	0	
随带光盘 Companion CD	0	0	0	0	0	0	

Hardware specifications

Operating system	Windows® 8.1 (64-bit)
Processor	BayTrail-I Atom E3826 1.46GHz
RAM (Volatile)	4 GB or 8 GB
Flash storage	64, 128, or 256 GB SSD
Display	10.1" (1920X1200) w/Corning Gorilla glass
Battery	49 Wh (standard)98 Wh (extended)
I/O BOOTS	3.5 mm audio jack, RS232, USB host (2x), docking station I/O, DC power input
Sound	Integrated speaker. Audio jack is for a headset with microphone
Wireless communications	WLAN 802.11 a/b/g/n Bluetooth v4.0 WWAN LTE 4G (optional) 2.4 GHz Radio (optional)

Regulatory information

U.S.A.

This device complies with Part 15 of the FCC Rules. It is tested to comply with FCC standards for home or office use. Operation is subject to the following two conditions: (1) this device may not cause harmful interference, and (2) this device must accept any interference received, including interference that may cause undesired operation.

This equipment has been tested and found to comply with the limits for a Class B digital device, pursuant to Part 15 of the FCC Rules. These limits are designed to provide reasonable protection against harmful interference in a residential installation. This equipment generates, uses and can radiate radio frequency energy and, if not installed and used in accordance with the instructions, may cause harmful interference to radio communications. However, there is no guarantee that interference will not occur in a particular installation. If this equipment does cause harmful interference to radio or television reception, which can be determined by turning the equipment off and on, the user is encouraged to try to correct the interference by one or more of the following measures:

- Reorient or relocate the receiving antenna.
- Increase the separation between the equipment and receiver.
- Connect the equipment to an outlet on a circuit different from that to which the receiver is connected.
- Consult the dealer or an experienced radio/TV technician for help.

Changes or modifications not expressly approved by the party responsible for compliance could void the user's authority to operate the equipment.

Operation on the 5.15-5.25GHz frequency band is restricted to indoor use only. The FCC requires indoor use for the 5.15-5.25GHz band to reduce the potential for harmful interference to co-channel Mobile Satellite Systems. Therefore, it will only transmit on the 5.25-5.35 GHz, 5.47-5.725 GHz and 5.725 –5.850 GHz band when associated with an access point (AP).

Canada

This digital apparatus does not exceed the Class B limits for radio noise emissions from digital apparatus as set out in the radio interference regulations of the Canadian Department of Communications. Le présent appareil numérique n'émet pas de bruits radioélectriques dépassant les limites applicables aux appareils numériques de Classe B prescrites dans le règlement sur le brouillage radioélectrique édicté par le Ministère des Communications du Canada.

IC Regulations

This device complies with Industry Canada license-exempt RSS standard(s).

Operation is subject to the following two conditions:

- (1) this device may not cause interference, and

(2) this device must accept any interference, including interference that may cause undesired operation of the device.

Le présent appareil est conforme aux CNR d'Industrie Canada applicables aux appareils radio exempts de licence. L'exploitation est autorisée aux deux conditions suivantes:

(1) l'appareil ne doit pas produire de brouillage, et

(2) l'utilisateur de l'appareil doit accepter tout brouillage radioélectrique subi, même si le brouillage est susceptible d'en compromettre le fonctionnement."

This Class B digital apparatus complies with Canadian ICES-003.

Cet appareil numérique de la classe B est conforme à la norme NMB-003 du 1 Canada.

The device could automatically discontinue transmission in case of absence of information to transmit, or operational failure. Note that this is not intended to prohibit transmission of control or signaling information or the use of repetitive codes where required by the technology.

The device for the band 5150-5250 MHz is only for indoor usage to reduce potential for harmful interference to co-channel mobile satellite systems; the maximum antenna gain permitted (for devices in the bands 5250-5350 MHz and 5470-5725 MHz) to comply with the e.i.r.p. limit; and The maximum antenna gain permitted (for devices in the band 5725-5850 MHz) to comply with the e.i.r.p. limits specified for point-to-point and non point-to-point operation as appropriate, as stated in section A9.2(3). In addition, High-power radars are allocated as primary users (meaning they have priority) of the band 5250-5350 MHz and this radar could cause interference and/or damage to LE-LAN devices.

The County Code Selection feature is disabled for products marketed in the US/Canada. For product available in the USA/ Canada markets, only channel 1~11 can be operated. Selection of other channels is not possible.

Important Note

IC Radiation Exposure Statement

This EUT is compliance with SAR for general population/uncontrolled exposure limits in IC RSS-102 and had been tested in accordance with the measurement methods and procedures specified in IEEE 1528.

Exposure to Radio Frequency (RF) Signals

This device is compliance with SAR for general population /uncontrolled exposure limits in ANSI/IEEE C95.1-1999 and had been tested in accordance with the measurement methods and procedures specified in OET Bulletin 65 Supplement C.

This equipment complies with FCC RF radiation exposure limits set forth for an uncontrolled environment. This device was tested for operations with the device contacted directly to the human body to the back side of the EUT. To maintain compliance with FCC RF exposure compliance requirements, avoid direct contact to the transmitted antenna during transmitting.

The device contains a radio transmitter and receiver. The radiated output power is far below the international radio frequency exposure limits. These limits are part of comprehensive guidelines and

establish permitted levels of RF energy for the general population. The guidelines are based on the safety standards previously set by international standards bodies:

- American National Standards Institute (ANSI) IEEE. C95.1-1992.
- National Council on Radiation Protection and Measurement (NCRP). Report 86. 1986.
- Int'l Commission on Non-Ionizing Radiation Protection (ICNIRP) 1996.
- Ministry of Health (Canada), Safety Code 6. The standards include a substantial safety margin designed to assure the safety of all persons, regardless of age and health.

Use of unauthorized or modified antennas may impair call quality and damage the phone, causing loss of performance. To assure optimal phone performance and ensure human exposure to RF energy is within the guidelines set forth in the relevant standards; always use your device only in its normal-use position. Avoiding contact with the antenna area when the phone is IN USE optimizes the antenna performance.

Declaration of conformity

Europe

According to ISO / IEC Guide 22 and EN 450 14

Manufacturer's Name: Trimble Navigation Limited.

Manufacturer's Address: PO Box 947, Corvallis, OR 97339 USA

Declares, under our sole responsibility, that the product:

Product Name: Tablet Computer

Model Number:

Regulatory Name:

Product Options: ALL

Conforms to the following Product Specifications:

R&TTE Directive 1999/5/EC ETSI EN 300 328 V1.6.1 (2004) ETSI EN 301 489-1 V1.5.1 (2004)

ETSI EN 301 489-17 V1.2.1 (2002)

EN 55022 (1998) CISPR 22 (2005)

EN 55024 (1998), Amendments A1:2001, A2:2003

EN 60950-1 (2001)

CFR 47, Part 15, Subpart B

EN 61000-3-2 (2000)

EN 61000-3-3 (2001)

EN 61000-4-3 (2002)

EN 61000-4-2 (2001)

EN 61000-4-4 (2004)

EN 61000-4-5 (2001)

EN 61000-4-6 (2004)

EN 61000-4-11 (2004)

Supplementary information

In addition, the product is battery powered and the power supply provided with this product has been certified to IEC 60950 +A1, A2, A3, A4, A11.

As manufacturer, we declare under our sole responsibility that the equipment follows the provisions of the Standards stated above.

Corvallis, OR USA

Importer of Record: Trimble European Regional Fulfillment Center, Logistics Manager, Meerheide 45, 5521DZ Eersel, Netherlands.

CAUTION: Only approved accessories may be used with this equipment. In general, all cables must be high quality, shielded, correctly terminated and normally restricted to two meters in length. Power supplies approved for this product employ special provisions to avoid radio interference and should not be altered or substituted.

Unapproved modifications or operations beyond or in conflict with these instructions for use may void authorization by the authorities to operate the equipment.

Telecommunications & Internet Association (TIA) information

Hearing Aids: Some digital wireless phones may interfere with some hearing aids. In the event of such interference, you may want to consult your service provider, or call the customer service line to discuss alternatives.

Pacemakers and Other Medical Devices: The Health Industry Manufacturers Association recommends a minimum separation of six inches be maintained between a handheld wireless phone and a pacemaker to avoid potential interference with the pacemaker. These recommendations are consistent with the independent research by and recommendations of Wireless Technology Research. Persons with pacemakers should use the ear opposite the pacemaker to minimize the potential for interference. If you have any reason to suspect that interference is taking place, turn the phone OFF immediately.

If you use any other personal medical device, consult the manufacturer of your device to determine if they are adequately shielded from external RF energy. Your physician may be able to assist you in obtaining this information.

SafetyInformation

Turn the phone OFF in health care facilities when any regulations posted in these areas instruct you to do so. Hospitals or health care facilities may be using equipment that could be sensitive to external RF energy.

Legal notices

- [Recycling information](#)
- [Regional compliance information](#)
- [Warranty](#)
- [End User License Agreement for Product Software](#)
- [Copyright and Trademarks](#)

Recycling information

You should dispose of the tablet computer and accessories properly according to local laws and regulations. Because the tablet computer contains electronic components, it must be disposed of separately from household waste. When the tablet computer reaches its end of life, contact your local Trimble reseller to learn about disposal and recycling options for your area.

Recycling in Europe



The symbol above means that according to local laws and regulations your product and/or its battery shall be disposed of separately from household waste. When this product reaches its end of life, take it to a collection point designated by local authorities. The separate collection and recycling of your product and/or its battery at the time of disposal will help conserve natural resources and ensure that it is recycled in a manner that protects human health and the environment.

For information about recycling Trimble WEEE (Waste Electrical and Electronic Equipment) products that run on electrical power go to http://www.trimble.com/corporate/about_WEEE_ROHS_initiatives.aspx.

To recycle Trimble WEEE products call +31 497 53 24 30, and ask for the "WEEE Associate". or mail a request for recycling instructions to: Trimble Europe B.V. WEEE Recycling

C/O Menlo
logistics Gate 19
to 26 Meerheide
43 5521 DZ
Eersel
The Netherlands

Taiwan Battery Recycling Requirements



The product includes a Lithium-ion battery. Taiwanese regulations require that waste batteries are recycled. 廢電池請回收

Regional compliance information

To view compliance on the Kenai tablet computer go to  / *Settings* / *System* / *System Information* / *Compliance*.

Australia and New Zealand



This product conforms with the regulatory requirements of the Australian Communications and Media Authority (ACMA) Telecommunications, Radiocommunications and EMC Labelling Notices, thus satisfying the requirements for RCM marking and sale within Australia and New Zealand.

Europe

A copy of the EU declaration of conformity is available at: www.trimble.com/



This Trimble Kenai tablet computer has been tested and found to comply with all requirements for CE Marking and sale within the European Economic Area (EEA).

The tablet computer has Bluetooth and wireless LAN approval and satisfies the requirements for Radio and Telecommunication Terminal Equipment specified by European Council Directive 1999/5/EC. These requirements provide reasonable protection against harmful interference when the equipment is operated appropriately in a residential or commercial environment.

The tablet computers is intended for connection to European Networks operating on GSM 900, or GSM 1800 MHz.

Canada

IC ID: 1756A-88161

This digital apparatus does not exceed the Class B limits for radio noise emissions from digital apparatus as set out in the radio interference regulations of the Canadian Department of Communications.

Le présent appareil numérique n'émet pas de bruits radioélectriques dépassant les limites applicables aux appareils numériques de Classe B prescrites dans le règlement sur le brouillage radioélectrique édicté par le Ministère des Communications du Canada.

Changes and modifications not expressly approved by the manufacturer or registrant of this equipment can void your authority to operate this equipment under Industry Canada rules.

Les changements et modifications non expressément approuvés par le fabricant ou le détenteur de cet équipement peuvent annuler votre droit à utiliser cet appareil en vertu des règles d'Industrie Canada.

Legal Information

Antenna Statement

Under Industry Canada regulations, this radio transmitter may only operate using an antenna of a type and maximum (or lesser) gain approved for the transmitter by Industry Canada. To reduce potential radio interference to other users, the antenna type and its gain should be so chosen that the equivalent isotropically radiated power (e.i.r.p.) is not more than that necessary for successful communication.

Conformément à la réglementation d'Industrie Canada, le présent émetteur radio peut fonctionner avec une antenne d'un type et d'un gain maximal (ou inférieur) approuvé pour l'émetteur par Industrie Canada. Dans le but de réduire les risques de brouillage radioélectrique à l'intention des autres utilisateurs, il faut choisir le type d'antenne et son gain de sorte que la puissance isotrope rayonnée équivalente (p.i.r.e.) ne dépasse pas l'intensité nécessaire à l'établissement d'une communication satisfaisante.

Licence exempt

This device complies with Industry Canada licence-exempt RSS standard(s). Operation is subject to the following two conditions:

- (1) this device may not cause interference, and
- (2) this device must accept any interference, including interference that may cause undesired operation of the device.

Le présent appareil est conforme aux CNR d'Industrie Canada applicables aux appareils radio exempts de licence. L'exploitation est autorisée aux deux conditions suivantes :

- (1) l'appareil ne doit pas produire de brouillage, et
- (2) l'utilisateur de l'appareil doit accepter tout brouillage radioélectrique subi, même si le brouillage est susceptible d'en compromettre le fonctionnement.

U.S.

FCC ID: S9E-7265NGW

Korea



"해당무선설비는 운용 중 전파 혼신가능성이 있음"
인증번호: MSIP-CMM-TNZ-88161
기자재의 명칭 (모델명): 이동통신용 무선설비(88161)
적합성평가를 받은 자의 상호: Trimble Navigation Ltd.
제조자/제조국가: Trimble Navigation Ltd. / 멕시코

FCC Compliance Statement

This equipment has been tested and found to comply with the limits for a Class B digital device pursuant to Part 15 of the FCC Rules. Operation is subject to the following two conditions: (1) this device may not cause harmful interference, and (2) this device must accept any interference received, including interference that may cause undesired operation.

This equipment generates, uses, and can radiate radio frequency energy and, if not installed and used in accordance with the instructions may cause harmful interference to radio communication. However, there is no guarantee that interference will not occur in a particular installation. If this equipment does cause harmful interference to radio or television reception, which can be determined by turning the equipment off and on, the user is encouraged to try to correct the interference by one or more of the following measures:

- Reorient or relocate the receiving antenna.
- Increase the separation between the equipment and the receiver.
- Connect the equipment into an outlet on a circuit different from that to which the receiver is connected.
- Consult the dealer or an experienced radio/TV technician for help.

Changes and modifications not expressly approved by the manufacturer or registrant of this equipment can void your authority to operate this equipment under Federal Communications Commission rules.

The radios in this device have been designed and manufactured to not exceed stipulated emission limits for exposure to radio frequency (RF) energy as required by the Federal Communications Commission of the U.S. Government 47 C.F.R. § 2.1091 and 2.1093.

The external antenna connector provided in this device is for GNSS antennas only.

IC

Operation is subject to the following two conditions: (1) this device may not cause interference, and (2) this device must accept any interference, including interference that may cause undesired operation of the device.

This Class B digital apparatus complies with Canadian ICES-003.

Cet appareil numérique de la classe B est conforme à la norme NMB-003 du Canada.

This Category II radio communication device complies with Industry Canada Standard RSS-310.

Ce dispositif de radiocommunication de catégorie II respecte la norme CNR-310 d'Industrie

Canada. IMPORTANT NOTE:

IC Radiation Exposure Statement

This EUT is compliant with SAR for general population/uncontrolled exposure limits in IC RSS-102 and had been tested in accordance with the measurement methods and procedures specified in IEEE 1528. This equipment should be installed and operated with minimum distance 0.5 cm between the radiator & your body. This device and its antenna(s) must not be co-located or operating in conjunction with any other antenna or transmitter. The County Code Selection feature is disabled for products marketed in the US/Canada.

Radio Frequency (RF) Exposure Information

The radiated output power of the Wireless Device is below the Industry Canada (IC) radio frequency exposure limits. The Wireless Device should be used in such a manner such that the potential for human contact during normal operation is minimized.

This device has been evaluated for and shown compliant with the IC Specific Absorption Rate ("SAR") limits when installed in specific host products operated in portable exposure conditions.

Informations concernant l'exposition aux fréquences radio (RF)

La puissance de sortie émise par l'appareil de sans fil est inférieure à la limite d'exposition aux fréquences radio d'Industrie Canada (IC). Utilisez l'appareil de sans fil de façon à minimiser les contacts humains lors du fonctionnement normal.

Ce périphérique a été évalué et démontré conforme aux limites SAR (Specific Absorption Rate – Taux d'absorption spécifique) d'IC lorsqu'il est installé dans des produits hôtes particuliers qui fonctionnent dans des conditions d'exposition à des appareils portables.

CE

a. Caution:

- Risk of explosion if battery replaced by an incorrect type.
 - Dispose of used batteries according to the instructions.
- b. Make sure the temperature for adapter will not be higher than 40 °C.

Warranty

Product Limited Warranty

Subject to the terms and conditions set forth herein, Trimble Navigation Limited (“Trimble”) warrants that for a period of (1) year from date of purchase this Trimble product (the “Product”) will substantially conform to Trimble's publicly available specifications for the Product and that the hardware and any storage media components of the Product will be substantially free from defects in materials and workmanship.

Product Software

Product software, whether built into hardware circuitry as firmware, provided as a standalone computer software product, embedded in flash memory, or stored on magnetic or other media, is licensed solely for use with or as an integral part of the Product and is not sold. The terms of the end user license agreement, as included below, govern the use of the Product Software, including any differing limited warranty terms, exclusions and limitations, which shall control over the terms and conditions set forth in the limited Product warranty.

Warranty Remedies

If the Trimble Product fails during the warranty period for reasons covered by this limited warranty and you notify Trimble of such failure during the warranty period, Trimble will repair OR replace the nonconforming Product with new, equivalent to new, or reconditioned parts or Product, OR refund the Product purchase price paid by you, at Trimble's option, upon your return of the Product in accordance with Trimble's product return procedures then in effect.

How to Obtain Warranty Service

To obtain warranty service for the Product, it is recommended you contact your Trimble dealer. Alternatively, you may contact Trimble to request warranty service by emailing Repair_Services@Trimble.com. Please be prepared to provide:

- your name, address, and telephone numbers;
- product name, Part Number and Serial Number
- proof of purchase; and
- an explanation of the problem.

The customer service representative may need additional information from you depending on the nature of the problem.

Warranty Exclusions and Disclaimer

This Product limited warranty shall only apply in the event and to the extent that (i) the Product is properly and correctly installed, configured, interfaced, maintained, stored, and operated in accordance with Trimble's applicable operator's manual and specifications, and; (ii) the Product is not modified or misused. This Product limited warranty shall not apply to, and Trimble shall not be responsible for, defects or performance problems resulting from (i) the combination or utilization of the Product with hardware or software products, information, data, systems, interfaces, or devices not made, supplied, or specified by Trimble; (ii) the operation of the Product under any specification other than, or in addition to, Trimble's standard specifications for its products; (iii) the unauthorized installation, modification, or use of the Product; (iv) damage caused by: accident, lightning or other electrical discharge, fresh or salt water immersion or spray (outside of Product specifications); or exposure to environmental conditions for which the Product is not intended; (v) normal wear and tear on consumable parts (e.g., batteries); or (vi) cosmetic damage. Trimble does not warrant or guarantee the results obtained through the use of the Product or Software, or that software components will operate error free.

NOTICE REGARDING PRODUCTS EQUIPPED WITH TECHNOLOGY CAPABLE OF TRACKING SATELLITE SIGNALS FROM SATELLITE BASED AUGMENTATION SYSTEMS (SBAS) (WAAS, EGNOS, GAGAN, MSAS AND LUCH), OMNISTAR, BEIDOU, GPS, GALILEO OR GLONASS SATELLITES, OR FROM IALA BEACON SOURCES: TRIMBLE IS NOT RESPONSIBLE FOR THE OPERATION OR FAILURE OF OPERATION OF ANY SATELLITE BASED POSITIONING SYSTEM OR THE AVAILABILITY OF ANY SATELLITE BASED POSITIONING SIGNALS.

THE FOREGOING LIMITED WARRANTY TERMS STATE TRIMBLE'S ENTIRE LIABILITY, AND YOUR EXCLUSIVE REMEDIES, RELATING TO THE TRIMBLE PRODUCT. EXCEPT AS OTHERWISE EXPRESSLY PROVIDED HEREIN, THE PRODUCT, AND ACCOMPANYING DOCUMENTATION AND MATERIALS ARE PROVIDED “AS-IS” AND WITHOUT EXPRESS OR IMPLIED WARRANTY OF ANY KIND, BY EITHER TRIMBLE OR ANYONE WHO HAS BEEN INVOLVED IN ITS CREATION, PRODUCTION, INSTALLATION, OR DISTRIBUTION, INCLUDING, BUT NOT LIMITED TO, THE IMPLIED WARRANTIES OF MERCHANTABILITY AND FITNESS FOR A PARTICULAR PURPOSE, TITLE, AND NON-INFRINGEMENT. THE STATED EXPRESS WARRANTIES ARE IN LIEU OF ALL OBLIGATIONS OR LIABILITIES ON THE PART OF TRIMBLE ARISING OUT OF, OR IN CONNECTION WITH, ANY PRODUCT. BECAUSE SOME STATES AND JURISDICTIONS DO NOT ALLOW LIMITATIONS ON DURATION OR THE EXCLUSION OF AN IMPLIED WARRANTY, THE ABOVE LIMITATION MAY NOT APPLY TO YOU.

Limitation of Liability

TRIMBLE'S ENTIRE LIABILITY UNDER ANY PROVISION HEREIN SHALL BE LIMITED TO THE AMOUNT PAID BY YOU FOR THE PRODUCT. TO THE MAXIMUM EXTENT PERMITTED BY APPLICABLE LAW, IN NO EVENT SHALL TRIMBLE OR ITS SUPPLIERS BE LIABLE FOR ANY INDIRECT, SPECIAL, INCIDENTAL, OR CONSEQUENTIAL DAMAGE WHATSOEVER UNDER ANY CIRCUMSTANCE OR LEGAL THEORY RELATING IN ANYWAY TO THE PRODUCTS, SOFTWARE AND ACCOMPANYING DOCUMENTATION AND MATERIALS, (INCLUDING, WITHOUT LIMITATION, DAMAGES FOR LOSS OF BUSINESS PROFITS, BUSINESS INTERRUPTION, LOSS OF DATA, OR ANY OTHER PECUNIARY LOSS), REGARDLESS OF WHETHER TRIMBLE HAS BEEN ADVISED OF THE POSSIBILITY OF ANY SUCH LOSS AND REGARDLESS OF THE COURSE OF DEALING WHICH DEVELOPS OR HAS DEVELOPED BETWEEN YOU AND TRIMBLE. BECAUSE SOME STATES AND JURISDICTIONS DO NOT ALLOW THE EXCLUSION OR LIMITATION OF LIABILITY FOR CONSEQUENTIAL OR INCIDENTAL DAMAGES, THE ABOVE LIMITATION MAY NOT APPLY TO YOU.

NOTE: THE ABOVE TRIMBLE LIMITED WARRANTY PROVISIONS WILL NOT APPLY TO PRODUCTS PURCHASED IN THOSE JURISDICTIONS (E.G., MEMBER STATES OF THE EUROPEAN ECONOMIC AREA) IN WHICH PRODUCT WARRANTIES ARE THE RESPONSIBILITY OF THE LOCAL DEALER FROM WHOM THE PRODUCTS ARE ACQUIRED. IN SUCH A CASE, PLEASE CONTACT YOUR TRIMBLE DEALER FOR APPLICABLE WARRANTY INFORMATION.

Notice to Australian Purchasers On The Australian Consumer Law

Our goods come with guarantees that cannot be excluded under the Australian Consumer Law. You are entitled to a replacement or refund for a major failure and for compensation for any other reasonably foreseeable loss or damage. You are also entitled to have the goods repaired or replaced if the goods fail to be of acceptable quality and the failure does not amount to a major failure.

Legal notices

Trimble's warranty, as set out in the user manual accompanying this statement, or as described in the warranty card accompanying the Product you purchased, is in addition to any mandatory rights and remedies that you may have under the Australian Consumer Law.

Official Language

THE OFFICIAL LANGUAGE OF THESE TERMS AND CONDITIONS IS ENGLISH. IN THE EVENT OF A CONFLICT BETWEEN ENGLISH AND OTHER LANGUAGE VERSIONS, THE ENGLISH LANGUAGE SHALL CONTROL.

End User License Agreement for Product Software

IMPORTANT, READ CAREFULLY. THIS END USER LICENSE AGREEMENT ("EULA") IS A LEGAL AGREEMENT BETWEEN YOU AND Trimble Navigation Limited ("Trimble") and applies to the computer software provided with the Trimble product purchased by you (whether built into hardware circuitry as firmware, embedded in flash memory or a PCMCIA card, or stored on magnetic or other media), or provided as a stand-alone computer software product, and includes any accompanying written materials such as a user's guide or product manual, as well as any "online" or electronic documentation ("Software" or "Product Software"). This EULA will also apply to any Software error corrections, updates and upgrades subsequently furnished by Trimble, unless such are accompanied by different license terms and conditions, which will govern their use. You have acquired a Trimble Product ("Device") that includes Software, some of which was licensed by Trimble from Microsoft Corporation or its affiliates (collectively "Microsoft"). The Software licensed from Microsoft, as well as associated updates, supplements, internet-based services and support services, media, printed materials, and "online" or electronic documentation ("Microsoft Software"), are protected under this EULA. The Software is also protected by copyright laws and international copyright treaties, as well as other intellectual property laws and treaties. The Software is licensed, not sold.

BY USING THE SOFTWARE, INCLUDING USE ON THIS DEVICE, YOU ACCEPT THESE TERMS. IF YOU DO NOT ACCEPT THEM, DO NOT USE THE DEVICE OR SOFTWARE. INSTEAD CONTACT TRIMBLE FOR A REFUND OR CREDIT. As described below, using some features also operates as your consent to the transmission of certain standard computer information for Internet-based services.

WARNING: If the Software contains voice operated technologies, then operating this Software requires user attention. Diverting attention away from the road while driving can possibly cause an accident or other serious consequence. Even occasional, short diversions of attention can be dangerous if your attention is diverted away from your driving task at a critical time. Trimble and Microsoft make no representations, warranties or other determinations that ANY use of this Software is legal, safe, or in any manner recommended or intended while driving or otherwise operating a motor vehicle.

This EULA does not grant you any rights with respect to the Windows Mobile Device Center, Microsoft ActiveSync or Microsoft Outlook 2007 Trial which are subject to the licenses accompanying those items.

1 SOFTWARE PRODUCT LICENSE

1.1 License Grant. Subject to the terms and conditions of this EULA, Trimble grants you a non-exclusive right to use one copy of the Software in a machine-readable form only as installed on the Device. Such use is limited to use with the Device for which it was intended, as set forth in the product documentation. The Device Software is licensed with the Device as a single integrated product. The Device Software installed in read only memory ("ROM") of the Device may only be used as part of the Device into which it was embedded. You may use the installation Software from a computer solely to download the Software to one Device. In no event shall the installation Software be used to download the Software onto more than one Device. A license for the Software may not be shared or used concurrently on different computers or Devices.

1.2 Scope of License. This EULA only gives you some rights to use the Software. Trimble and Microsoft reserve all other rights. Unless applicable law gives you more rights despite this limitation, you may use the Software only as expressly permitted in this EULA. In doing so, you must comply with any technical limitations in the Software that allow you to use it only in certain ways. Except as expressly provided in this EULA, rights to access the Software on this Device do not give you any right to implement Microsoft patents or other Microsoft intellectual property in software or devices that access this device. You may use remote access technologies in the software such as Remote Desktop Mobile to access the Software remotely from a computer or server. You are responsible for obtaining any licenses required for use of the protocols to access other software.

1.3 Proof of License. If you acquired the Software on the Device, or on a disc or other media, a genuine Certificate of Authenticity label with a genuine copy of the Software identifies licensed software. To be valid, this label must be affixed to the Device, or included on or in the software packaging. If you receive the label separately, it is not valid. You should keep the label on the device or packaging to prove that you are licensed to use the Software. To identify genuine Microsoft Software, see <http://www.howtotell.com>.

1.4 Connectivity Software. Your Device package may include Windows Mobile Device Center or Microsoft ActiveSync software. If it is included, then you may install and use it in accordance with the license terms that are provided with it. If no license terms are provided, then you may install and use only one (1) copy of the Software on a single computer.

1.5 Digital Certificates. The Software uses digital certificates in X.509 format. These digital certificates are used for authentication.

1.6 Phone Functionality. If the Device Software includes phone functionality, all or certain portions of the Device Software may be inoperable if you do not have and maintain a service account with a wireless telecommunication carrier ("Mobile Operator"), or if the Mobile Operator's network is not operating or configured to operate with the Device.

1.7 Upgrade Software. In the event that any upgrades to the Software, including Microsoft Software, are provided under this EULA, then the following shall apply : you may follow the applicable instructions accompanying this Software and install one (1) copy of the Software on one (1) Device presently containing a licensed copy of a predecessor version of the Software (unless this EULA indicates that this Software copy has been licensed for installation on multiple Devices). **NO REPRESENTATION OR WARRANTY IS MADE BY TRIMBLE OR MICROSOFT WITH RESPECT TO THE COMPATIBILITY OF THIS SOFTWARE WITH ANY DEVICE OR ANY OTHER EXISTING SOFTWARE OR DATA OF ANY KIND CONTAINED ON SUCH DEVICES, AND NEITHER TRIMBLE OR MICROSOFT SHALL BE RESPONSIBLE IN ANY REGARD WITH RESPECT TO ANY LOSS, CORRUPTION, MODIFICATION OR INACCESSIBILITY OF ANY DATA, APPLICATIONS OR OTHER SOFTWARE RESULTING FROM THE INSTALLATION OF THE SOFTWARE ON ANY DEVICE.**

1.8 Internet-Based Services Components. Microsoft provides Internet- based services with the software. Microsoft may change or cancel them at any time. The Microsoft Software features described below connect to Microsoft or service provider computer systems over the Internet. In some cases, you will not receive a separate notice when they connect. You may switch off some of these features or not use them. For more information about these features, visit <http://go.microsoft.com/fwlink/?LinkId=81931>. By using these features, you consent to the transmission of this information. Microsoft does not use the information to identify or contact you. You may not use these services in any way that could harm them or impair anyone else's use of them. You may not use the services to try to gain unauthorized access to any service, data, account or network by any means.

1.9 Device Information. The following features use Internet protocols, which send to the appropriate systems device information, such as your Internet protocol address, the type of operating system, browser and name and version of the Software you are using, and the language code of the Device where you installed the Software. Microsoft uses this information to make the Internet-based services available to you. a) Update Features: Windows

Legal notices

Mobile Update feature provides you the ability to obtain and install Software updates on your Device if updates are available. You may choose not to use this feature. Trimble and/or your Mobile Operator may not support this feature or an update for your device. b) Security Updates/Digital Rights Management. Content owners use Windows Media digital rights management technology (WMDRM) to protect their intellectual property, including copyrights. This software and third party software use WMDRM to play and copy WMDRM-protected content. If the software fails to protect the content, content owners may ask Microsoft to revoke the software's ability to use WMDRM to play or copy protected content. Revocation does not affect other content. When you download licenses for protected content, you agree that Microsoft may include a revocation list with the licenses. Content owners may require you to upgrade WMDRM to access their content. Microsoft software that includes WMDRM will ask for your consent prior to the upgrade. If you decline an upgrade, you will not be able to access content that requires the upgrade.

1.10 Additional Software/Services. The Device Software may permit Trimble, Microsoft, their affiliates and/or their designated agent to provide or make available to you Software updates, supplements, add-on components, or Internet-based services components of the Software after the date you obtain your initial copy of the Software ("Supplemental Components").

1.10.1 If Trimble provides or makes available to you Supplemental Components and no other end user license agreement terms are provided along with the Supplemental Components, then the terms of this EULA shall apply.

1.10.2 If Microsoft, its affiliates and/or its designated agent makes available Supplemental Components, and no other end user license agreement terms are provided, then the terms of this EULA shall apply, except that the Microsoft entity or affiliate entity providing the Supplemental Component(s) shall be the licensor of the Supplemental Component(s).

1.10.3 Trimble, Microsoft and each of their affiliates and/or their designated agents reserve the right to discontinue any Internet-based services provided to you or made available to you through the use of the Device Software.

1.11 Links to Third Party Sites. If the Software provides links to third party websites, those links are provided to you only as a convenience, and the inclusion of any link does not imply an endorsement of the third party website by Microsoft or Trimble.

1.12 Other Rights and Limitations. (1) The Software contains valuable trade secrets proprietary to Trimble and its suppliers. To the extent permitted by relevant law, you shall not, nor allow any third party to copy, decompile, disassemble or otherwise reverse engineer the Software, or attempt to do so, provided, however, that to the extent any applicable mandatory laws (such as, for example, national laws implementing EC Directive 91/250 on the Legal Protection of Computer Programs) give you the right to perform any of the aforementioned activities without Trimble's consent in order to gain certain information about the Software for purposes specified in the respective statutes (i.e., interoperability), you hereby agree that, before exercising any such rights, you shall first request such information from Trimble in writing detailing the purpose for which you need the information. Only if and after Trimble, at its sole discretion, partly or completely denies your request, may you exercise such statutory rights. (2) This Software is licensed as a single product. You may not separate its component parts for use on more than one computer nor make more copies of the software than specified in this EULA. (3) You may not rent, lease, or lend the Software. (4) No service bureau work, multiple-user license or time-sharing arrangement is permitted. For purposes of this EULA "service bureau work" shall be deemed to include, without limitation, use of the Software to process or to generate output data for the benefit of, or for purposes of rendering services to any third party over the Internet or other communications network. (5) You may make one backup copy of the Software. You may use it only to reinstall the Software on the Device. (6) You may transfer the Software only with the Device, the Certificate of Authenticity label, and these license terms directly to a third party. Before the transfer, that party must agree that these license terms apply to the transfer and use of the Software. You may not retain any copies of the Software including the backup copy. (7) The Software is subject to United States export laws and regulations. You must comply with all domestic and international export laws and regulations that apply to the Software. These laws include restrictions on destinations, end users, and end use. For additional information see <http://www.microsoft.com/exporting>.

(8) Without prejudice as to any other rights, Trimble may terminate this EULA without notice if you fail to comply with the terms and conditions of this EULA. In such event, you must destroy all copies of the Software and all of its component parts. (9) If the Microsoft Software includes speech recognition component(s), you should understand that speech recognition is an inherently statistical process and that recognition errors are inherent in the process. Neither Trimble, Microsoft, nor any of their suppliers shall be liable for any damages arising out of errors in the speech recognition process. (10) You may not publish the Software for others to copy. (11) You may not use the Software for commercial software hosting services.

1.13 Notice Regarding the MPEG-4 Visual Standard. The Software may include MPEG-4 visual decoding technology. This technology is a format for data compression of video information. MPEG LA, L.L.C. requires this notice: USE OF THIS PRODUCT IN ANY MANNER THAT COMPLIES WITH THE MPEG-4 VISUAL STANDARD IS PROHIBITED, EXCEPT FOR USE DIRECTLY RELATED TO (A) DATA OR INFORMATION (i) GENERATED BY AND OBTAINED WITHOUT CHARGE FROM A CONSUMER NOT THEREBY ENGAGED IN A BUSINESS ENTERPRISE, AND (ii) FOR PERSONAL USE ONLY; AND (B) OTHER USES SPECIFICALLY AND SEPARATELY LICENSED BY MPEG LA, L.L.C. If you have questions about the MPEG-4 visual standard, please contact MPEG LA, L.L.C., 250 Steele Street, Suite 300, Denver, CO 80206; www.mpegla.com.

1.14 If the Device Software is provided by Trimble separate from the Device on media such as a ROM chip, CD ROM disk(s) or via web download or other means, and is labeled "For Upgrade Purposes Only" you may install one (1) copy of such Device Software onto the Device as a replacement copy for the existing Device Software and use it accordance with this EULA, including any additional end user license agreement terms accompanying the upgrade Device Software.

1.15 If any software component(s) is provided by Trimble separate from the Device on CD ROM disc(s) or via web download or other means, and labeled "For Upgrade Purposes Only," you may (i) install and use one (1) copy of such component(s) on the computer(s) you use to exchange data with the Device as a replacement copy for the existing Companion CD component(s).

1.16 Copyright. All title and copyrights in and to the Software (including but not limited to any images, photographs, animations, video, audio, music, text and "applets," incorporated into the Software), the accompanying printed materials, and any copies of the Software are owned by Trimble, or Microsoft (including Microsoft Corporation), and their respective suppliers. You may not copy the printed materials accompanying the Software. All title and intellectual property rights in and to the content which may be accessed through use of the Software is the property of the respective content owner and may be protected by applicable copyright or other intellectual property laws and treaties. This EULA grants you no rights to use such content. You shall not remove, cover or alter any of Trimble's patent, copyright or trademark notices placed upon, embedded in or displayed by the Software or on its packaging and related materials. All rights not specifically granted in this EULA are reserved by Trimble, Microsoft, and their respective suppliers.

1.17 U.S. Government Restricted Rights. The Software is provided with "RESTRICTED RIGHTS". Use, duplication, or disclosure by the United States Government is subject to restrictions as set forth in this EULA, and as provided in DFARS 227.7202-1(a) and 227.7202-3(a) (1995), DFARS 252.227-7013 (c)(1)(ii) (OCT 1988), FAR 12.212(a) (1995), FAR 52.227-19, or FAR 52.227-14(ALT III), as applicable.

1.18 Microsoft has contractually obligated Trimble to include the following terms in this EULA:

Product Support. The Product support for the Software is not provided by Microsoft or its affiliates or subsidiaries. For product support, please refer to the Trimble support number provided in the documentation for the Device.

Not fault tolerant. The Software is not fault tolerant. Trimble installed the Software on the Device and is responsible for how it operates on the Device. Restricted user. The Microsoft Software was designed for systems that do not require fail-safe performance. You may not use the Microsoft Software in any device or system in which a malfunction of the Microsoft Software would result in foreseeable risk of injury or death to any person. This includes operation of nuclear facilities, aircraft navigation or communication systems and air traffic control.

No warranties for the software. Microsoft gives no express warranties, guarantees or conditions regarding the Microsoft Software. Any warranties you receive regarding the Device or the Software do not originate from, and are not binding on, Microsoft or its affiliates. When allowed by your local laws, Trimble and Microsoft exclude implied warranties of merchantability, fitness for a particular purpose and non-infringement.

Legal notices

LIABILITY LIMITATIONS. You can recover from Microsoft and its affiliates only direct damages up to fifty U.S. Dollars (U.S. \$50.00), or equivalent in local currency. You cannot recover any other damages, including consequential, lost profits, special, indirect or incidental damages. This limitation applies to:

- Anything related to the Software, services, content (including code) on third party internet sites, or third party programs, and
- claims for breach of contract, breach of warranty, guarantee or condition, strict liability, negligence, or other tort to the extent permitted by applicable law.

It also applies even if Microsoft should have been aware of the possibility of the damages. The above limitation may not apply to you because your country may not allow the exclusion or limitation of incidental, consequential or other damages.

2 LIMITED WARRANTY FOR TRIMBLE PRODUCT SOFTWARE

2.1 Limited Warranty. Trimble warrants that the Software, exclusive of the Microsoft Software, will perform substantially in accordance with the accompanying written materials for a period of twelve (12) months from the date of purchase. This limited warranty gives you specific legal rights; you may have others, which vary from state/jurisdiction to state/jurisdiction. The above limited warranty does not apply to Fixes, Minor Updates, or Major Upgrades of the Software after expiration of the twelve (12) month limited warranty period, all of which are provided "AS IS" and without warranty unless otherwise specified in writing by Trimble. Because the Software is inherently complex and may not be completely free of nonconformities, defects or errors, you are advised to verify your work. Trimble does not warrant that the Software will operate error free or uninterrupted, will meet your needs or expectations, or that all nonconformities can or will be corrected.

2.2 Software Fixes. During the limited warranty period described in section 2.1 above, you will be entitled to receive such Fixes to the Product Software that Trimble releases and makes commercially available and for which it does not charge separately, subject to the procedures for delivery to purchasers of Trimble products generally. If you have purchased the Product from an authorized Trimble dealer rather than from Trimble directly, Trimble may, at its option, forward the software Fix to the Trimble dealer for final distribution to you. Minor Updates, Major Upgrades, new products, or substantially new software releases, as identified by Trimble, are expressly excluded from this update process and limited warranty. Receipt of Software Fixes or other enhancements shall not serve to extend the limited warranty period.

For purposes of this warranty the following definitions shall apply: (1) "Fix(es)" means an error correction or other update created to fix a previous software version that does not substantially conform to its Trimble specifications; (2) "Minor Update" occurs when enhancements are made to current features in a software program; and (3) "Major Upgrade" occurs when significant new features are added to software, or when a new product containing new features replaces the further development of a current product line. Trimble reserves the right to determine, in its sole discretion, what constitutes a Fix, Minor Update, or Major Upgrade.

2.3 Customer Remedies. Trimble's and its suppliers' entire liability, and your sole remedy, with respect to the Software shall be either, at Trimble's option, (a) repair or replacement of the Software, or (b) return of the license fee paid for any Software that does not meet Trimble's limited warranty. This limited warranty is void if failure of the Software has resulted from (1) accident, misuse, abuse, or misapplication; (2) alteration or modification of the Software without Trimble's authorization; (3) interaction with software or hardware not supplied or supported by Trimble; (4) your improper, inadequate or unauthorized installation, maintenance or storage; or (5) if you violate the terms of this EULA. Any replacement Software will be warranted for the remainder of the original warranty period or thirty (30) days, whichever is longer.

2.4 NO OTHER WARRANTIES. TO THE MAXIMUM EXTENT PERMITTED BY APPLICABLE LAW, TRIMBLE AND ITS SUPPLIERS DISCLAIM ALL OTHER WARRANTIES, TERMS AND CONDITIONS, EITHER EXPRESS OR IMPLIED, BY STATUTE, COMMON LAW OR OTHERWISE, INCLUDING BUT NOT LIMITED TO, IMPLIED WARRANTIES, TERMS AND CONDITIONS OF MERCHANTABILITY AND FITNESS FOR A PARTICULAR PURPOSE, TITLE, AND NON-INFRINGEMENT WITH REGARD TO THE SOFTWARE, ITS SATISFACTORY QUALITY AND THE PROVISION OF OR FAILURE TO PROVIDE SUPPORT SERVICES. TO THE EXTENT ALLOWED BY APPLICABLE LAW, IMPLIED WARRANTIES, TERMS AND CONDITIONS ON THE SOFTWARE ARE LIMITED TO NINETY (90) DAYS. YOU MAY HAVE OTHER LEGAL RIGHTS WHICH VARY FROM STATE/JURISDICTION TO STATE/JURISDICTION.

NO WARRANTIES FOR THE MICROSOFT SOFTWARE. THE MICROSOFT SOFTWARE is provided "AS IS" and with all faults, AND TRIMBLE PROVIDES NO WARRANTY WITH RESPECT THERETO. THE ENTIRE RISK AS TO SATISFACTORY QUALITY, PERFORMANCE, ACCURACY AND EFFORT (INCLUDING LACK OF NEGLIGENCE) FOR THE MICROSOFT SOFTWARE IS WITH YOU. ALSO, THERE IS NO WARRANTY AGAINST INTERFERENCE WITH YOUR ENJOYMENT OF THE MICROSOFT SOFTWARE OR AGAINST INFRINGEMENT.

2.5 PLEASE NOTE: THE FOREGOING TRIMBLE LIMITED WARRANTY PROVISIONS MAY NOT APPLY TO SOFTWARE PRODUCT LICENSES PURCHASED IN THOSE JURISDICTIONS (SUCH AS COUNTRIES OF THE EUROPEAN UNION) IN WHICH PRODUCT WARRANTIES ARE OBTAINED FROM THE LOCAL DISTRIBUTOR. IN SUCH CASES, PLEASE CONTACT YOUR TRIMBLE DEALER FOR APPLICABLE WARRANTY INFORMATION.

3 TRIMBLE LIMITATION OF LIABILITY

3.1 LIMITATION OF LIABILITY. TO THE MAXIMUM EXTENT PERMITTED BY APPLICABLE LAW, IN NO EVENT SHALL TRIMBLE OR ITS SUPPLIERS BE LIABLE FOR ANY SPECIAL, INCIDENTAL, INDIRECT, CONSEQUENTIAL OR PUNITIVE DAMAGES HOWEVER CAUSED AND REGARDLESS OF THE THEORY OF LIABILITY (INCLUDING, WITHOUT LIMITATION, DAMAGES FOR LOSS OF BUSINESS PROFITS, BUSINESS INTERRUPTION, LOSS OF BUSINESS INFORMATION, OR ANY OTHER PECUNIARY LOSS) ARISING OUT OF THE USE OR INABILITY TO USE THE SOFTWARE, OR THE PROVISION OF OR FAILURE TO PROVIDE SUPPORT SERVICES, EVEN IF TRIMBLE HAS BEEN ADVISED OF THE POSSIBILITY OF SUCH DAMAGES AND NOTWITHSTANDING ANY FAILURE OF ESSENTIAL PURPOSE OF ANY EXCLUSIVE REMEDY PROVIDED IN THIS EULA.

IN NO EVENT SHALL THE TOTAL CUMULATIVE LIABILITY OF TRIMBLE AND ITS SUPPLIERS IN CONNECTION WITH THIS EULA OR THE SOFTWARE, WHETHER BASED ON CONTRACT, WARRANTY, TORT (INCLUDING NEGLIGENCE), STRICT LIABILITY OR OTHERWISE, EXCEED THE ACTUAL AMOUNT PAID TO TRIMBLE FOR THE SOFTWARE LICENSE GIVING RISE TO THE CLAIM. BECAUSE SOME STATES AND JURISDICTIONS DO NOT ALLOW THE EXCLUSION OR LIMITATION OF LIABILITY FOR CONSEQUENTIAL OR INCIDENTAL DAMAGES, THE ABOVE LIMITATION MAY NOT APPLY TO YOU.

4 GENERAL

4.1 This EULA shall be governed by the laws of the State of California and applicable United States Federal law without reference to "conflict of laws" principles or provisions. The United Nations Convention on Contracts for the International Sale of Goods will not apply to this EULA. Jurisdiction and venue of any dispute or court action arising from or related to this EULA or the Software shall lie exclusively in or be transferred to the courts of the County of Santa Clara, California, and/or the United States District Court for the Northern District of California. You hereby consent and agree not to contest, such jurisdiction, venue and governing law.

4.2 Section 4.1 notwithstanding, if you acquired this product in Canada, this EULA is governed by the laws of the Province of Ontario, Canada. In such case each of the parties to this EULA irrevocably attorns to the jurisdiction of the courts of the Province of Ontario and further agrees to commence any litigation that may arise under this EULA in the courts located in the Judicial District of York, Province of Ontario. If you acquired this product in the European Union, this EULA is governed by the laws of The Netherlands, excluding its rules governing conflicts of laws and excluding the United Nations Convention on the International Sale of Goods. In such case each of the parties to this EULA irrevocably attorns to the jurisdiction of the courts of The Netherlands and further agrees to commence any litigation that may arise under this EULA in the courts of The Hague, The Netherlands.

4.3 Trimble reserves all rights not expressly granted by this EULA.

4.4 Official Language. The official language of this EULA and of any documents relating thereto is English. For purposes of interpretation, or in the event of a conflict between English and versions of this EULA or related documents in any other language, the English language version shall be controlling.

Copyright and Trademarks

© 2015, Trimble Navigation Limited. All rights reserved.

Trimble, and the Globe & Triangle logo, are trademarks of Trimble Navigation Limited, registered in the United States and in other countries. are trademarks of Trimble Navigation Limited.

Microsoft and Windows are either registered trademarks or trademarks of Microsoft Corporation in the United States and/or other countries. The Bluetooth word mark and logos are owned by the Bluetooth SIG, Inc. and any use of such marks by Trimble Navigation Limited is under license. All other trademarks are the property of their respective owners.

This is the August 2015 release (Revision A) of the Trimble Kenai Tablet Computer User Guide.