

承認書

Product Specification

客戶名稱：Unitech Electronics Co., Ltd
CUSTOMER

適用機種：Baldr
APPLICATION

廠 商：Ethertronics Inc.
SUPPLIER

客戶料號：204243G
PART NUMBER

Ethertronics 料號：5000757
PART NUMBER

承認日期：May , 2012
APPROVAL DATE

提供者簽章：Mandy Chen
PROVIDER BY

審核者簽章：Jecy Chou
REVIEW BY

承認人簽章：Kevin Wang
APPROVE BY



美商伊索泰克電子有限公司臺灣分公司
115 臺北市南港區園區街3號二樓之七(南港軟體工業園區G棟)
Ethertronics Inc.
(Building G) 2F-7, No. 3, Yuanqu St., Nangang District,
Taipei City 115, Taiwan (R.O.C)
Tel: 886-2-2655-7966 Fax: 886-2-2655-7967

聯絡人：王秦華
Kevin Wang
分 機：217



Table of Contents

- 1 [Propose and Scope](#)
- 2 [Abbreviation and Definition](#)
- 3 [Electrical Specification for](#)
 - 3.1 [Frequency Band](#)
 - 3.2 [Electrical Characteristics](#)
 - 3.2.1 [VSWR](#)
 - 3.2.2 [S11](#)
 - 3.2.3 [Passive Measurement](#)
 - 3.3 [Matching Requirements](#)
- 4 [Drawing and Materials](#)
 - 4.1 [Drawing of Internal Antenna](#)
 - 4.2 [Part List](#)
- 5 [ROHS](#)

Confidentiality Statement

All the information contained in this document is commercially confidential and must not be copied or
Disclosed without the written consent of Ethertronics, Inc. Copyright © Ethertronics

Revision History

Rev. A	Initial Product Specification.
--------	--------------------------------

Confidentiality Statement

All the information contained in this document is commercially confidential and must not be copied or
Disclosed without the written consent of Ethertronics, Inc. Copyright © Ethertronics

1. Purpose and Scope

The purpose of this document is to establish a design specification for the antenna product that Ethertronics is developing for the wireless AP. Any changes or additions to this specification can affect schedule, cost or the product and should be negotiated between Ethertronics and Unitech before being incorporated into the specification. Upon agreement of this specification, Ethertronics will make no changes without the written approval from Unitech. Any changes requested by Unitech will be given to Ethertronics with sufficient time to evaluate the cost impact and reach as required.

2. Abbreviations and Definitions

AVG	Average
°	Degree
°C	Celsius (degrees Centigrade)
cm	Centimeter
G	Gravitational Force
g	Grams
Hz	Hertz
In	Inches
IQC	Incoming Quality Control
MHz	Megahertz
m	Meter
mm	Millimeter
N	Newton
PCB	Printed Circuit Board
TX	Transmit Band
RH	Relative Humidity
RX	Receive Band
VSWR	Voltage Standing Wave Ratio
W	Watt

Confidentiality Statement

All the information contained in this document is commercially confidential and must not be copied or
Disclosed without the written consent of Ethertronics, Inc. Copyright © Ethertronics

3. Electrical Specification For

3.1 Frequency Band

Mode	Frequency Band (MHz)
Wi-Fi Main	2400-2500

3.2 Electrical Characteristics

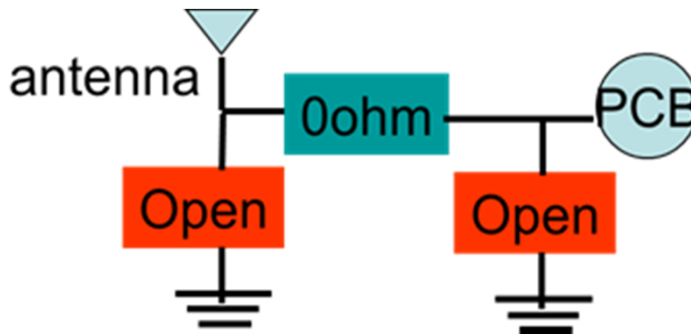
3.2.1 VSWR

3.2.2 S11

3.2.3 Passive Measurement

Please refer to the next few pages.

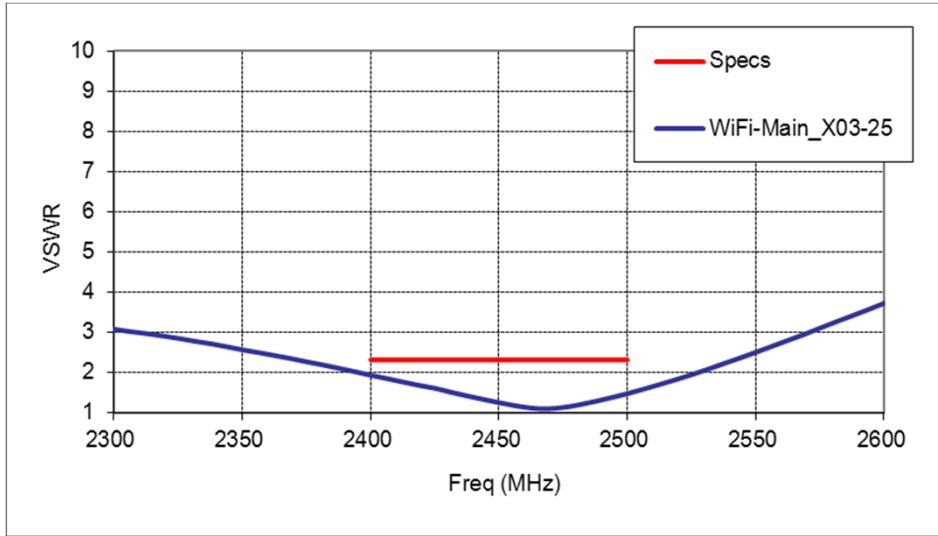
3.3 Matching Requirements



Confidentiality Statement

All the information contained in this document is commercially confidential and must not be copied or Disclosed without the written consent of Ethertronics, Inc. Copyright © Ethertronics

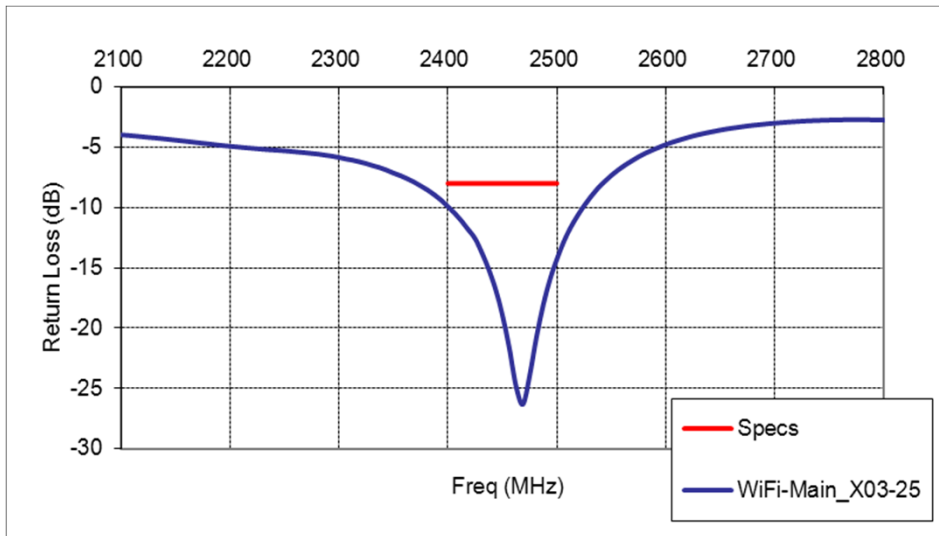
3.2.1 VSWR



Confidentiality Statement

All the information contained in this document is commercially confidential and must not be copied or Disclosed without the written consent of Ethertronics, Inc. Copyright © Ethertronics

3.2.2 S11



Confidentiality Statement

All the information contained in this document is commercially confidential and must not be copied or Disclosed without the written consent of Ethertronics, Inc. Copyright © Ethertronics

3.2.3 Passive Measurement
Free space

Baldr	Wi-Fi Main		
Antenna	X03-25		
Frequency	Efficiency(%)	Efficiency(dB)	Peak Gain(dBi)
2400	35.9	-4.5 dB	2.1 dBi
2410	39.6	-4.0 dB	2.5 dBi
2420	38.7	-4.1 dB	2.2 dBi
2430	36.7	-4.4 dB	2.0 dBi
2440	43.7	-3.6 dB	2.8 dBi
2450	42.9	-3.7 dB	2.8 dBi
2460	44.3	-3.5 dB	2.9 dBi
2470	43.2	-3.6 dB	2.8 dBi
2480	41.7	-3.8 dB	2.7 dBi
2490	37.4	-4.3 dB	2.5 dBi
2500	33.9	-4.7 dB	2.3 dBi

Confidentiality Statement

All the information contained in this document is commercially confidential and must not be copied or Disclosed without the written consent of Ethertronics, Inc. Copyright © Ethertronics

4. Drawing and Materials

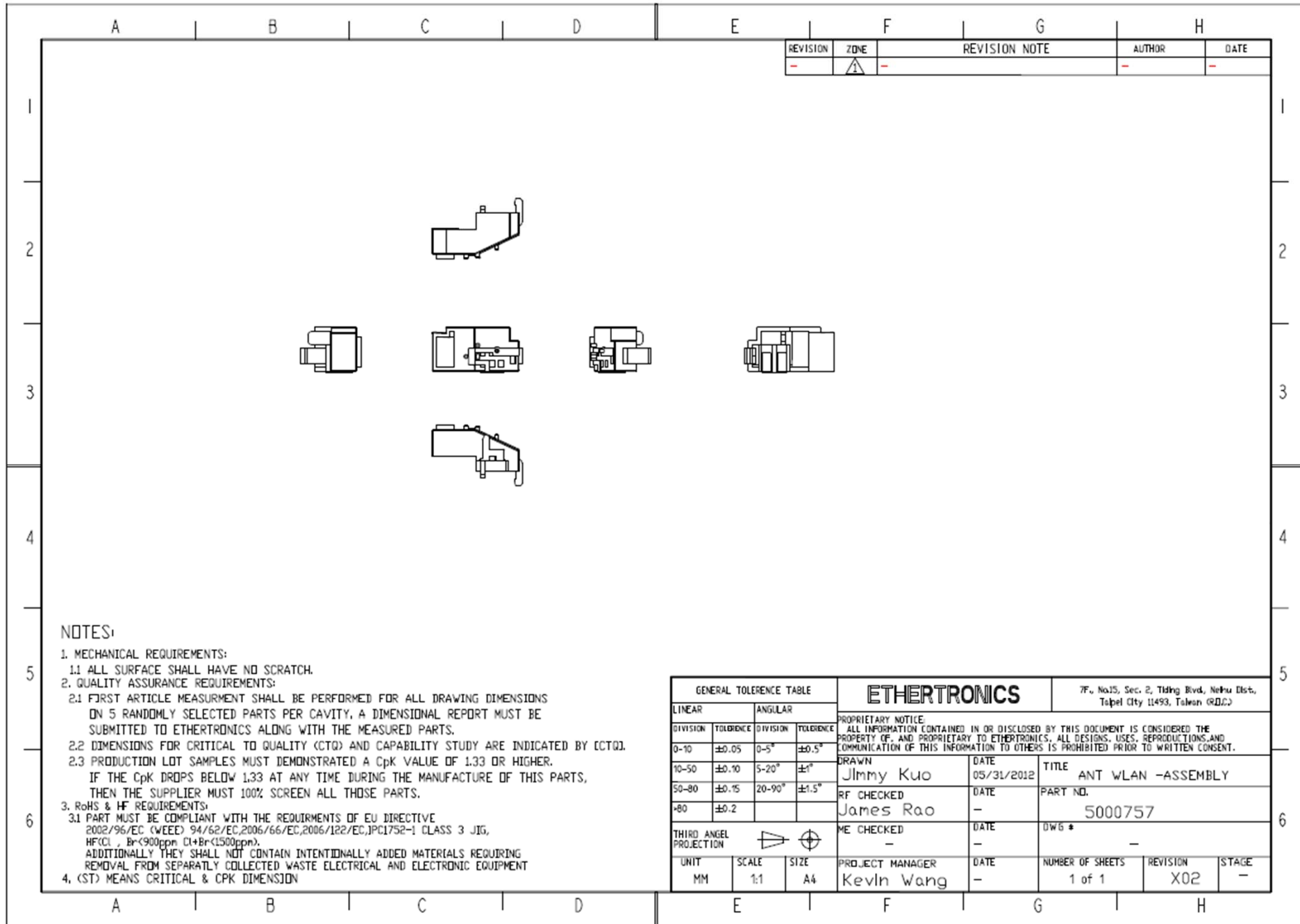
4.1 Drawing of Internal Antenna

Please refer to the next page.

4.2 Part List

Part Name	Material	ET P/N	Type	Finish	Q'ty
ANTENNA ASSEMBLY P/N: 5000757	Carrier	5000758	Black	Ethertronics	1
	Metal	5000759			

4.1 Drawing of Internal Antenna





Product Specification
Part Number : 5000757

5. ROHS

Please refer to the ROHS reports.

Confidentiality Statement

All the information contained in this document is commercially confidential and must not be copied or
Disclosed without the written consent of Ethertronics, Inc. Copyright © Ethertronics