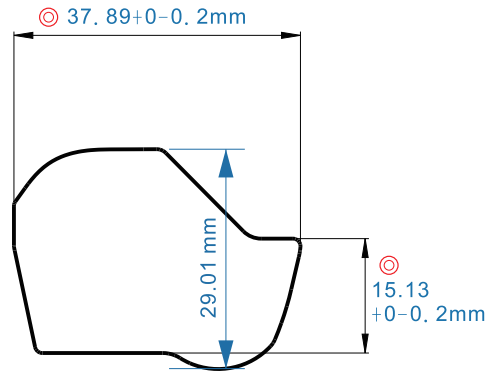


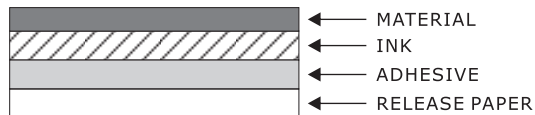
REV.	LTR	DATE	UPDATE	DESCRIPTION	REMARK	SIGN	APPROVER
△							

NOTES:

1. Material: PC 8B35(t-0.127mm)
2. Adhesive: 3M467 (t-0.05mm)
3. Coating: N/A
4. Background Color:BLACK
5. Text Color:WHITE



MATERIAL STRUCTURE



REMARK

1. ◎ SYMBOL MEANS IMPORTANT SIZE.
2. □ SYMBOL MEANS IMPORTANT ITEM.
3. ▲ SYMBOL MEANS ILLUSTRATE.
4. THIS PART SHOULD NOT CONTAIN ANY SUBSTANCES WHICH ARE SPECIFIED IN SPT-00001 OR SPT-00002 (WHEN SPECIFIED FOR HALOGEN FREE/ LOW HALOGEN), ISSUED BY PEGATRON.
5. - CUT LINE.

DATE



RevF

UNIT	SIZE
MM	A 4
SCALE 1:1	
SELECT	v v
BIM (mm)	TOL. A B
~50 ±	0.5 1.0
51~100 ±	1.0 2.0
101~150 ±	2.0 3.0
151~ ±	2.0 3.0

PEGATRON Corporation	
DESCRIPTION	
RATING LABEL GB7 CYMMETRIK/NEW WLAN/BT LEFT	
MODEL NO. Gb7	DRAWING NO. 1510-379E000
DESIGNED Emma Tang	CHECKED APPROVED