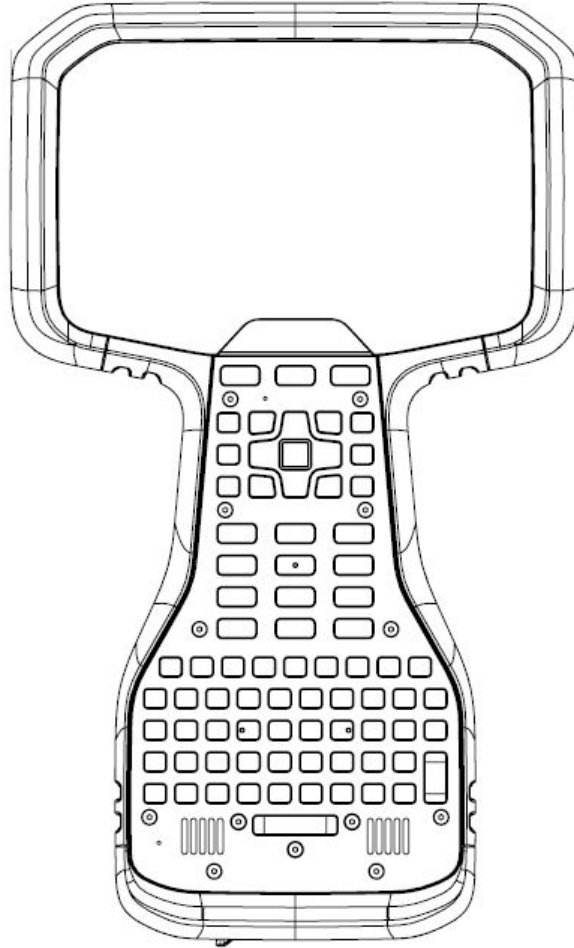




Trimble TSC5

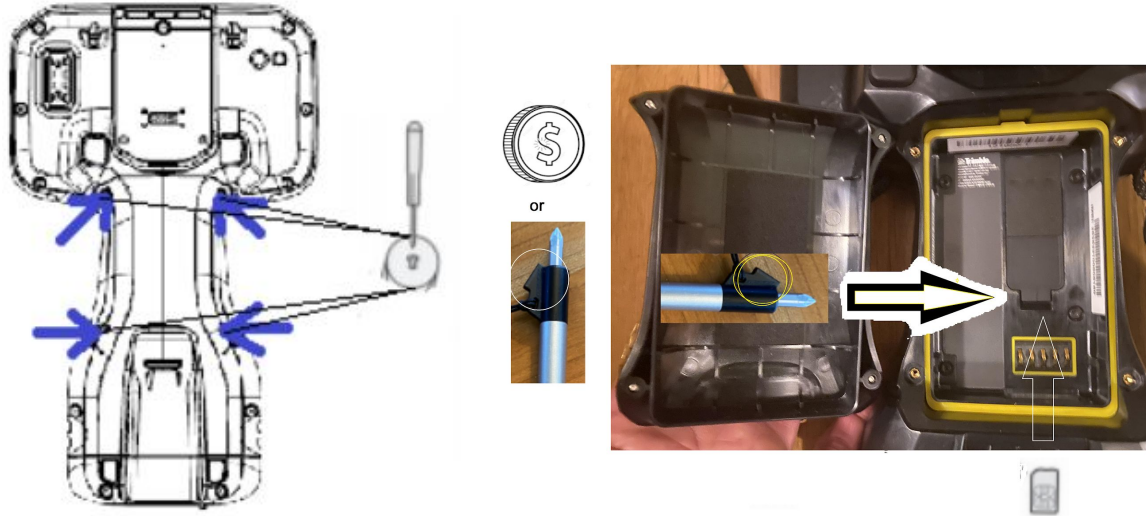
CONTROLLER



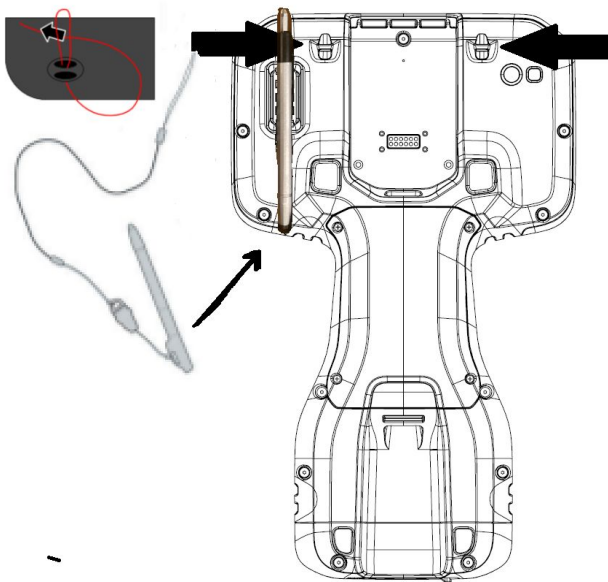
CAUTION – Please read the full user guide including all safety warnings, before operating this product.



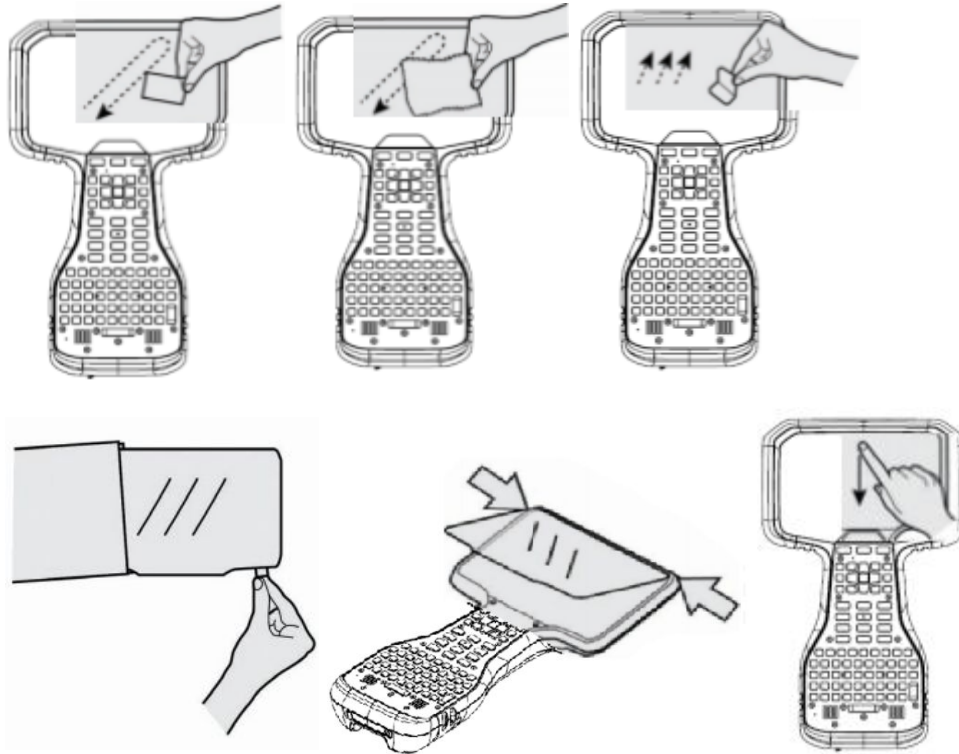
1 INSTALL OPTIONAL MICROSIM CARD



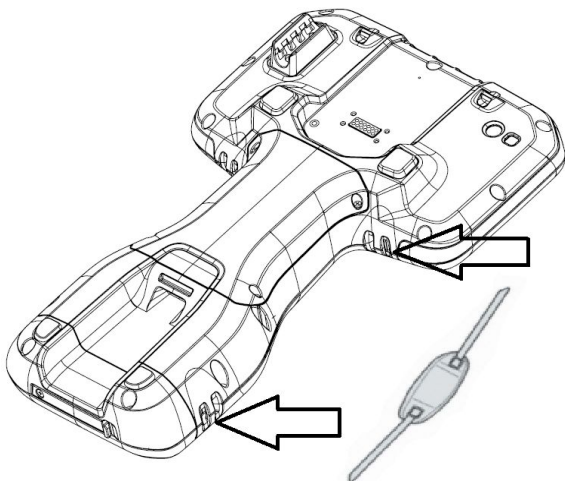
2 TETHER STYLUS (LEFT OR RIGHT), STORE IN STYLUS HOLDER



3 Install the Screen Protector



4 Attach Hand Strap (Left or Right)



5 CHARGE BATTERY



6 TURN ON & SETUP



Trimble Inc.
10368 Westmoor Drive
Westminster, CO 80021
USA
www.trimble.com

Trimble Germany
Am Prime Parc 11
65479 Raunheim
Germany

Revision 01 P/N 121931-01 (May 2020)

© 2020, Trimble Inc. All rights reserved. Trimble, the Globe & Triangle logo, and Ranger are trademarks of Trimble Inc., registered in the United States and in other countries. Microsoft and Windows are either registered trademarks or trademarks of Microsoft Corporation in the United States and/or other countries. All other trademarks are the property of their respective owners.