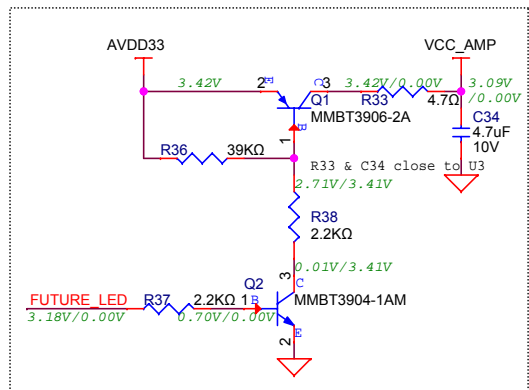
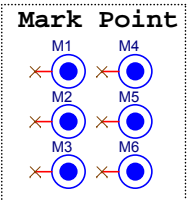
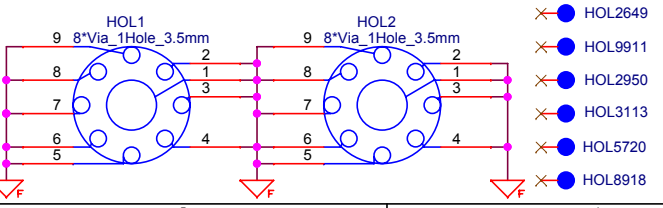
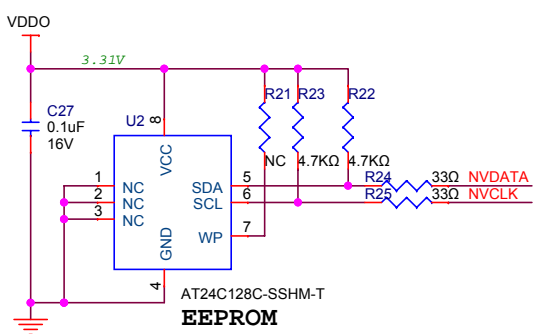
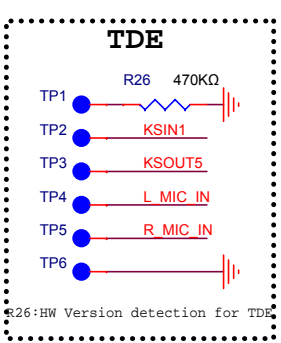



Items	LEDs	PIN47 Output Drive Blue	PIN8 Output Drive Red
Idle	Blue LED off Red LED off	Low/0.0V	Low/0.0V
In-call	Blue LED on Red LED off	High/3.18V	Low/0.0V
Mute	Blue LED off Red LED on	Low/0.0V	High/3.26V
Suspend	Blue LED off Red LED off	Low/0.0V	Low/0.0V





**Xiamen Intretech Inc**

/Document Name: Beehive		
/Document Number: INTRE-9-XXXX-DLXX		
/Dept: /EE-R&D	/REV: v0.4	
/drawn by: /Dawlen Choi	/REV: PA2.1	
/checked by:	/Date: 2013-03-01	
/Approved by:		