

8

7

6

5

4

3

2

1

NOTES: (SEE SHT 1 UNLESS OTHERWISE NOTED)

REV.	ZONE	ECO NO.	REVISIONS-DESCRIPTION	DRFT	APPROVED	DATE
			SEE SHEET 1			

D

D

C

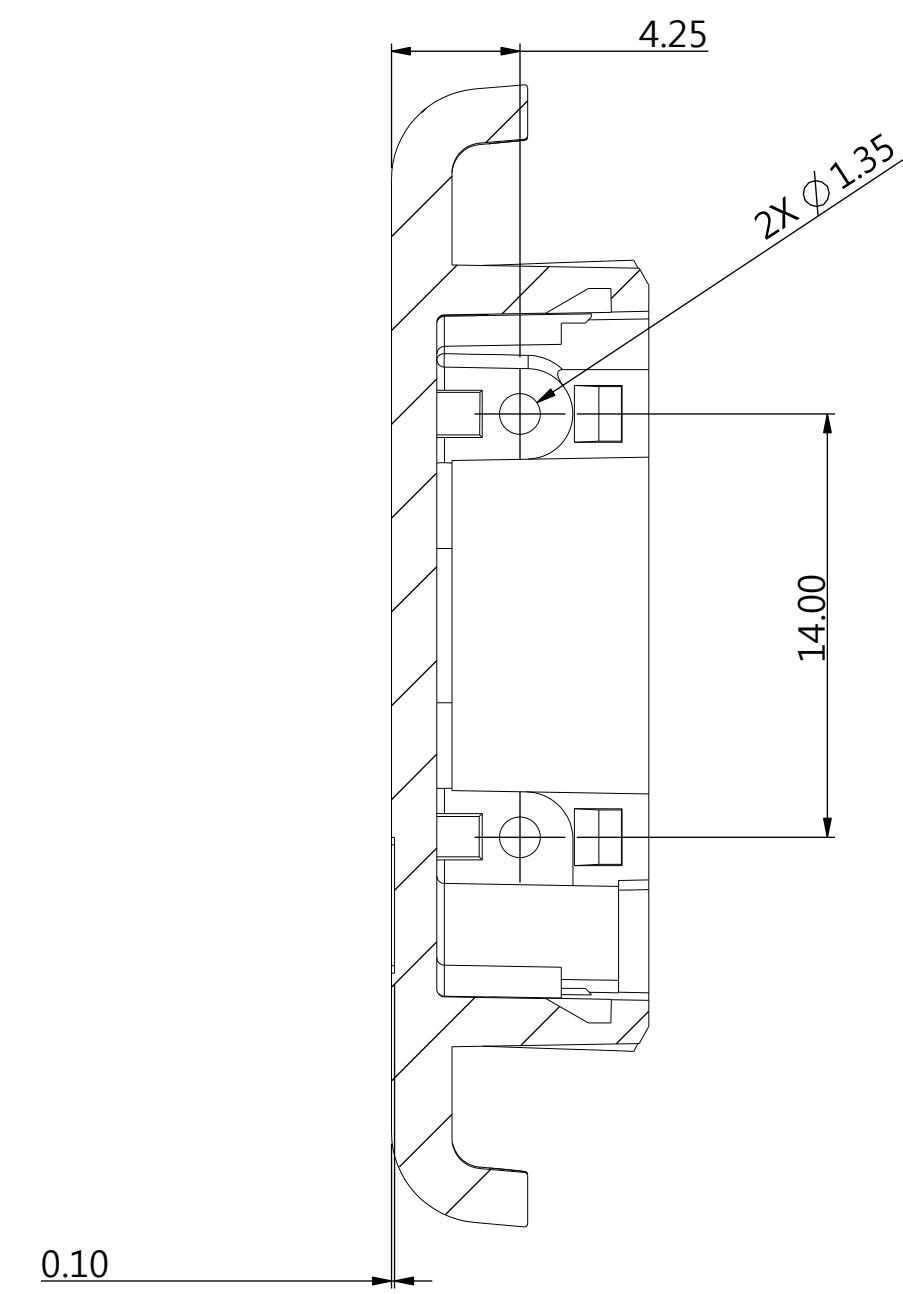
C

B

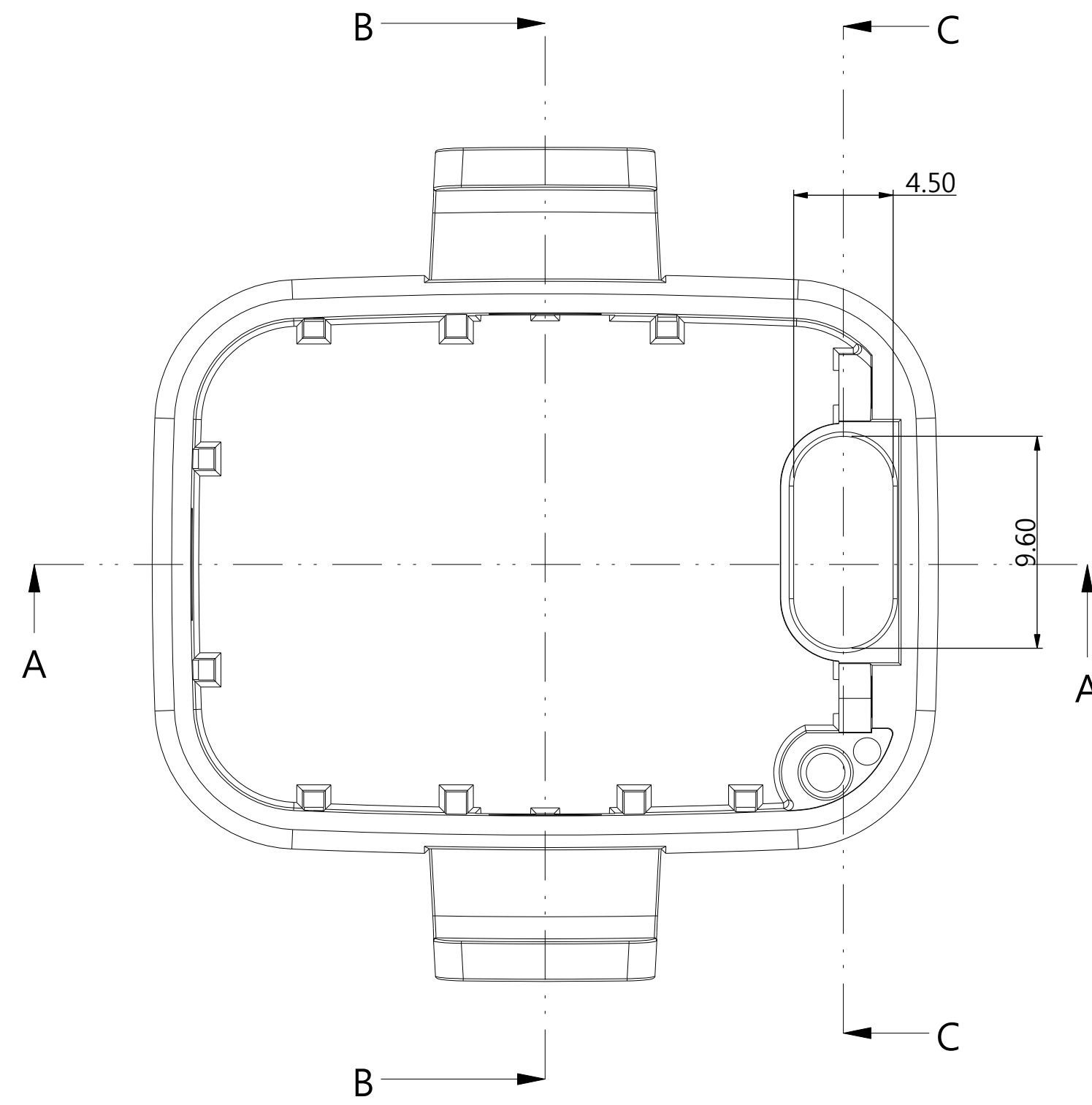
B

A

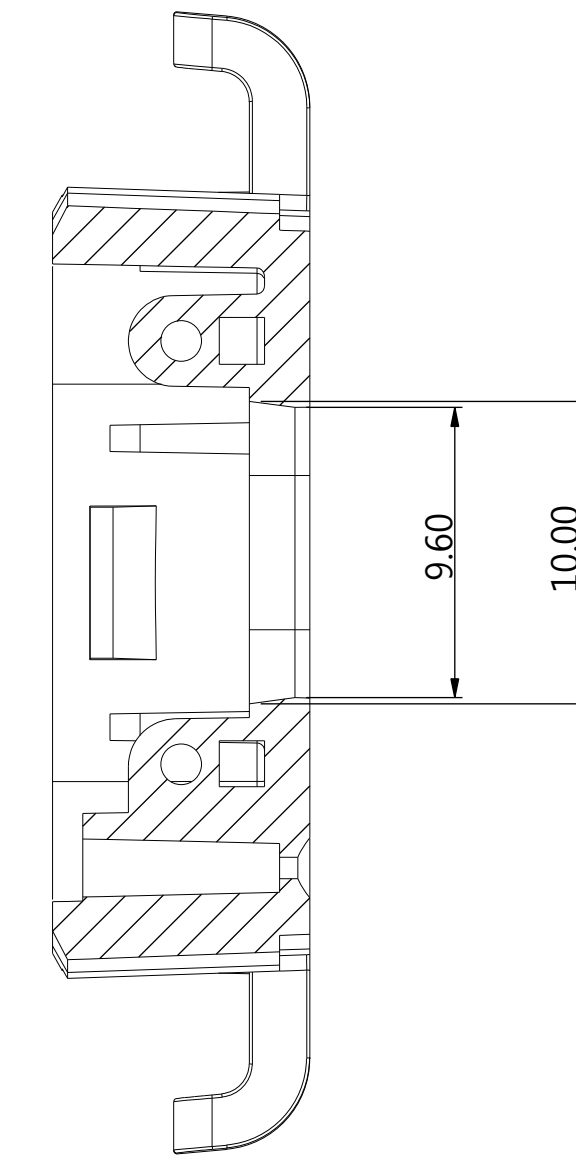
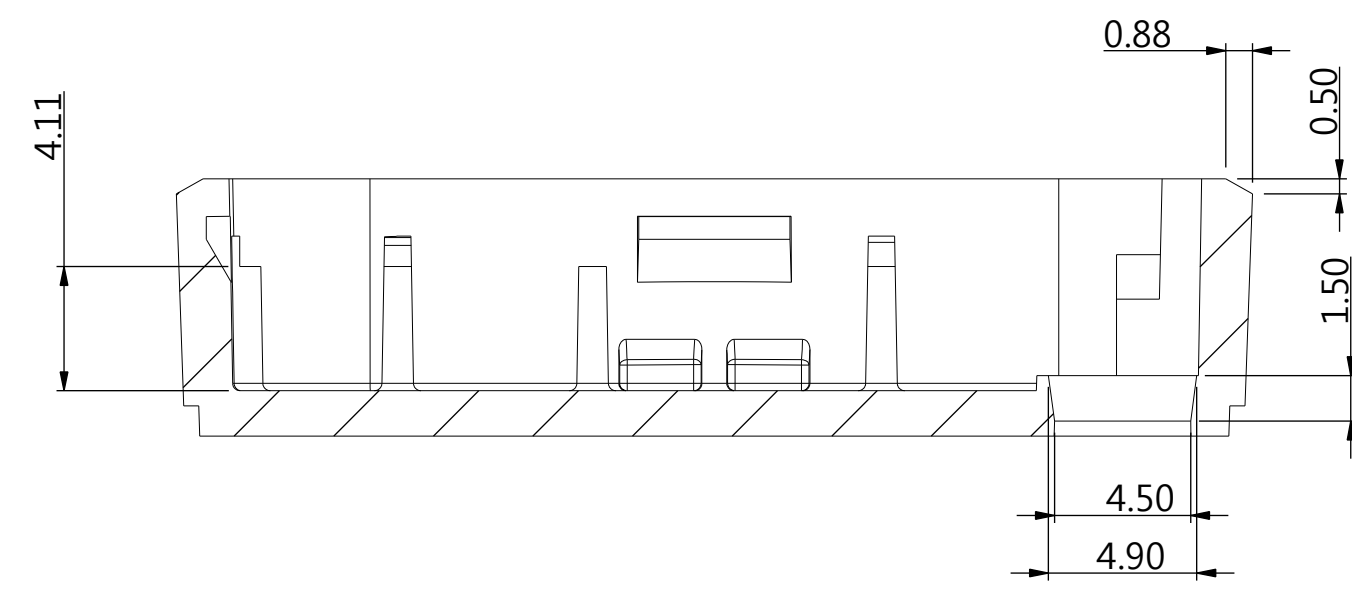
A



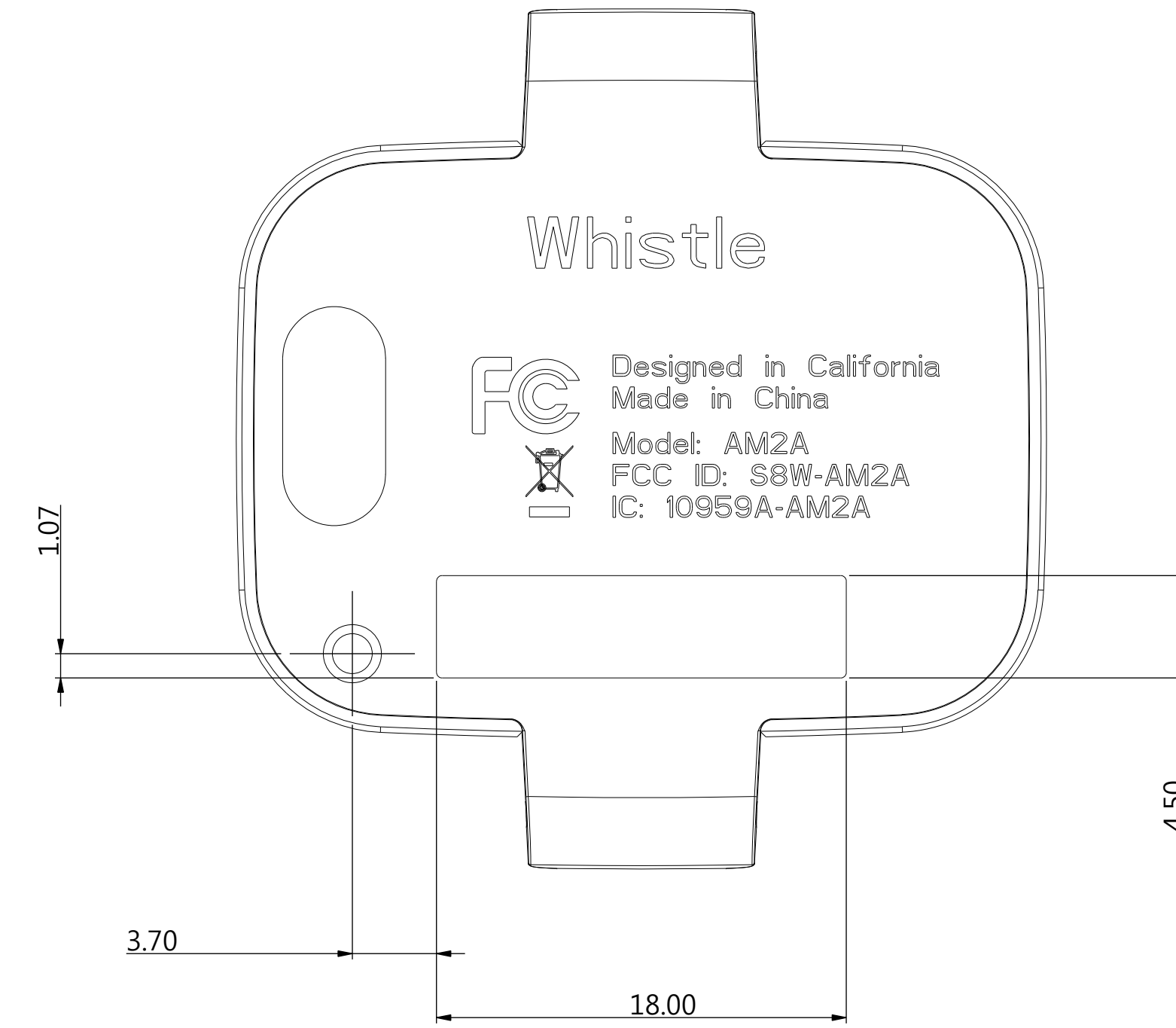
SECTION B-B



SECTION A-A



SECTION C-C



WHISTLE LAB CONFIDENTIAL
 THIS DOCUMENT CONTAINS CONFIDENTIAL
 AND PROPRIETARY INFORMATION, AND EXCEPT
 WITH WRITTEN PERMISSION OF WHISTLE LAB
 SUCH INFORMATION SHALL NOT
 BE PUBLISHED OR DISCLOSED TO OTHERS OR
 USED FOR ANY PURPOSE OTHER THAN ON
 BEHALF OF WHISTLE LAB. THIS
 DOCUMENT SHALL NOT BE COPIED IN WHOLE
 OR IN PART, INCLUDING ELECTRONICALLY.

Whistle	
TITLE WAM2 BOTTOM COVER	
D 112-00625-00	REV 13
SHEET 2 OF 2	

8

7

6

5

4

3

2

1