

## C2PC letter

We the undersigned hereby confirm that these models are identical, and all models have the same RF module and antenna, schematics and component.

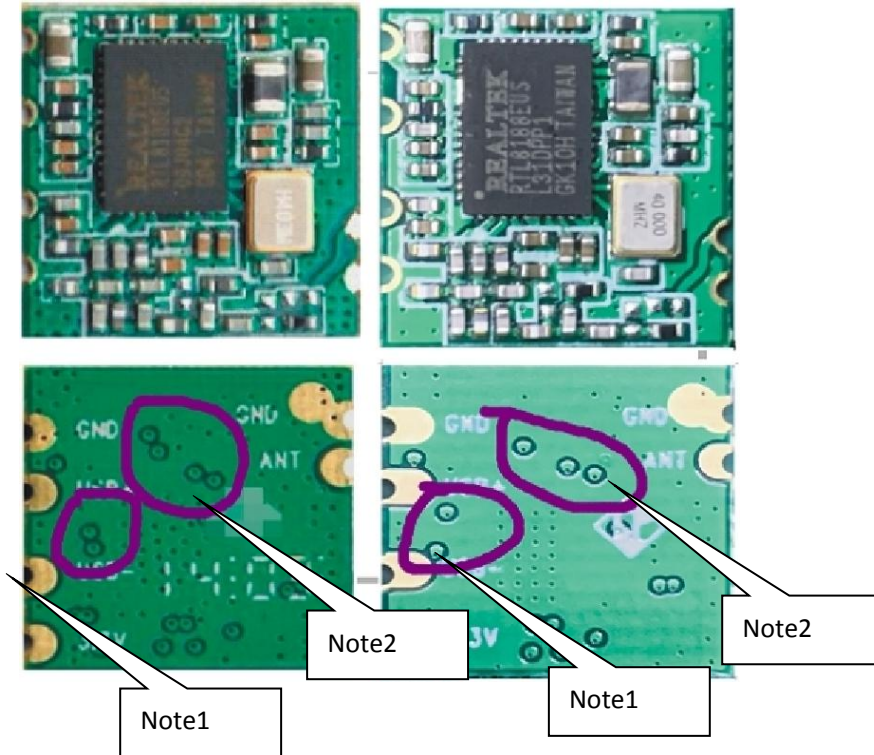
Only different PCB layout ,

<b>FCC ID</b>	<b>S8J-R8188EU1F</b>
<b>Trademark</b>	<b>LB-LINK</b>
<b>Model Number</b>	<b>BL-R8188EU1</b>

<b>Summary</b>	<b>Product name</b>	<b>original REL certification listing date</b>	<b>Report number</b>
<b>Original product</b>	<b>AZZ KILLERG WIRELESS EAR PODS 22</b>	<b>January 08, 2016</b>	<b>ED151228036E</b>
<b>PCB module optimization, contact has changed slightly</b>	<b>AZZ KILLERG WIRELESS EAR BUDS 22</b>	<b>November 11, 2021</b>	<b>EDG2110140144E00101R</b>

original version

Updated version



**The optimized content**

Overall consistency is more concentrated and belongs to the action of quality improvement

Note1: Increase the distance between two outlet points on the PCB

Note2: The PCB reduces one contact point and increases the distance between the other two exit points

**Confirmed by:**

**Tianle Chen**

2021-11-11