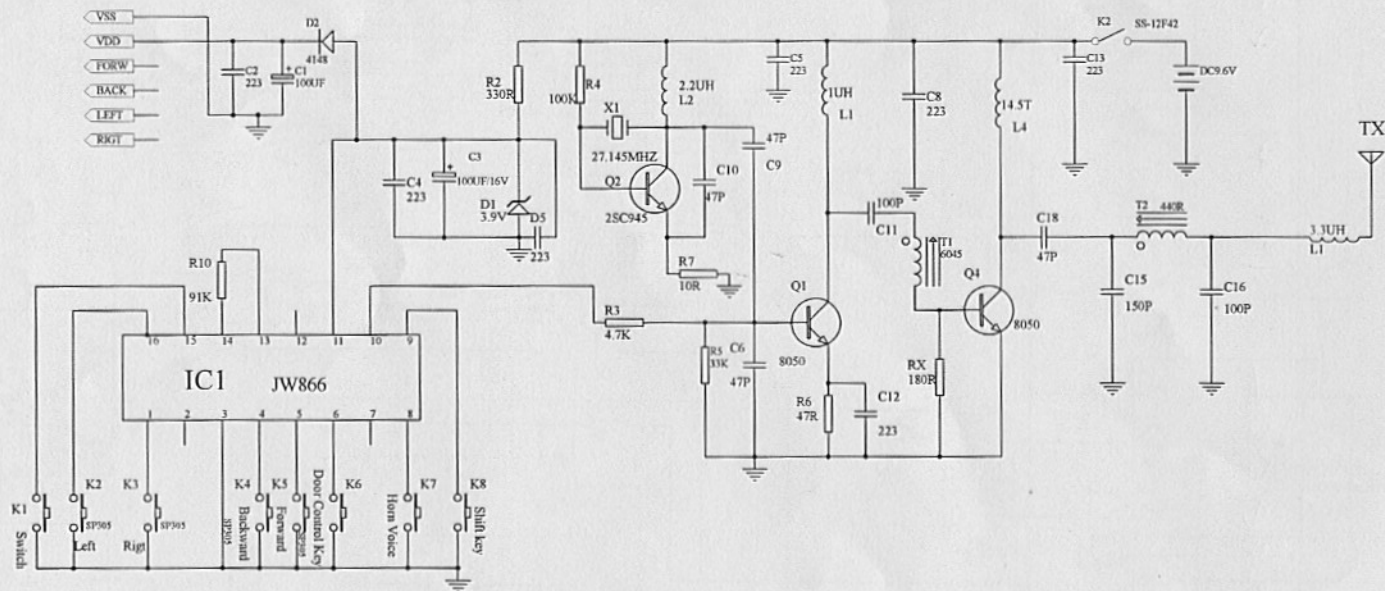


GK-980A(27.145MHZ)



| Title | | |
|----------------------------|---------------------------------|----------|
| JINWEI INDUSTRIAL, CO.,LTD | | |
| Size | Number | Revision |
| B | 866-S99 27MHZ SCHEMATIC DRAWING | 1.0 |
| Date | 3-Mar-2005 | Sheet of |
| File | E:\pcb\原理图\GK-980A\SHDOB | Drawn by |