

Product Diagram Information

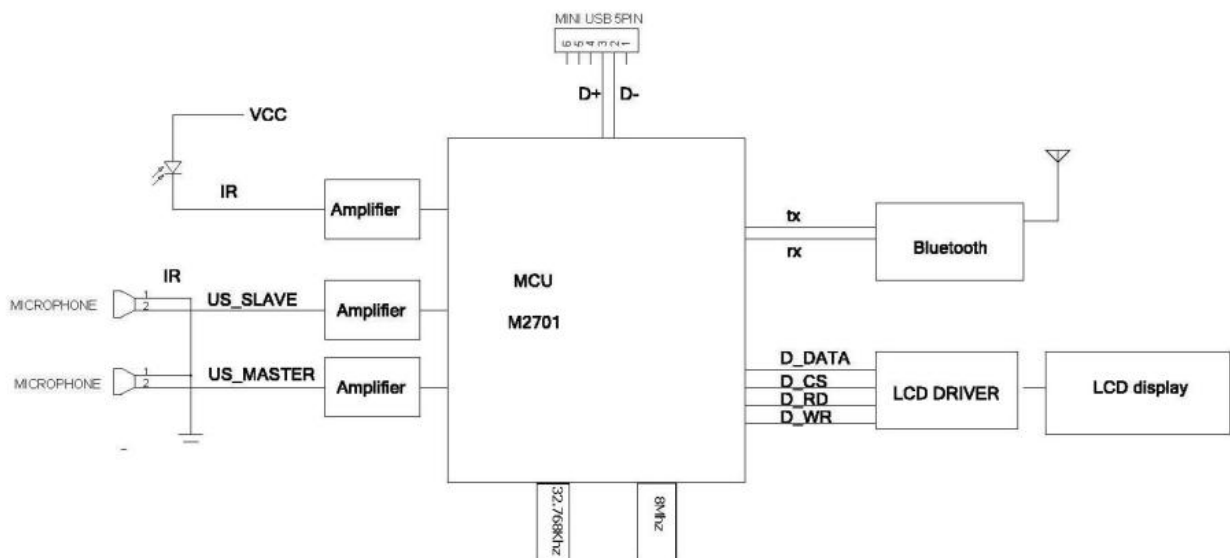
1. Product function introduce

The Mobile Digital Pen can capture any handwritten notes or drawings on a plain paper and store them in its internal flash memory. Captured notes can be uploaded to computer via its USB interface. It really helps when you are away from computer and needs to capture any instant thoughts or important points.

The Mobile Digital Pen consists of a digital pen and a small receiving unit, which combines Ultrasound and Infrared technologies with sophisticated algorithms to enable an accurate tracking and positioning system that tracks the movement of the tip of the pen on any surface and converts the movement into a vector image of the user's handwriting. The digital pen transmits handwritings to the receiver unit for storage.

The following chapters will describe both hardware and software features of the device in details. Read the Quick User Guide before operation. For detail information about the device, please read the included User Manual on the CD provided with the package, so that you are aware of some useful functions that you may not know.

2. Structure



2.1 Description

Your Pen is a unique device that captures notes handwritten on plain paper, and transmits them to the base unit

The Pen Uses patented technology combining Ultrasound and Infrared technologies with sophisticated algorithms to enable an accurate tracking and positioning system that tracks the movement of the tip of the pen on any surface and converts the movement into a vector image of the user's handwriting.

In the mobile mode, you can use your Pocket Pen Tablet to take and store your important notes or drawings at any time and where.

2.2 Power

It can use PC USB Power of 5V*500mA when the system display the battery remain a little of power or exhaust.