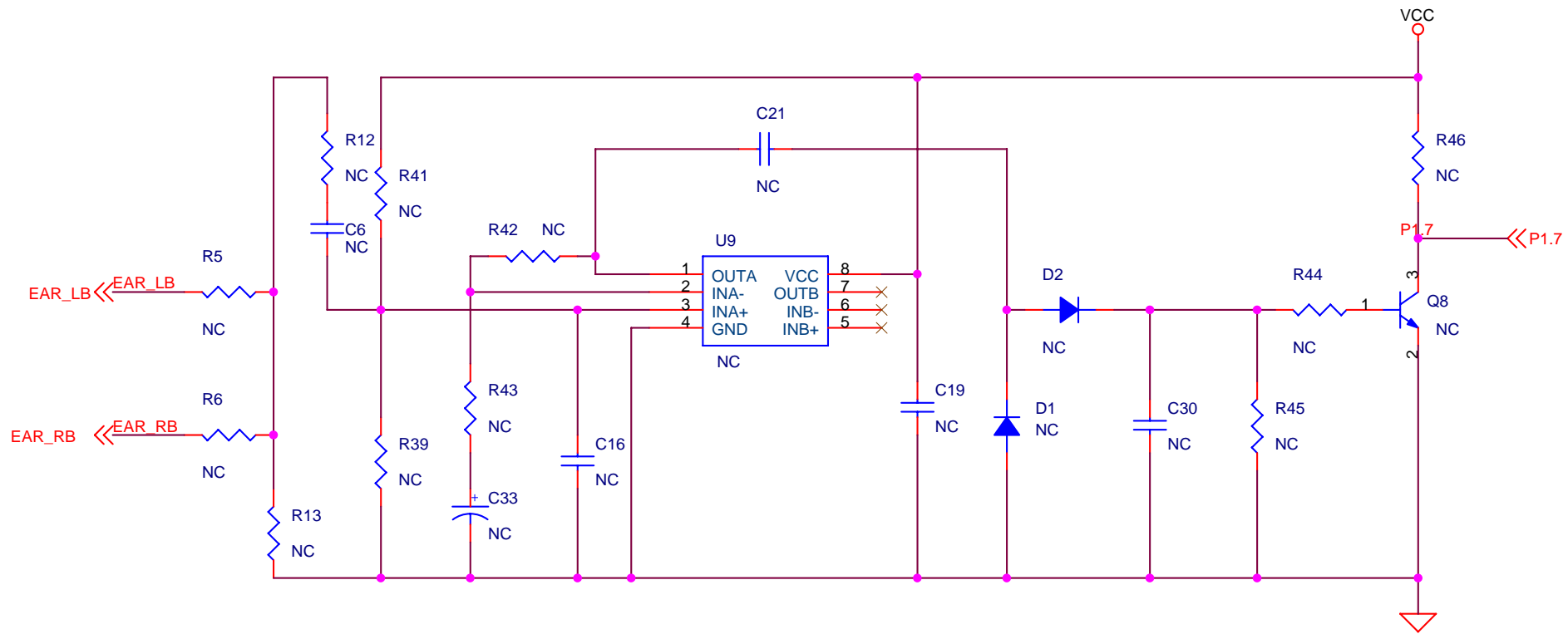


Choose internal or external ROM, VDD external ROM, GND_SIGNAL internal ROM

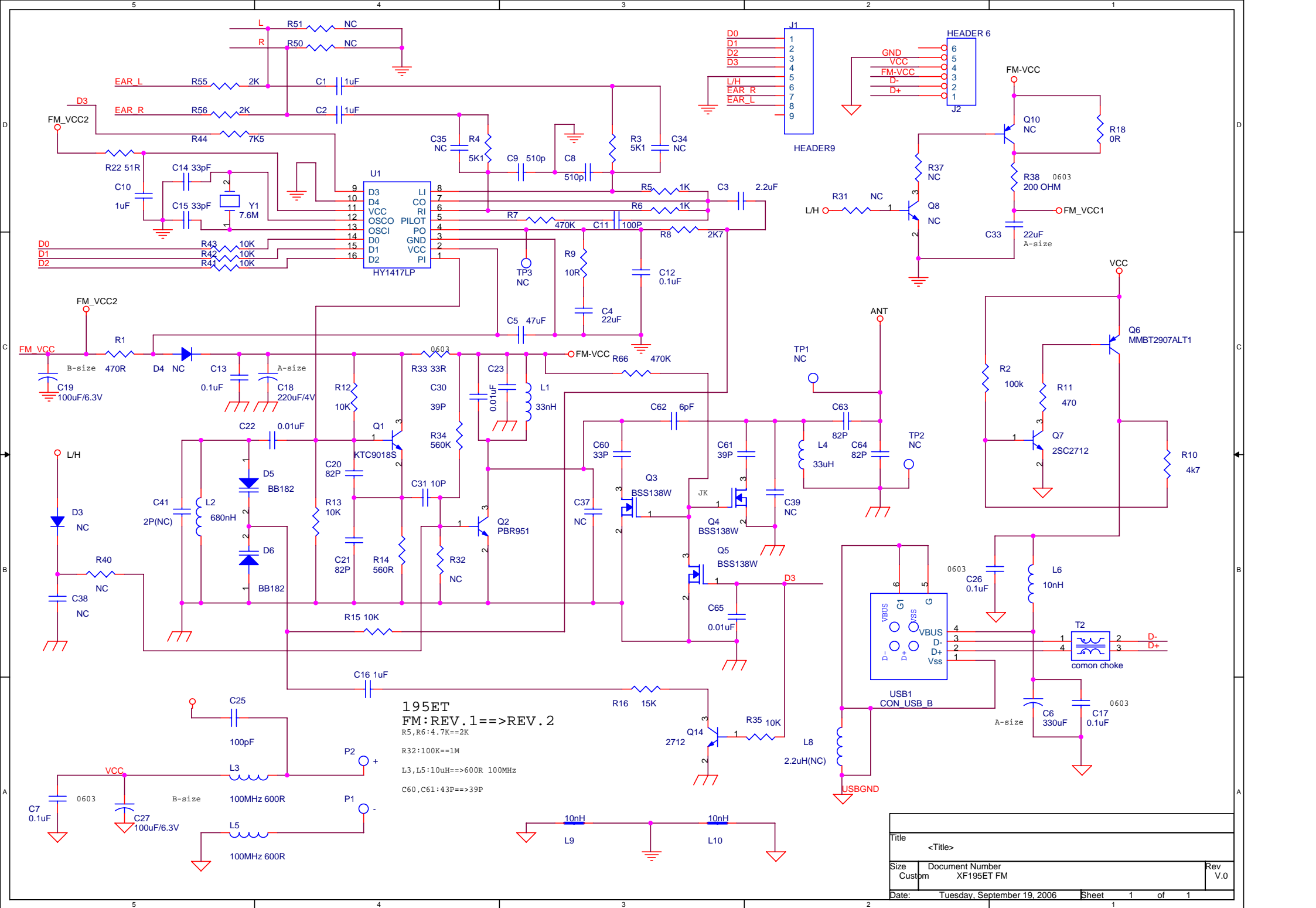
Choose 3.3V or 5V It can be used EEPROM or NOR Flash Speed: 45ns

IOVDD (6,14,19)Limits 2V3-3V6
 CVDD 2V5 (5,7,24,31)Limits 2V4-2V7
 AVDD 2V7 (38,43,45)Limits 2V6-2V85

Title			
<Title>			
Size	Document Number	Rev	
Custom	XF195T	V.1	
Date:	Tuesday, September 26, 2006	Sheet	1 of 1

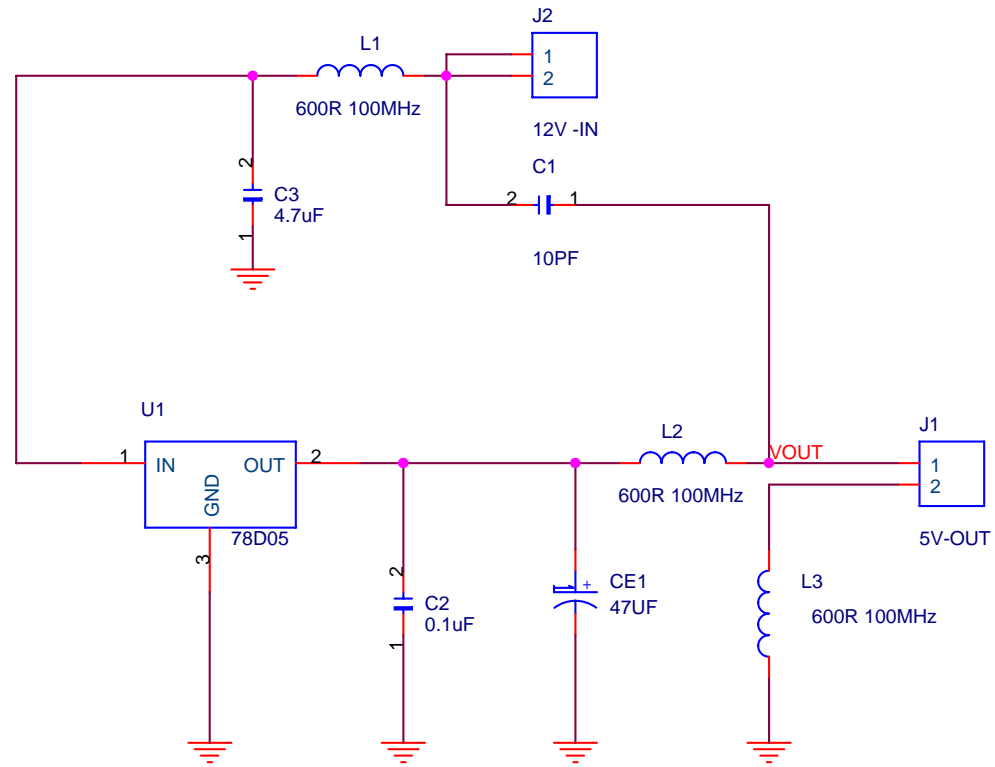


Title		
D358		
Size A	Document Number XF195T	Rev V.1
Date:	Tuesday, September 26, 2006	Sheet 1 of 1



195ET
FM: REV. 1==>REV. 2
 R5, R6: 4.7k==2K
 R32: 100k==1M
 L3, L5: 10uH==>600R 100MHz
 C60, C61: 43P==>39P

Title		
<Title>		
Size	Document Number	Rev
Custom	XF195ET FM	V.0
Date:	Tuesday, September 19, 2006	Sheet 1 of 1



PW:REV.1==>REV.2

L1,L2:10uH==>600R 100MHz

C6:100PF==>10PF

ADD:L3(600R 100MHz)

Title		
<Title>		
Size	Document Number	Rev
A	POWER	V.2
Date:	Tuesday, September 19, 2006	Sheet 1 of 1