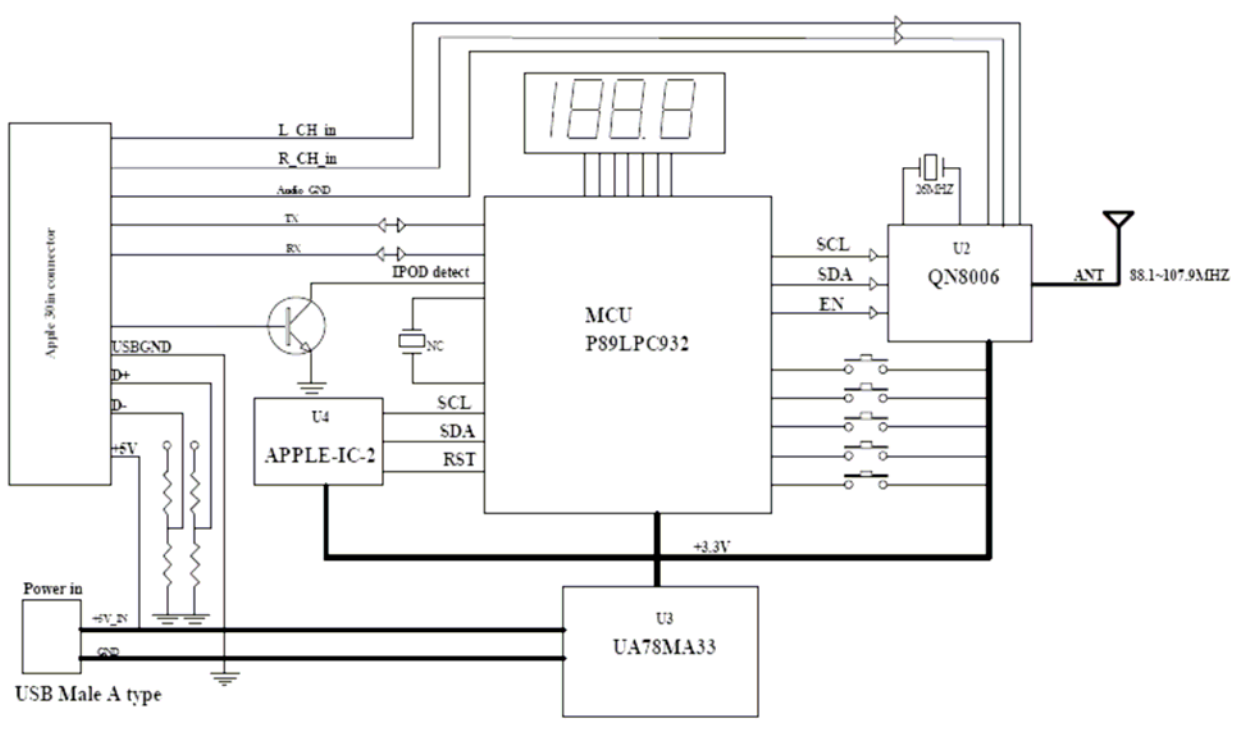


PRODUCT illustrate

1. System introduce

IPP-IFM-11 InCharge FM (FM transmitter) is designed to play the iPod/iPhone on your car, home, or portable stereo. The FM transmitter function automatically turns on when the iPod/iPhone is connected, simultaneity charge the iPod/iPhone. The audio signal from iPod/iPhone was modulated to the carrier signal, then will be sent to space by antenna, It automatically turns off when the iPod/iPhone is removed. Channel with 88.1~107.9MHZ, 0.2MHZ channel stepping for America, 0.1MHZ channel stepping for Europe,

2. Structure



2.1 structure introduce

The system is consist of MCU (P89LPC932), iPod/iPhone communicate processing unit(APPLE-IC-2),LED display and FM unit(QN8006), Car cigar socket power supply(12V step down to 5V).

2.2 Description

When the iPod/iPhone is connected, MCU (P89LPC932) communicates with iPod/iPhone, turns on FM unit, & displays FM frequency on numeric display. Audio signal from iPod/iPhone was processed and controlled via FM unit (QN8006). FM unit QN8006 is a low power stereo FM transmitter, modulate Audio signal (sent from audio processing unit) to RF oscillator, then send to space by one antenna. iPod/iPhone communicate processing unit (APPLE-IC-2). The unit will be operated with the five keys, such as play/pause, M1,M2, channel+, Channel -.

2.3 Power

IPP-IFM-11 InCharge FM (FM transmitter) could get power supply by Auto Power Cord from your car .