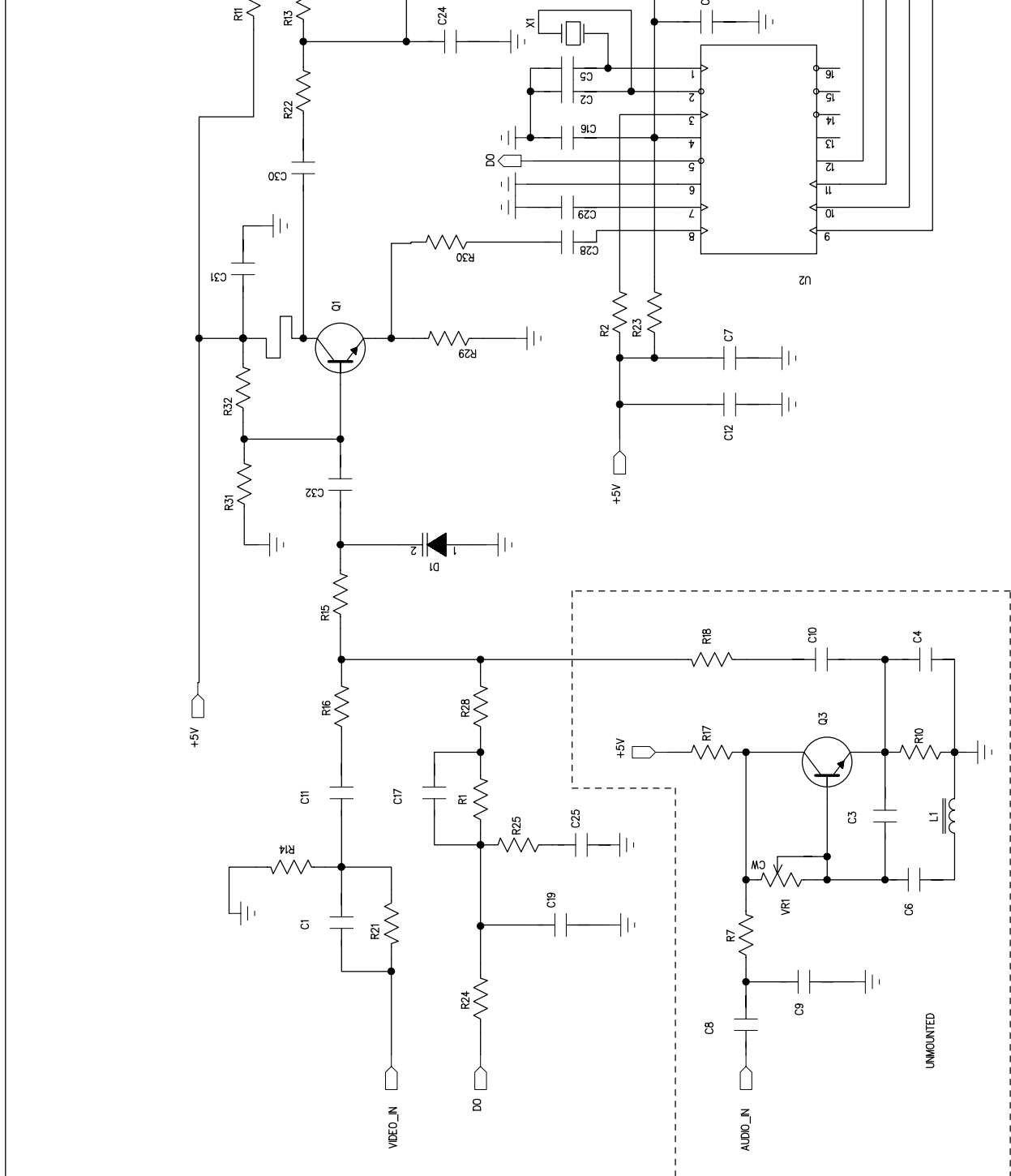


ISSUE	REVISION	DATE	MADE BY	APPROVED BY
A			AY1	



TITLE				
DOC NO.	DEPARTMENT	R&D		
MODEL NO.	ZT-624T-YF01	DRAWN		
CAD REF	ZT-624T-YF01SCH	CHKD		
PAGE	1 of 1	APPD		
AEE ELECTRONICS				

SCHEMATIC DIAGRAM				
DOC NO.	DEPARTMENT	R&D		
MODEL NO.	ZT-624T-YF01	DRAWN		
CAD REF	ZT-624T-YF01SCH	CHKD		
PAGE	1 of 1	APPD		
AEE ELECTRONICS				