

SHENZHEN YIFANG DIGITAL TECHNOLOGY CO., LTD.  
YIFANG Building, No.315, Shuang Ming Avenue, Guang Ming Street, Guang Ming  
District, Shenzhen 518107, Guangdong, China

Declaration concerning Antenna Specification

It is hereby declared that the product

Model No.: M1021AAP, M1021AAP \*, NX16A10132SP, NX16A10132SP \*  
FCC ID: S7JNX16A10132SP

fulfills the requirement in FCC test relating to the antenna type.

The device specified above confirms to the FCC recommendations for internal antenna type(s)  
described below:

Model No. of antenna: N/A  
Type of antenna: Internal Antenna (PCB Antenna)  
Gain of the antenna: Maximum 2.0 dBi  
Frequency range: BT: 2402-2480MHz WiFi: 2412 MHz to 2462 MHz for 802.11b/g/n(HT20) 2422  
MHz to 2452 MHz for 802.11n(HT40)

The mounting of the antenna is fixed to the radio module and no other antenna should be used.

Company name: SHENZHEN YIFANG DIGITAL TECHNOLOGY CO., LTD.  
Address: YIFANG Building, No.315, Shuang Ming Avenue, Guang Ming Street, Guang Ming  
District, Shenzhen 518107, Guangdong, China

City: Shenzhen  
ZIP / Postal code: 518107  
Country: China

Place: China Date: 2018/03/10

Signature: Jiangang Li

# 1:SPECIFICATION

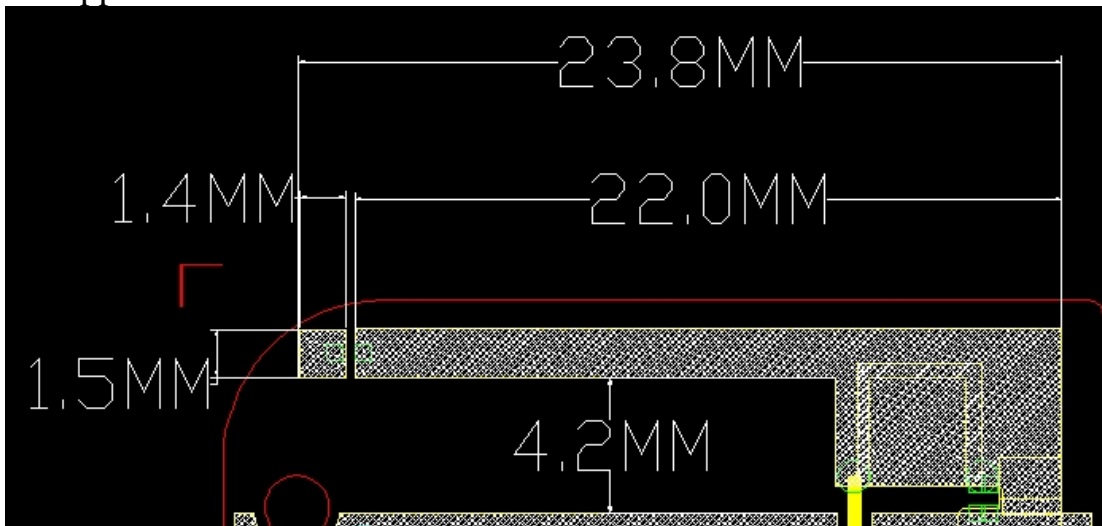
## 1.1 Electrical Specifications

ITEM	SPEC	UNIT
Frequency	2400-2500	MHz
Gain	2.0(Max)	dBi
S.W.R	1.37	
Manufacturer	Shenzhen YIFANG DIGITAL TECHNOLOGIES CO.,LTD	
Antenna type	PCB	
Impedance	50±10	Ω

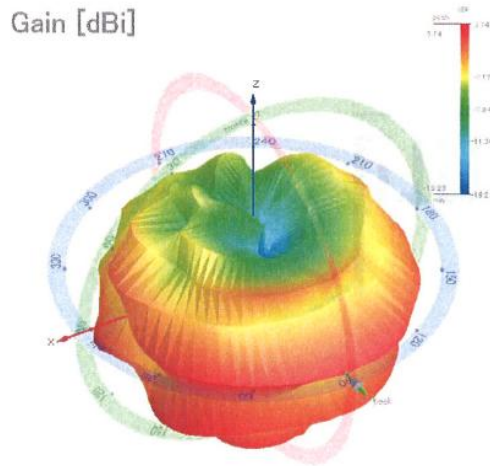
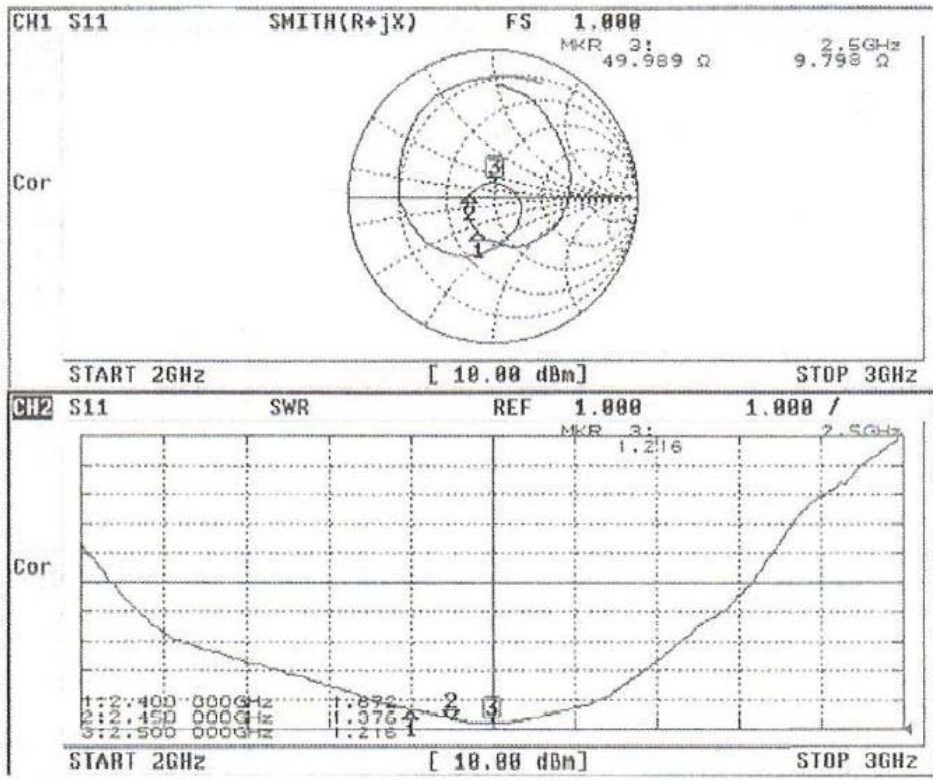
## 1.2 Mechanical Specification

ITEM	SPEC	UNIT
Size	23.8	mm
Radiator material	Brass(Gold coating)	
Operation Temperature	-20—+65	°C

## 1.3 Appearance and Dimensions



## 2:MEASUREMENT



Freq.[MHz]	Gain[dBi]
2400	1.68
2450	1.77
2500	1.97