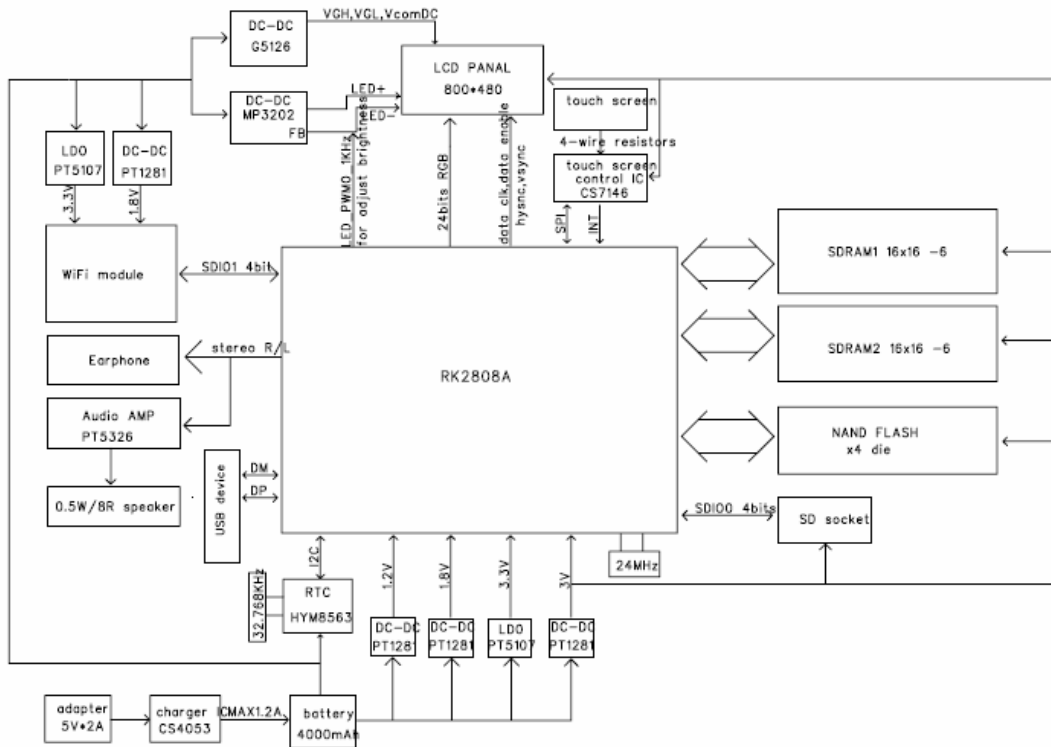


Product Diagram Information

1. Product function introduce

NEXT2, M703, M704, M713 is a **nextbook** or **Android EBOOK** device with touch screen. It has function of visiting internet with WiFi, playing audio and video in NAND flash or SD card, audio recorder, alarm clock, calendar, real-time clock and so on.

2. Structure



2.1 Structure Introduce

The system is consist of SOC (Rockchip RK2808A), one piece of NAND Flash, two pieces of SDRAM, 7" TFT panel(HX-QZ.L.070-355-YF), WiFi module(Samsung SWL2480), TF socket and some power conversions IC.

2.2 Description

When you stir the switch of power to the left and stick about 3 seconds, the system is powered on. When you choose any icon in the GUI of Android using your finger or others, RK2808A first judge what happened and then give it to the ARM or DSP in the core of RK2808A proceeding.

2.3 Power

It can use adaptor of 5V*2A when the system display the battery remain a little of power or exhaust.