

6

5

4

3

2

1

D

D

C

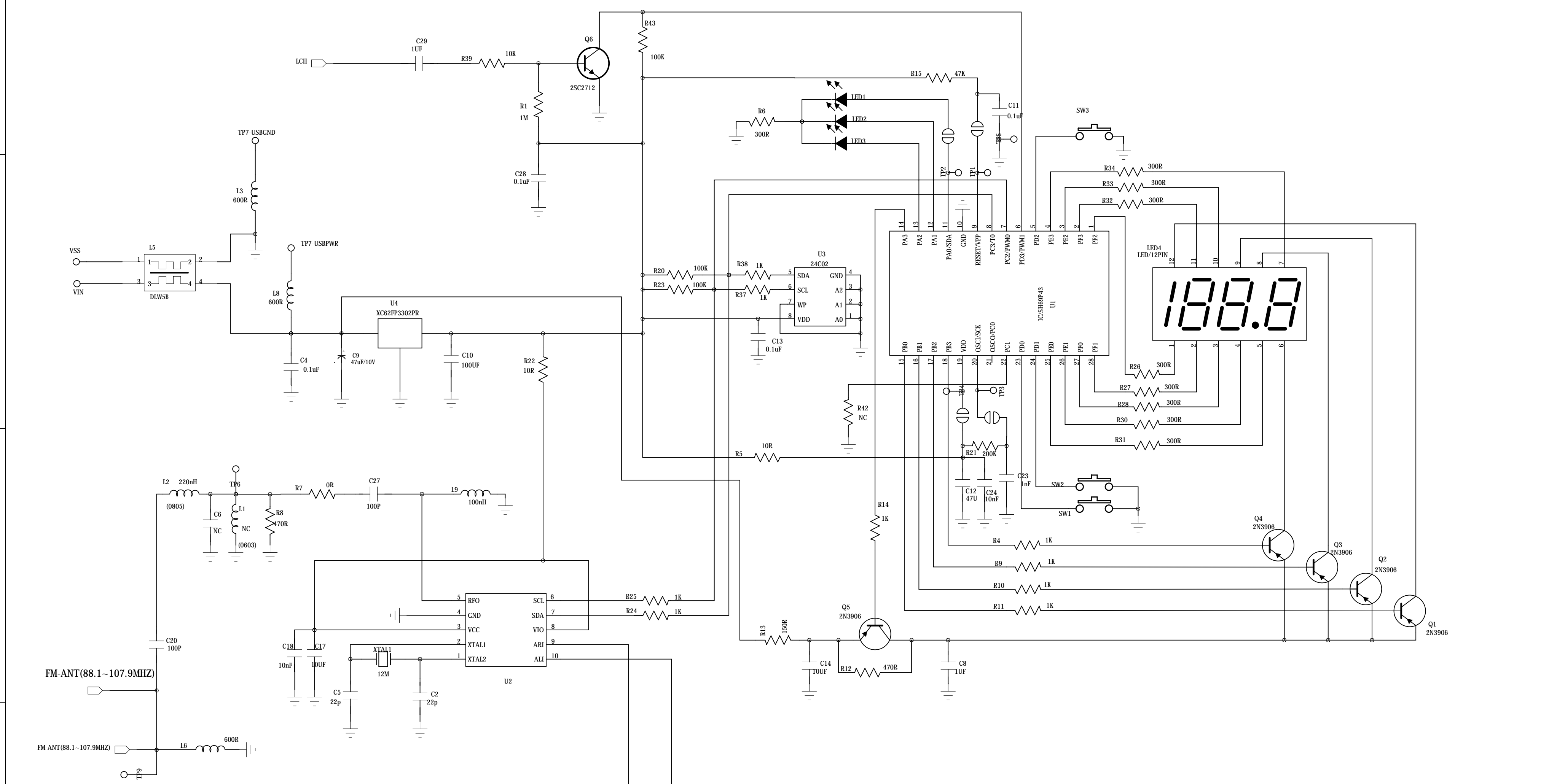
C

B

B

A

A



COMPANY: YIFANG DIGITAL TECHNOLOGIES CO.,LTD		
TITLE: MAIN		
DATE:	MODEL: MT750(QN8027)	REV: V1.0
DRAWN BY:	DRAWING NO:	
CHECKED BY:		
APPROVED BY:	SCALE:	SHEET: 0F 3

6

5

4

3

2

1

D

D

C

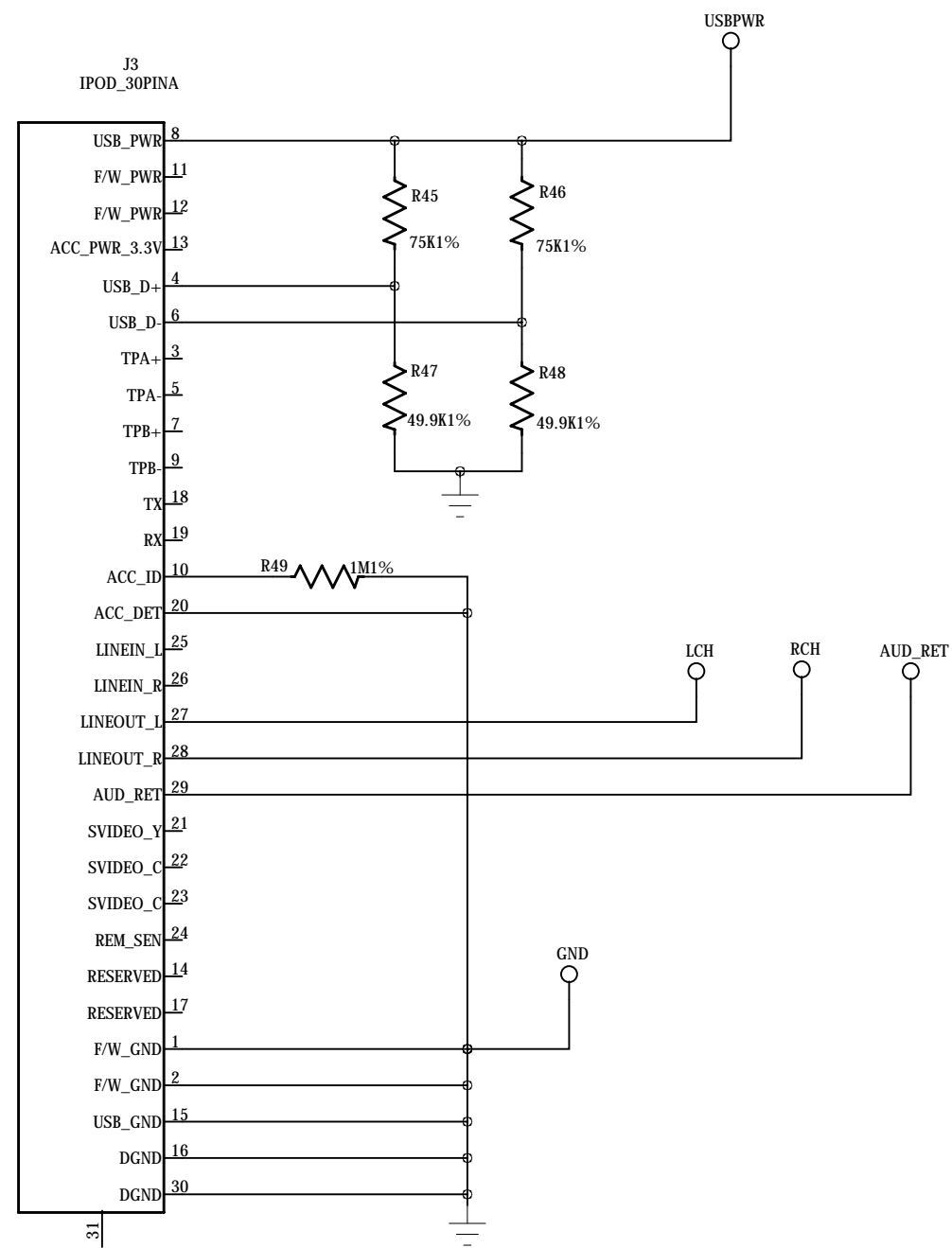
C

B

B

A

A



COMPANY: YIFANG DIGITAL TECHNOLOGIES CO.,LTD			
TITLE: 30PINCON			
DRAWN: <Drawn By>	DATED: <Drawn Date>	CODE: MT750(QN8027)	SIZE: A2
CHECKED: <Checked By>	DATED: <Checked Date>	DRAWING NO: <Drawing Number>	REV: V1.0
QUALITY CONTROL: <QC By>	DATED: <QC Date>	SCALE: <Scale>	
RELEASED: <Released By>	DATED: <Release Date>	SHEET: 2F 3	

6

5

4

3

2

1

D

D

C

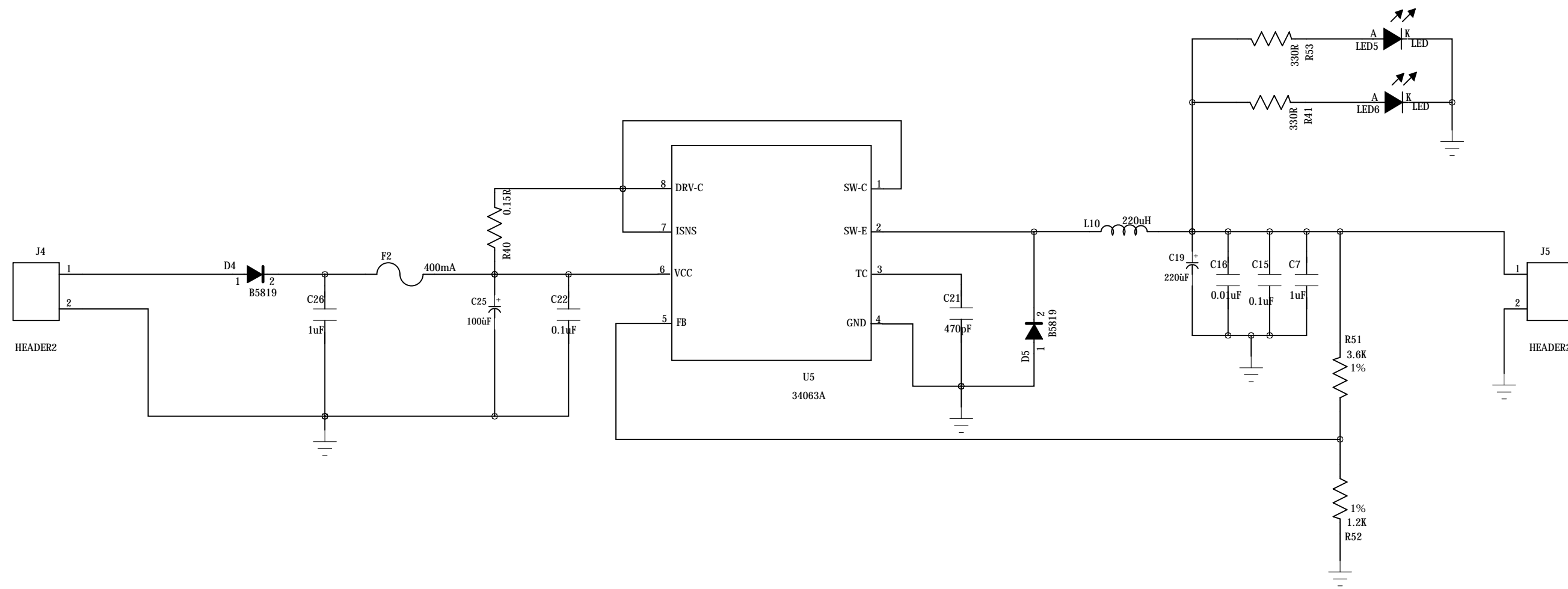
C

B

B

A

A



COMPANY: YIFANG DIGITAL TECHNOLOGIES CO.,LTD

TITLE: Power

DRAWN: <Drawn By>	DATED: <Drawn Date>
CHECKED: <Checked By>	DATED: <Checked Date>
QUALITY CONTROL: <QC By>	DATED: <QC Date>
RELEASED: <Released By>	DATED: <Release Date>

CODE: MT750(QN8027)	SIZE: A2	DRAWING NO: <Drawing Number>	REV: V1.0
------------------------	-------------	---------------------------------	--------------

SCALE: <Scale> SHEET: 3F 3