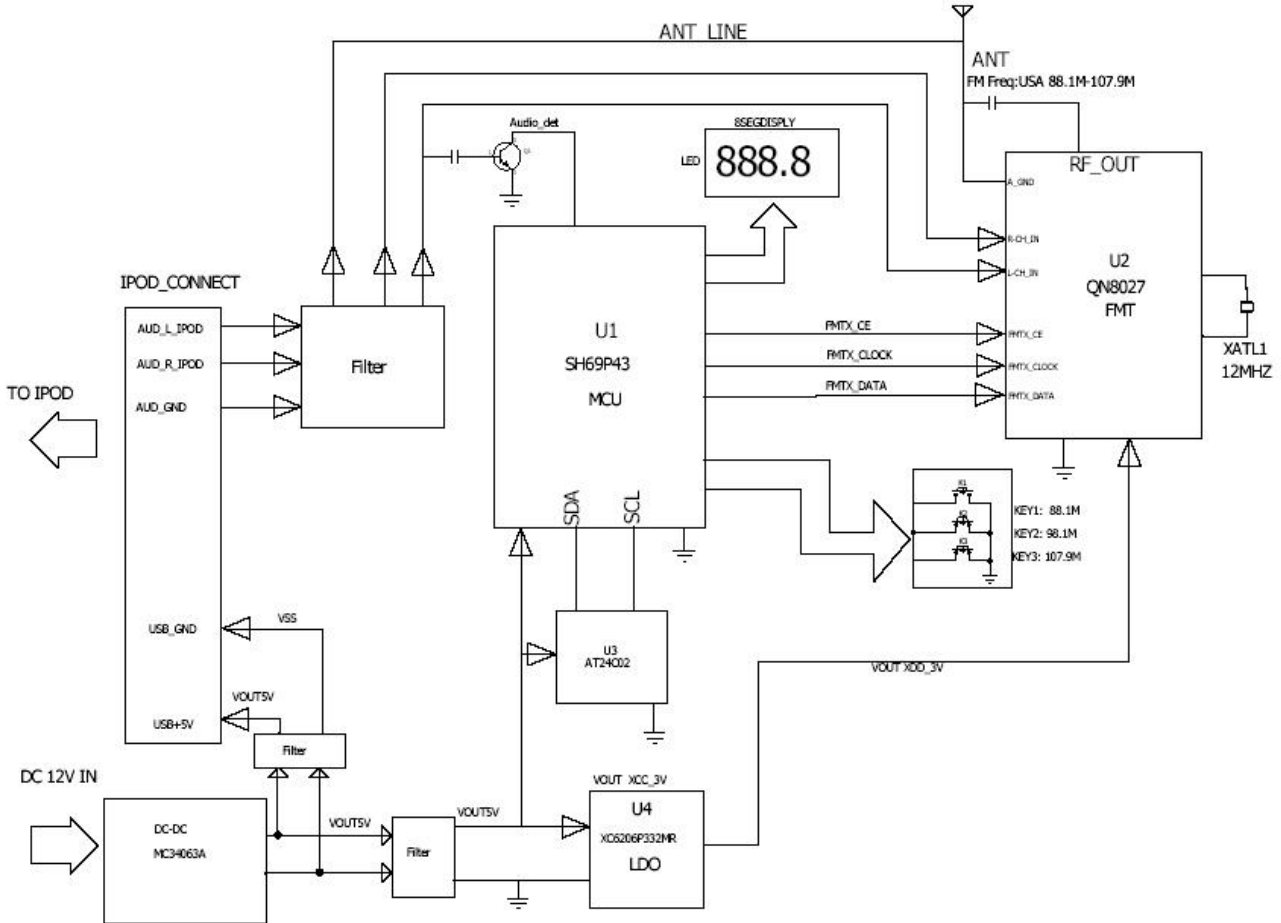


PRODUCT illustrate

1. System introduce

MT750 is a FM transmitter, designed to play the iPod through your car, home, or portable stereo. The FM transmitter function turns on when the Power is connected.



2.1 structure introduce

The system is consist of MCU (SH69P43), DC-DC converter(MC34063A) and FM unit(QN8027).

2.2 Description

When the DC Power is connected, DC-DC converter(MC34063A) convert it to +5V and turns on the MT750, then MCU(SH69P43)turns on FM unit(QN8027), & displays FM frequency on Select Channel Indicator. Audio signal from iPod was processed and controlled via FM unit(QN8027). FM unit QN8027 is a low power stereo FM transmitter, modulate Audio signal (sent from audio processing unit) to RF oscillator, then send to space by one antenna.

2.3 Power

MT750 could get power supply by Auto Power Cord from your car instead of from iPod.