

6

5

4

3

2

1

REVISION RECORD			
LTR	ECO NO:	APPROVED:	DATE:

ANT LINE

ANT
FM Freq:USA 88.1M-107.9M

8SEGDISPLY
LED
888.8

RF_OUT
U2
QN8027
FMT

U1
SH69P43
MCU

IPOD_CONNECT

AUD_L_IPOD
AUD_R_IPOD
AUD_GND

USB_GND

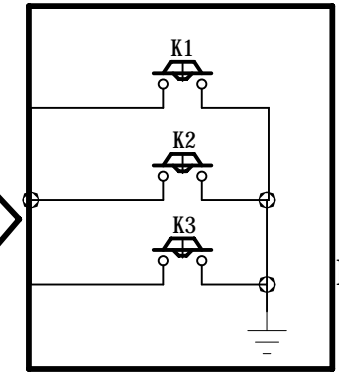
USB+5V

Filter

TO IPOD

FMTX_CE
FMTX_CLOCK
FMTX_DATA

XATL1
12MHZ



KEY1: 88.1M
KEY2: 98.1M
KEY3: 107.9M

U3
AT24C02

U4
XC6206P332MR
LDO

DC 12V IN

DC-DC
MC34063A

Filter

Filter

COMPANY: YIFANG Digital	
TITLE: MT750	
DATE: 2009-10-16	REV: 00
DRAWN BY:	DRAWING NO:
CHECKED BY:	SCALE:
APPROVED BY:	SHEET: OF 1 1

DATE: 2009-10-16
DRAWN BY:
CHECKED BY:
APPROVED BY:

D

D

C

C

B

B

A

A